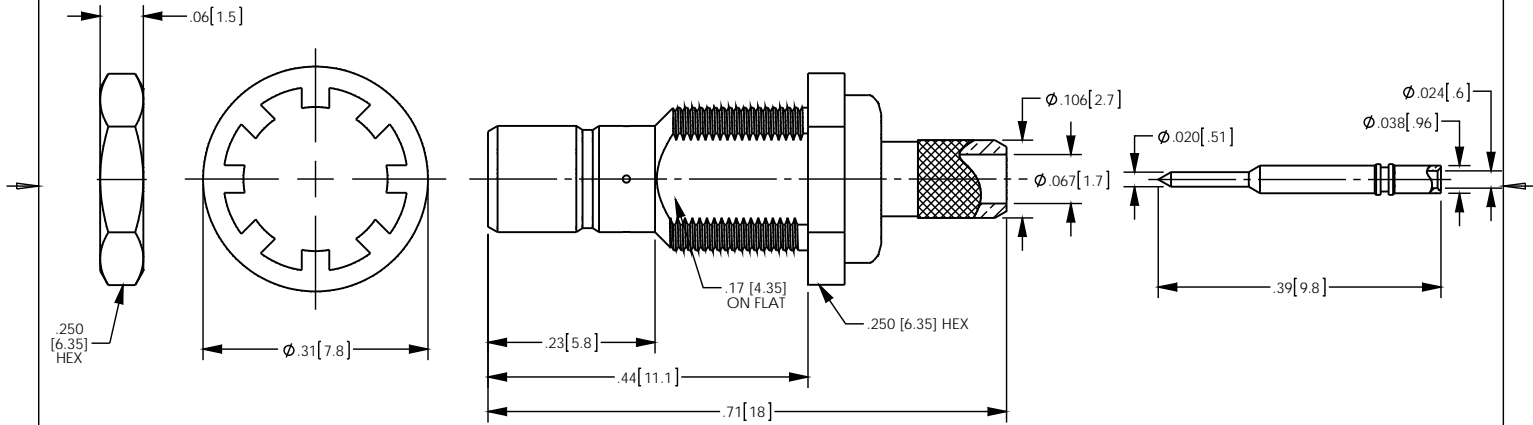
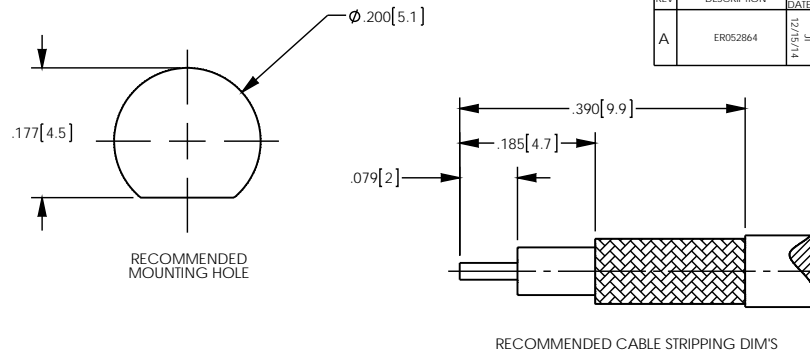


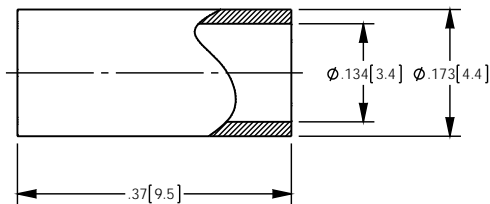
NOTES: UNLESS OTHERWISE SPECIFIED

1. FOR USE WITH RG-316 U/D OR EQUIVALENT.
2. MATERIAL SPECIFICATIONS:  
INSULATORS: PTFE, COLOR - NATURAL  
FERRULE: COPPER  
ALL OTHER METAL PARTS: BRASS
3. FINISH SPECIFICATIONS:  
CONTACT: .000003 MIN THICK GOLD OVER .000050 MIN THICK NICKEL  
ALL OTHER METAL: THIN GOLD OVER .000050 MIN THICK COPPER
4. ELECTRICAL SPECIFICATIONS:  
IMPEDANCE: 50 OHMS
5. CONTACT, FERRULE, LOCK WASHER, AND HEX NUT SHIPPED LOOSE.
6. CRIMPED FERRULE (.151 HEX) AND SOLDER TO CONTACT.

REV	DESCRIPTION	BY DATE	APPD
A	ER052864	JL 12/15/14	SK



CATALOG P/N: 1021A204MS



PER ASME Y14.5M-1994 UNLESS OTHERWISE SPECIFIED, DIMENSIONS ARE IN INCHES (MM)			
TOLERANCES: DECIMAL: .XX [XX] ± .01 [0.3] : .XXX [XXX] ± .005 [0.13] : .XXXX [XXXX] ± .0005 [0.013] : .XXXXX [XXXXX] ± .0001 [0.0025]			
ANGLES: ± 2°      SCALE: 5:1			
CUSTOMER SALES DRAWING		THIRD ANGLE	
DRAWN: JL		DATE: 12/15/2014	
APPROVED: MS		DATE: 12/15/14	

 <b>WINCHESTER</b> Winchester Electronics Corporation ELECTRONICS 199 Park Road Ext Suite 104 Middlebury, Connecticut 06762	
SMB CRIMP JACK FOR RG-316 U/D CABLE	
A	SD1021A204MS
SHT	OF
1	1
REV	A