

WT32-ETH01

Datasheet

Version 1.1

2019.10.23

Disclaimer and Copyright Notice

Information in this document, including URL references, is subject to change without notice.

THIS DOCUMENT IS PROVIDED AS IS WITH NO WARRANTIES WHATSOEVER, INCLUDING ANY WARRANTY OF MERCHANTABILITY, NON-INFRINGEMENT, FITNESS FOR ANY PARTICULAR PURPOSE, OR ANY WARRANTY OTHERWISE ARISING OUT OF ANY PROPOSAL, SPECIFICATION OR SAMPLE. All liability, including liability for infringement of any proprietary rights, relating to use of information in this document is disclaimed. No licenses express or implied, by estoppel or otherwise, to any intellectual property rights are granted herein.

The WiFi Alliance Member Logo is a trademark of the WiFi Alliance.

All trade names, trademarks and registered trademarks mentioned in this document are property of their respective owners, and are hereby acknowledged.

Amendment record

Version	Changed by	Time	Reason	Details
V1.0	Mark	2019.10.21	Original	Create documentation
V1.1	linfuliang	2019.10.23	Perfect document ation	Add product features section

Contents

WT32-ETH01	1
1. Overview.....	6
2. Characteristics.....	6
3. Hardware Specifications.....	7
3.1 System Block Diagram.....	7
3.2 Physical Diagram.....	8
3.3 Pin Description	8
3.4 Power Characteristics	10
3.4.1 Power Supply Voltage	10
3.4.2 Power Supply Mode.....	10
4. Description for Use	10
4.1 Power-on Description	10
4.2 Indicator Description	10
4.3 Description of How to Use	10
4.4 Description of Network Port Operating Indicator	10
5. Interface Description.....	11
6. Product Function.....	11
6.1 Default Parameter.....	11
6.2 Basic Function.....	11
6.2.1 Set IP/ subnet mask / gateway.....	11
6.2.2 Restore factory settings	12
6.2.3 Firmware upgrade.....	12
6.2.4 AT command function setting.....	13
6.2.5 Data transmission function.....	13
6.3 socket Function	13
6.3.1 TCP Client.....	13
6.3.2 TCP Server.....	13
6.3.3 UDP Client.....	13
6.3.4 UDP Server	14

6.4 Serial Port Function	14
6.4.1 AT command settings	14
6.4.2 Transmit Serial Port Data	14
6.5 Bluetooth Function	14
6.5.1 Transmit Bluetooth Data	14
6.6 Wifi Function.....	14
6.6.1 Internet Access	14
6.7 Wired Network Access Function	14
6.7.1 Internet Access	14

1. Overview

WT32-ETH01 is an embedded serial port to Ethernet module based on ESP32 series designed by Wireless-Tag. The module integrates an optimized TCP/IP protocol stack, making it easy for users to complete the networking of embedded devices, greatly reducing development time costs. In addition, the module is compatible with semi-welding pad and connector through-hole design, and the board width is a general width, so the module can be directly welded on the board, can also be welded to the connector, and can also be used on the bread board, which is convenient for users to use in different scenes.

ESP32 series IC is an integrated 2.4GHz Wi-Fi and Bluetooth dual-mode SOC, with ultra-high RF performance, stability, versatility and reliability, as well as ultra-low power consumption.

2. Characteristics

Table-1 Product Specifications

Categories	Items	Product specifications
Wi-Fi	RF certification	FCC/CE/RoHS
	Protocols	802.11 b/g/n/e/i (802.11n, up to 150 Mbps)
		A-MPDU and A-MSDU aggregation and 0.4_s guard interval support
Frequency range	2.4~2.5 GHz	
Bluetooth	Protocols	Bluetooth v4.2 BR/EDR and BLE specification
	Radio	NZIF receiver with -97 dBm sensitivity
Hardware	Network port specification	RJ45, 10/100Mbps, cross straight adaptive
	Serial port baud rate	80~5000000
	On-board Flash Memory	32Mbit
	Operating voltage	5V or 3.3V power supply(choose one of them)
	Operating current	Average: 80mA
	Power supply current	Min: 500 mA
	Operating temperature range	-40°C~+85°C
	Ambient temperature range	Normal temperature
	Package	Half pad / connector through hole connection(optional)
Software	Wi-Fi mode	Station/softAP/SoftAP+station/P2P

Wi-Fi Security	WPA/WPA2/WPA2-Enterprise/WPS
Encryption	AES/RSA/ECC/SHA
Firmware upgrade	Remote OTA upgrade over the network
Software development	SDK for user secondary development
Network protocols	IPv4, TCP/UDP
IP acquisition method	Static IP, DHCP(Default)
Simple transmission mode	TCP Server/TCP Client/UDP Server/UDP Client
User configuration	AT instruction set

3. Hardware Specifications

3.1 System Block Diagram

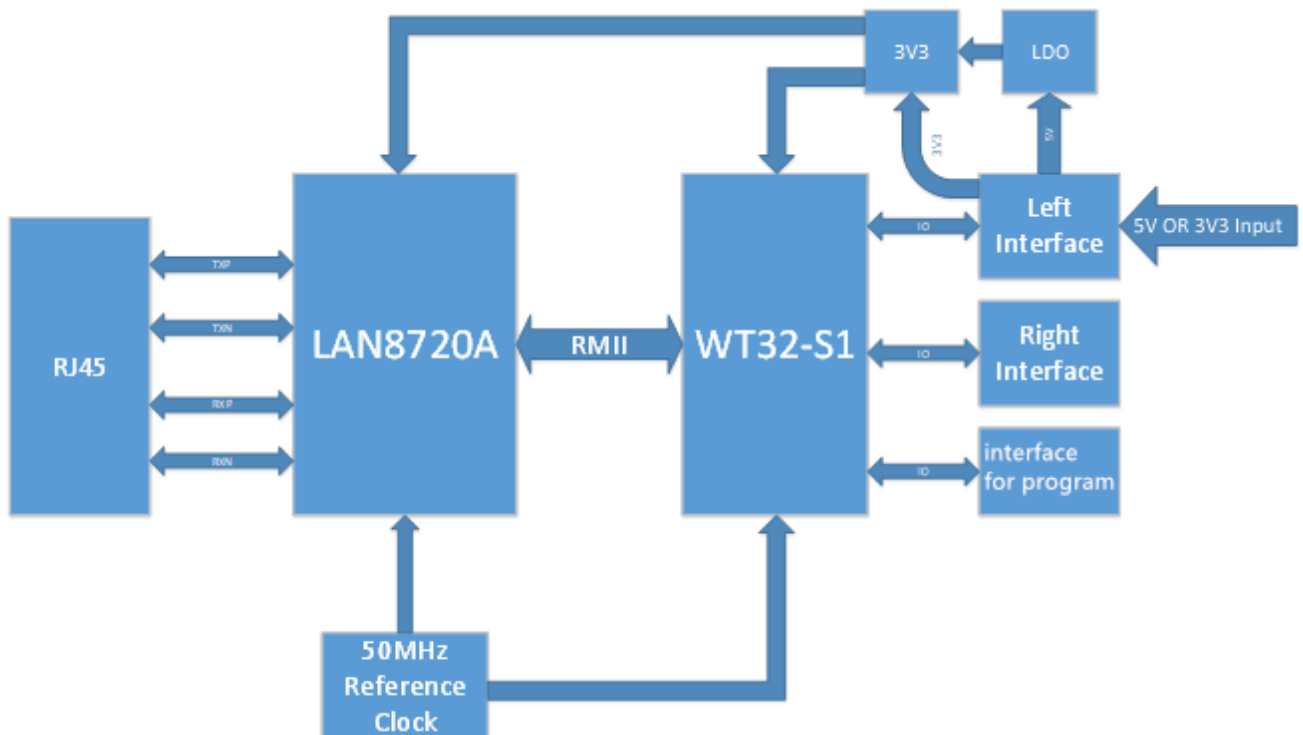


Figure-1 System Block Diagram

3.2 Physical Diagram

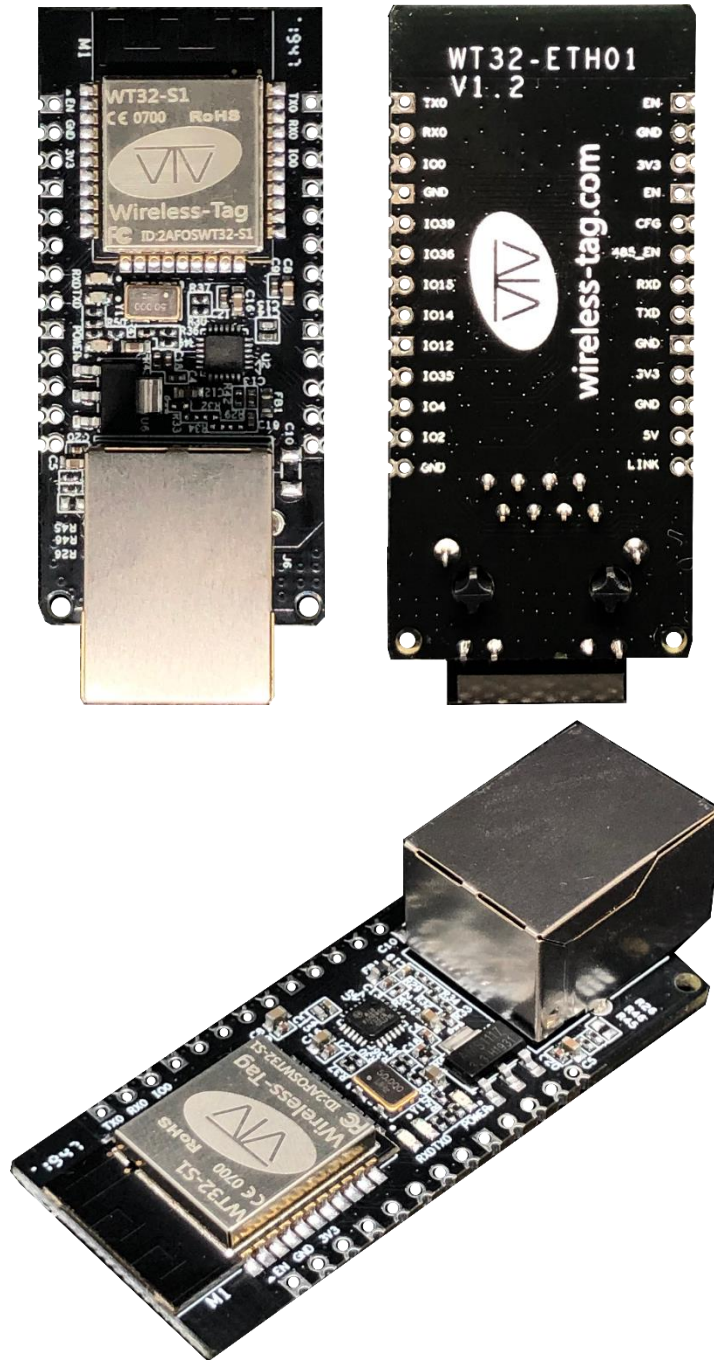


Figure -2 Physical Diagram

3.3 Pin Description

Table-1 Debug Burning Interface

Pin	Name	Description
1	EN ¹	Reserved debug burning interface; Enable signal, active high

2	GND	Reserved debug burning interface; GND
3	3V3	Reserved debug burning interface; 3V3
4	TXD	Reserved debug burning interface; IO1, TXD0
5	RXD	Reserved debug burning interface; IO3, RXD0
6	IO0	Reserved debug burning interface; IO0

Table-2 Module IO Description

Pin	Name	Description
1	EN ¹	Enable signal, active high
2	CFG	IO32, CFG
3	485_EN	Enable pin of IO33, RS485
4	RXD	IO5, RXD2
5	TXD	IO17, TXD2
6	GND	GND
7	3V3 ²	3V3 power supply
8	GND	GND
9	5V ²	5V power supply
10	LINK	Network connection indicator pin
11	GND	GND
12	IO39 ³	IO39, only supports input
13	IO36 ³	IO36, only supports input
14	IO15	IO15
15	IO14	IO14
16	IO12	IO12
17	IO35	IO35, only supports input
18	IO4	IO4
19	IO2	IO2
20	GND	GND

Note 1: The module enables high levels by default.

Note 2: 3V3 and 5V power supply, the two can only choose one ! ! !

Note 3: IO39, IO35 and IO36, only supports input.

3.4 Power Characteristics

3.4.1 Power Supply Voltage

The power supply voltage of the module can be 5V or 3V3, and only one of them can be chosen.

3.4.2 Power Supply Mode

Users are free to choose according to their needs:

- 1) Through hole (welding row needle):
 - The power supply is connected by DuPont line.
 - The power supply is connected by bread board.
- 2) Semi-pad (directly welded on the board): the user board supply.

4. Description for Use

4.1 Power-on Description

If the DuPont line is used: find the 3V3 or 5V power input, connect the corresponding voltage, and the indicator (LED1) is on, indicating that the power-on is successful.

4.2 Indicator Description

- LED1: The power indicator, the power on is normal, the light is on;
- LED3: Serial port indicator, when RXD2 (IO5) has data flow, the light is on.
- LED4: Serial port indicator, when TXD2 (IO17) has data flow, the light is on.

4.3 Description of How to Use

Users can choose three ways of use according to their own needs:

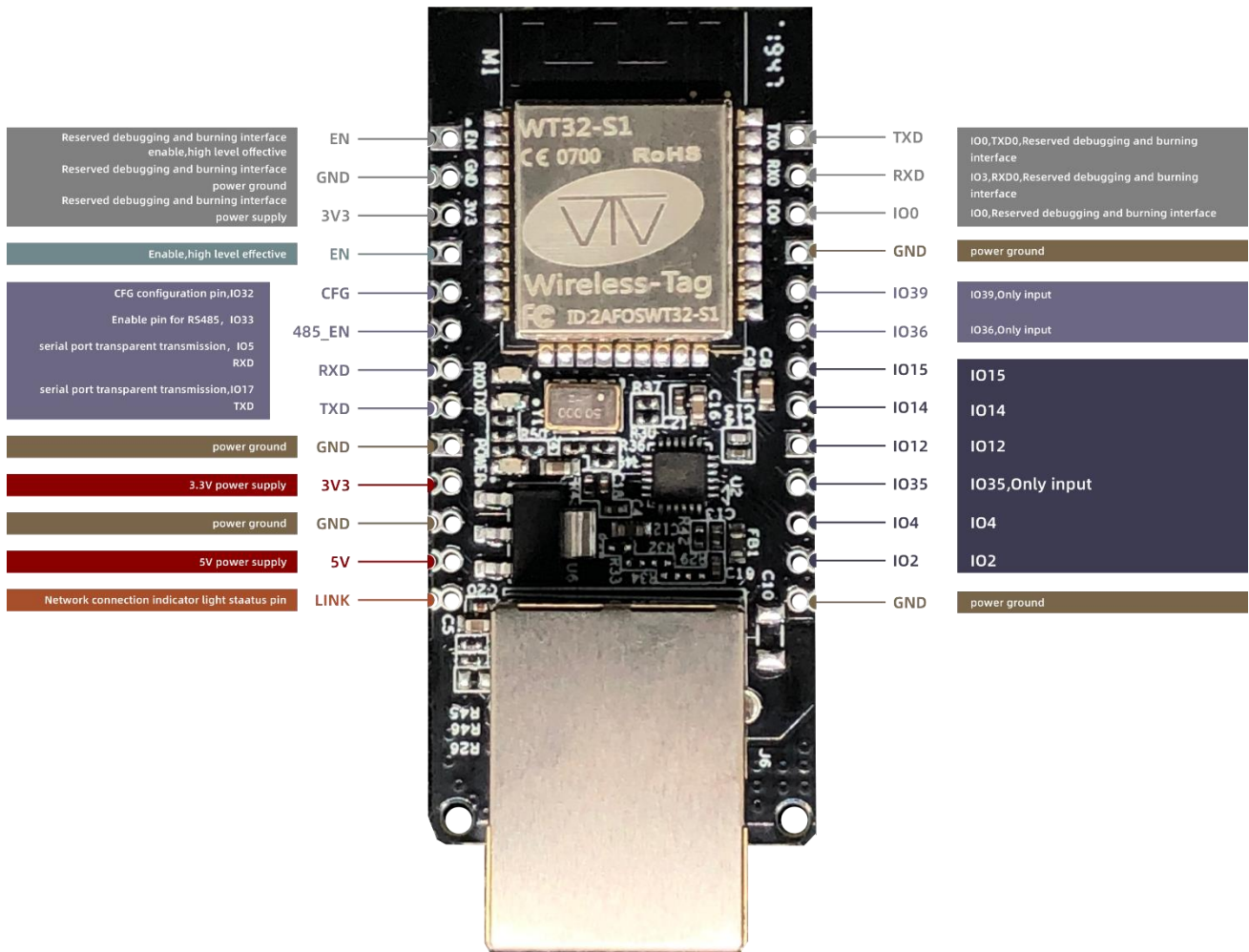
- 1) Through hole (welding pin): connected by DuPont line;
- 2) Through hole (welding pin): put on the bread board for use;
- 3) Semi-pad: users can directly weld the module on their own board.

4.4 Description of Network Port Operating Indicator

Table-3 Description of Network Port Operating Indicator

Network port indicator	Function	Description
Green LED	Connection status indication	When connected to the network correctly, the green LED is on.
Yellow LED	Data indication	The module flashes yellow LED when receiving or sending data, including receiving webcast packets.

5. Interface Description



6. Product Function

6.1 Default Parameter

Items	Contents
Serial port baud rate	115200
Serial port parameters	None/8/1
Transmission channel	Serial Ethernet transmission channel

6.2 Basic Function

6.2.1 Set IP/ subnet mask / gateway

1. The IP address is the identity representation of the module in the local area network, which is unique in the local area network, so it cannot be repeated with other devices in the same local area network.

The IP address of the module is available in both static IP and DHCP/Dynamic IP.

a. Static IP

Static IP needs to be manually set by users. Write IP, subnet mask and gateway at the same time in the process of setting. Static IP is suitable for scenarios where IP and devices need to be counted and corresponded one to one. Pay attention to the correspondence of IP address, subnet mask and gateway when setting up. Using static IP requires setting up each module and ensuring that IP addresses are not duplicated with other network devices within the local area network.

b. DHCP/ Dynamic IP

The main function of DHCP/ dynamic IP is to dynamically obtain IP address, Gateway address, DNS server address information from the gateway host, so as to avoid the tedious steps of setting IP address. It is suitable for scenarios where there is no requirement for IP and there is no requirement for IP to correspond to modules one by one.

Note: The module cannot be set to DHCP, when directly connected to the computer. General computers do not have the ability to assign IP addresses. If the module is set to a DHCP directly connected computer, it will cause the module to wait for an IP address to be assigned all the time, which in turn will cause the module to fail to transmit properly. The module defaults to static IP:192.168.0.7.

2. The subnet mask is mainly used to determine the network number and host number of the IP address, indicate the number of subnets, and determine whether the module is in the subnet. The subnet mask must be set. Our commonly used Class C subnet mask: 255.255.255.0, the network number is the first 24 bits, the host number is the last 8 bits, the number of subnets is 255, and the module IP is in the range of 255, then we think that the module IP is in this subnet.
3. A gateway is the network number of the network where the module's current IP address is located. If a device such as a router is connected to an external network, the gateway is the router IP address. If the setting is wrong, the external network cannot be properly connected, if you do not connect to such devices as routers, you do not need to set, the default can be.

6.2.2 Restore factory settings

1. AT command to restore factory settings: restore factory settings through AT+ RESTORE.
2. Hardware mode to restore factory settings: CFG pin grounding, restart the module.

6.2.3 Firmware upgrade

Module upgrade firmware way is OTA remote upgrade, by upgrading firmware, you can get more application functions.

- a. Firmware upgrades can connect to the network through a wired network or wifi.
- b. Operate GPIO2 ground, restart the module and enter OTA upgrade mode.
- c. Upgrade complete, disconnect GPIO2 to the ground connection, restart the module, module into normal operation mode.

OTA firmware upgrade instructions description: Downloading firmware, serial port TXD indicator flashing quickly; Download is completed and is being upgraded, and the serial port TXD indicator is always on. The upgrade was successful, and the serial port TXD and RXD indicators were always on; Upgrade failed serial port TXD indicator flashing slowly.

6.2.4 AT command function setting

The user can set the function of the module by entering the AT command through the serial port. For more information, please refer to the ESP32 wired module AT command set.

6.2.5 Data transmission function

The module has four data transmission ports: serial port, wifi, Ethernet and Bluetooth.

Through the AT command, the user can make two combinations of the four data ports for data transmission.

Set / query the transparent channel of the module through the AT+PASSCHANNEL command. The setup is complete and the module needs to be restarted for it to take effect.

6.3 socket Function

The socket mode of operation of the module is divided into TCP Client, TCP Server, UDP Client, and UDP Server, which can be set up by AT commands.

For AT command operation, please refer to the esp32 wired module AT command routine v1.2.

6.3.1 TCP Client

1. TCP Client provides client connections to TCP network services. Initiates the connection request to the server and establishes the connection, which is used to realize the interaction between the serial port data and the server data. According to the relevant provisions of TCP protocol, TCP Client has the difference between connection and disconnection, so as to ensure the reliable exchange of data. It is usually used for the data exchange between the device and the server, and it is the most commonly used way of network communication.
2. When the module is connected to TCP Server as TCP Client, it is necessary to pay attention to parameters such as the target IP/domain name and target port number. The target IP can be a local device in the same local area network, or an IP address of a different local area network or an IP across a public network, if the server is connected to a cross-public network, the server is required to have a public IP.

6.3.2 TCP Server

It is usually used to communicate with TCP clients in the local area network. It is suitable for scenarios where there is no server in the local area network and multiple computers or mobile phones request data from the server. There is the same difference between connection and disconnection as TCP Client to ensure the reliable exchange of data.

6.3.3 UDP Client

UDP Client is a connectionless transport protocol that provides simple and unreliable transaction-oriented information delivery services. Without connection establishment or disconnection, data can be sent to each other only by defining IP and ports. It is usually used in data transmission scenarios where the packet loss rate is not required, the packet is small and the transmission frequency is fast, and the data is transmitted to the specified IP.