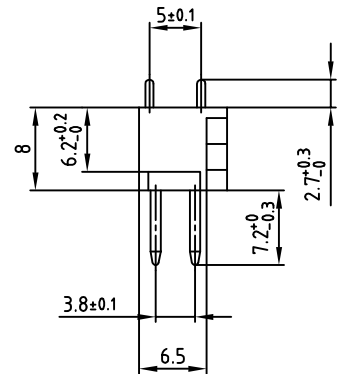
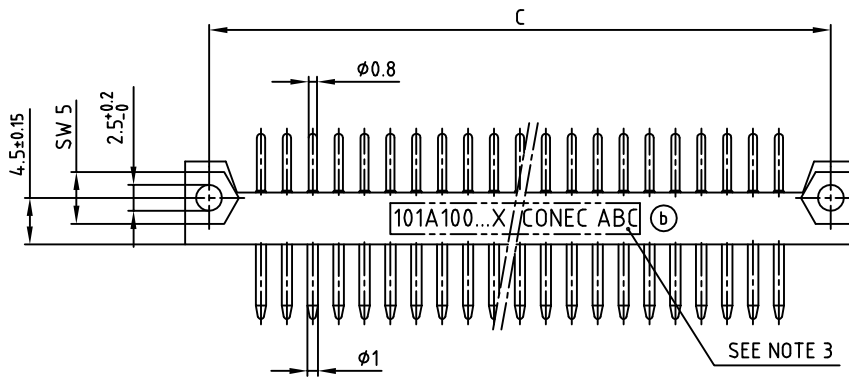
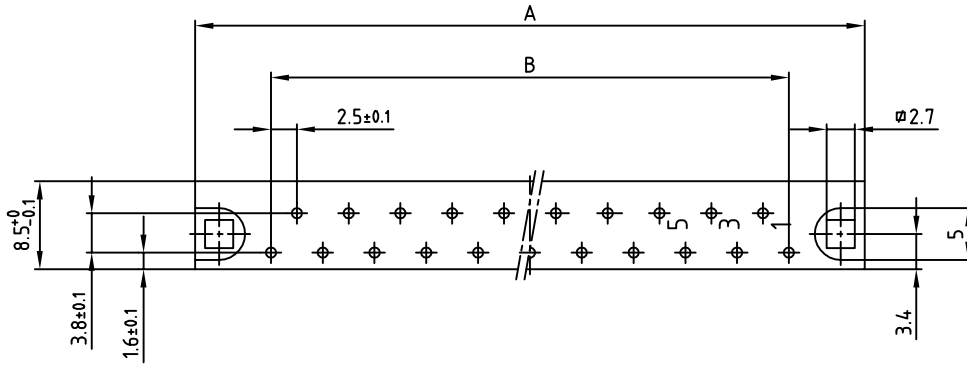
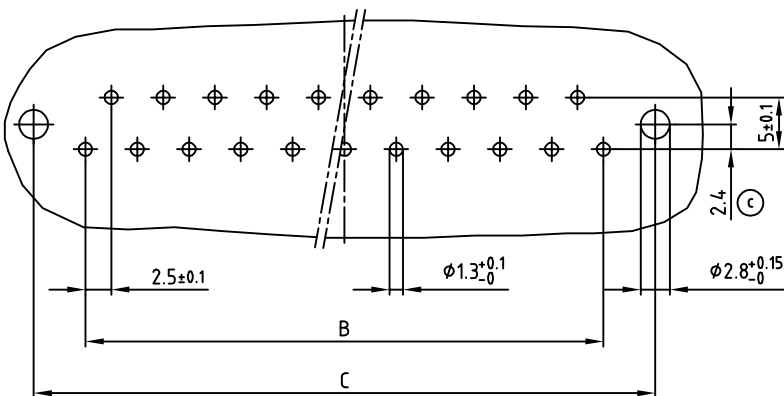


used for: DIN 41617

Part-No.	No. of pos.	A ±0.2	B ±0.1	C ±0.1
101A10019X	13	44.6	12x2.5=30	40
101A10029X	21	64.6	20x2.5=50	60
101A10039X	31	89.6	30x2.5=75	85



P.C.B.-HOLE DRILLINGS
(P.C.B. TOP SIDE)



NOTES:

- INSULATOR: PC GF UL 94 V-1, GREY (b)
- CONTACTS: COPPER ALLOY
PLATING: GOLD FLASH over NICKEL
- CONNECTOR IS PART MARKED: PART-NÖ. CONEC ABC

RoHS compliant

THIS DRAWING MAY NOT BE COPIED OR REPRODUCED IN ANY WAY, AND MAY NOT BE PASSED ON TO A THIRD PARTY, WITHOUT WRITTEN PERMISSION. OWNERSHIP AND COPYRIGHT OF CONEC GmbH DO NOT ALTER CAD DRAWING BY HAND

rev.	description	date	name
1 x c	Ä6751	12.06.2017	Lehm. d-old
1 x b	Ä6154	08.11.2011	K.H.
a	Original		

tolerance dim. in mm

2002	date	name
drawn	22.11.	Parei
appd.	22.11.	Kühle
norm	DIN 41617	

CONEC®

scale: 2:1
material: SEE NOTES

title: MALE CONNECTOR
13-31pos. SPECIAL INSULATOR
with straight solder pins

dwg no: 10K1A003 DIN-A 3 sh:1/1

part no: SEE TABLE