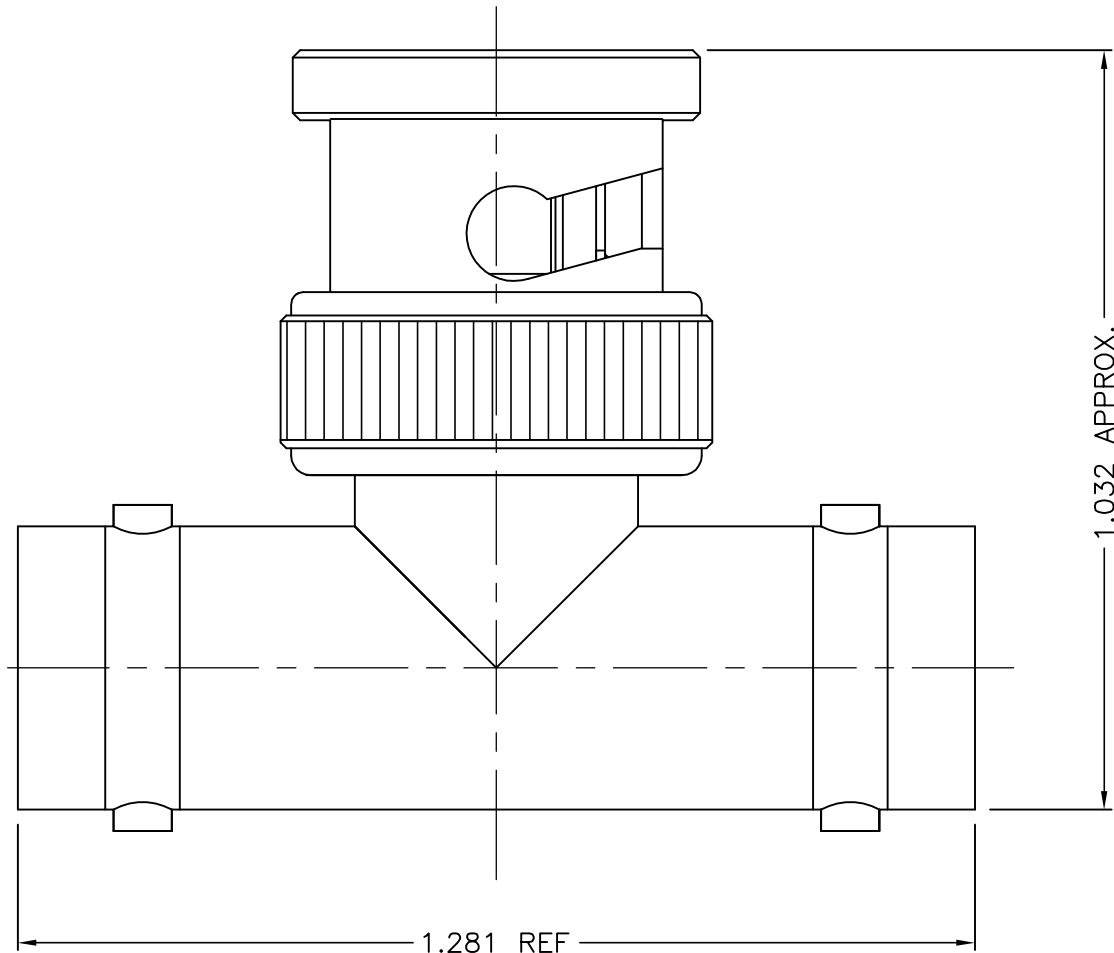




1030-000-A000-4



**NOTES:**

1. ASSEMBLED CONNECTOR INTERFACE IS DESIGNED IN ACCORDANCE WITH MIL-STD-348.
2. MATERIAL: CONTACT (M) - BRASS PER ASTM B16.  
CONTACT (F), SPRING WASHER - BERYLLIUM COPPER PER ASTM B196.  
INSULATOR - TEFLON PER ASTM D1710  
GASKET - SILICONE RUBBER PER ZZ-R-765  
ALL OTHER PARTS - BRASS PER ASTM B16
3. FINISHES: CONTACTS - GOLD PLATE PER MIL-G-45204  
SPRING WASHERS - NICKEL PLATE PER QQ-N-290  
ALL OTHER METAL PARTS - SILVER PLATE PER QQ-S-365

M55339/17-00274

DELTA ELECTRONICS MFG. CORP. Beverly, MA 01915

TITLE: "BNC" JACK-PLUG-JACK TEE ADAPTER

UNLESS OTHERWISE SPECIFIED: TOLERANCES: 3 PLACES = ±.005, 2 PLACES = ±.02, ANGLES = ±1/2°, SURFACE FINISH = 63	-	OUTLINE	5/29/03
	ALT.	REVISIONS	DATE

Drawn by BJM	Scale 2/1	Ckd. by	Engr Appd	FILE NAME: 1030000A000-004T
5/29/03				

THESE DRAWINGS AND SPECIFICATIONS ARE THE PROPERTY OF DELTA ELECTRONICS MFG CORP. AND SHALL NOT BE REPRODUCED, OR COPIED OR USED AS THE BASIS FOR THE MANUFACTURE OR SALE OF APPARATUS OR DEVICES WITHOUT THEIR EXPRESS WRITTEN CONSENT.

CODE IDENT.-00795 1030-000-A000-4