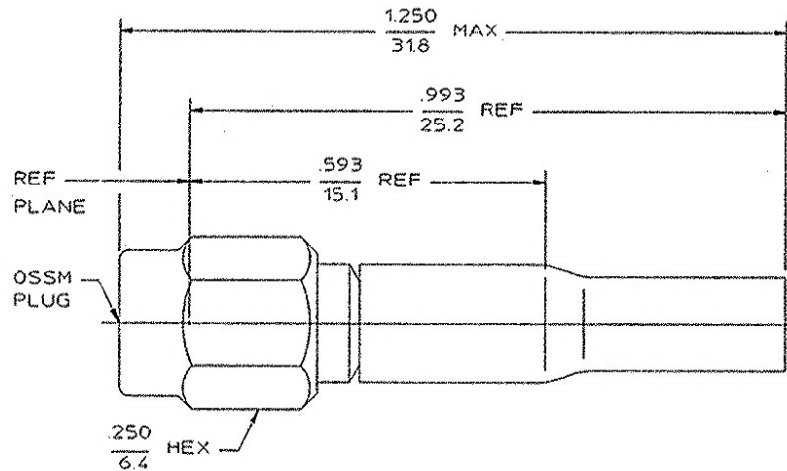


DESIGNED FOR USE WITH	RG-174/U OR EQUIVALENT
CABLE ENTRY DIAMETER	MINIMUM
CONTACT	.023
HOUSING	.064
FERRULE	.109

REVISIONS		DATE	APPROVED
REV	DESCRIPTION		
01 ₃	REVISED	02/10/95	<i>AD</i>



COPY IN PUERTO RICO

HOUSING COUPLING NUT	STAINLESS STEEL PER ASTM-A484 AND ASTM-A582, TYPE 303	GOLD PLATE PER MIL-G-45204
DIELECTRIC	TFE FLUOROCARBON PER ASTM-D-1457	N/A
CENTER CONTACT	BERYLLIUM COPPER PER ASTM-B-196 OR ASTM-B-197, ALLOY C17300, CONDITION H	GOLD PLATE PER MIL-G-45204
RETAINING RING	BERYLLIUM COPPER PER ASTM-B-194, ALLOY C17200, CONDITION H	N/A
GASKET	SILICONE RUBBER PER ZZ-R-765	N/A
SHRINK TUBING	HEAT SHRINKABLE POLYOLEFIN COMPOUND MIL-I-23053/4	N/A
FERRULE	COPPER OR BRASS ALLOY ROCKWELL F65 MAXIMUM	GOLD PLATE PER MIL-G-45204
COMPONENT	MATERIAL	FINISH

ELECTRICAL
Nominal Impedance (Ohms) 50
Frequency Range (GHz) DC to 12.4
Volt Rating (VRMS MAX)
@ Sea Level 250
VSWR 1.025 ±.002 (1GHz)
Insertion Loss (dB MAX) .06/√(GHz)
RF Leakage (dB MIN) N/A
Corona, 70,000 Ft (VRMS MIN) 190
Dielectric Withstanding Voltage
(VRMS MIN) @ Sea Level 750
Contact Resistance (MHOHMS MAX)
Center Contact 30
Outer Contact 20
Cable to Housing .05
RF High Potential @ Sea Level
(VRMS MIN @ 5 MHz) 500
IR (Megohms MIN) 5,000

MECHANICAL
Interface Dimensions MIL-STD-376A, Fig. 319.1
Recommended Mating
Torque 5 in-lbs
Mating Characteristics
Insertion (MAX Lbs) N/A
Withdrawal (MIN Oz) N/A
Force to Engage and
Disengage (In-Lbs MAX) 2.0
Center Contact Captivation
Axial (Lbs) 6.0
Radial (In-Oz) N/A
Cable Retention
Axial Force (Lbs MIN) 30
Torque (In-Oz) N/A
Weight (Grams) TBD

ENVIRONMENTAL
Temperature Rating -65°C to +165°C
Vibration MIL-STD-202, Method 204, Condition D
Shock MIL-STD-202, Method 213, Condition I
Thermal Shock MIL-STD-202, Method 107, Condition B, Except High Temp +85°C
Moisture Resistance MIL-STD-202, Method 106
Corrosion - MIL-STD-202, Method 101, Condition B, 5% salt spray
.XXX = In
XX.X = mm

UNLESS OTHERWISE SPECIFIED DIMENSIONS ARE IN INCHES	DRAWN BY B.W	DATE 4/26/68
FRAC. DEC. ANGLES	CHECKED BY P.R.B.	4/26/68
1/64 .005 ° 1'	APPROVED BY	4/26/68
These drawings and specifications are the property of M/A COM Interconnect Div. and shall not be reproduced or copied or used in whole or in part as the basis for the manufacture or sale of a item(s) without written permission.		
USE ASSY PROCEDURE		
10-010		
NO. AP.		

		M/A-COM, Inc.	
		Waltham, MA 02254	
TITLE OSSM STRAIGHT CABLE PLUG SOLDER ATTACHMENT			
SIZE B	CODE IDENT NO 26805	1031-5002-00	REV 01 ₃
SCALE 5 : 1		SHEET 1 OF 1	

CUSTOMER Tyco PART # 1045481
 SHEET 1 of 1 REV 0