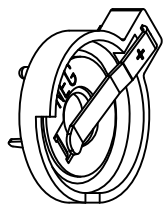
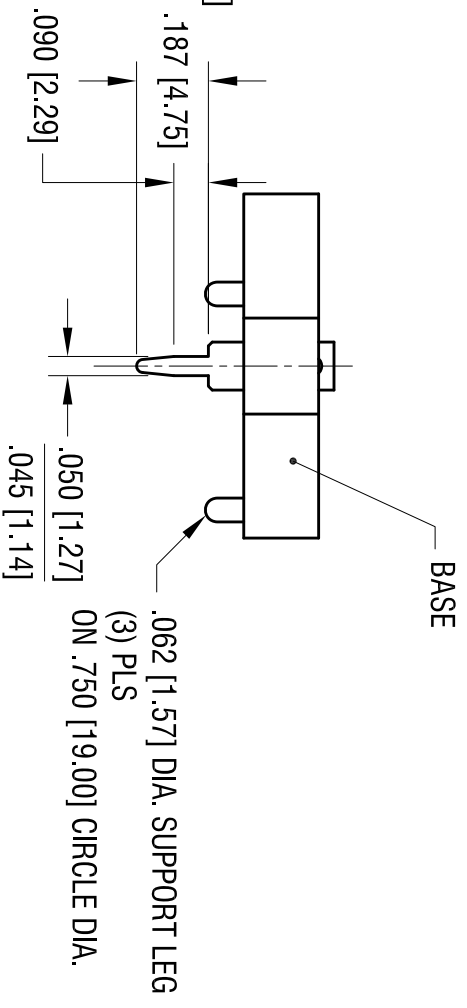
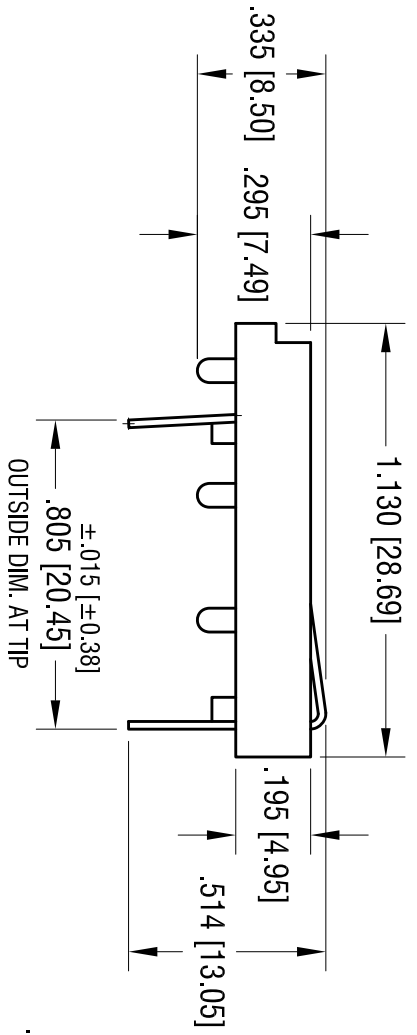
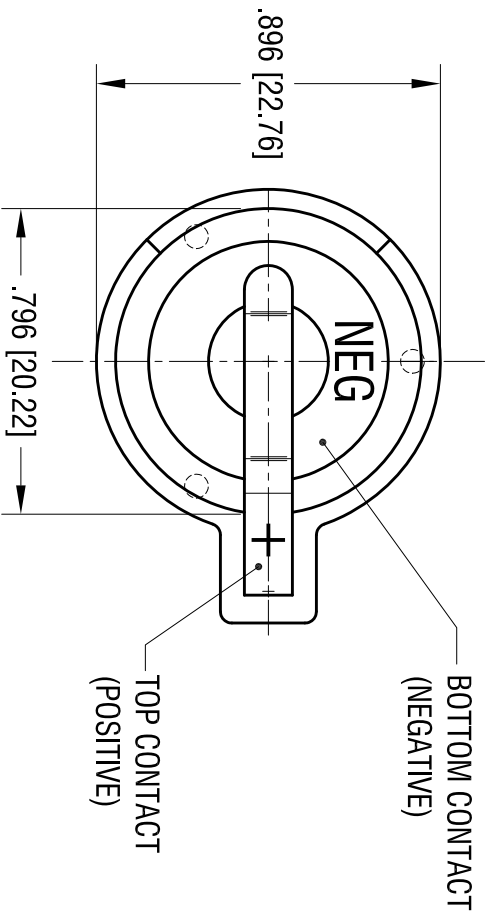
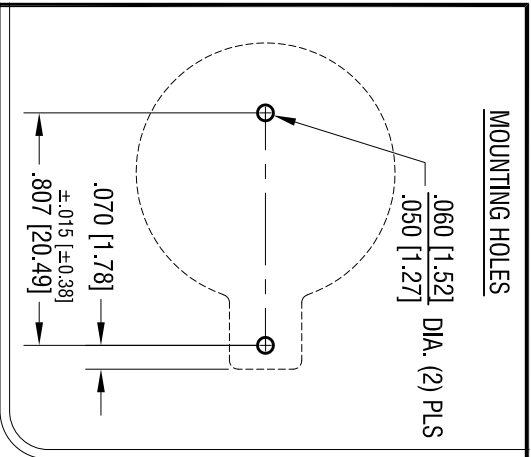


| DATE | DESCRIPTION | REV. |
|---------|--------------------------|------|
| 9.20.04 | CHANGE AS PER ECN 04-110 | F |
| 11.2.11 | CHANGE AS PER ECN 11-142 | G |



ACTUAL SIZE

THIS DOCUMENT IS THE PROPERTY OF KEYSTONE ELECTRONICS CORP. AND SHALL NOT BE REPRODUCED, DISTRIBUTED OR USED AS A BASIS FOR MANUFACTURE WITHOUT PRIOR WRITTEN PERMISSION FROM KEYSTONE ELECTRONICS CORP.

| | | | |
|--|--|------------------------|------------------------|
| KEYSTONE ELECTRONICS CORP. | | | |
| www.keystonelco.com • NEW HYDE PARK, NY 11040 • Tel (516) 328-7500 | | | |
| PART NAME COIN CELL PC BATTERY HOLDER | | | |
| MATERIAL AS NOTED | | | |
| FINISH AS NOTED | | DRN BY BOONE | DATE 8.15.84 |
| TOLERANCES DECIMAL ± .010 [± 0.25] ANGULAR ± 1° | | CODE C | DWG NO. 103 |
| UNLESS OTHERWISE SPECIFIED | | | |

- NOTES:
1. BASE:
MATE'L - PBT (UL 94V-0), COLOR BLACK
 2. CONTACTS (TOP AND BOTTOM):
MATE'L - .020 [0.50] THK SPRING STEEL
FINISH: TIN NICKEL PLATE