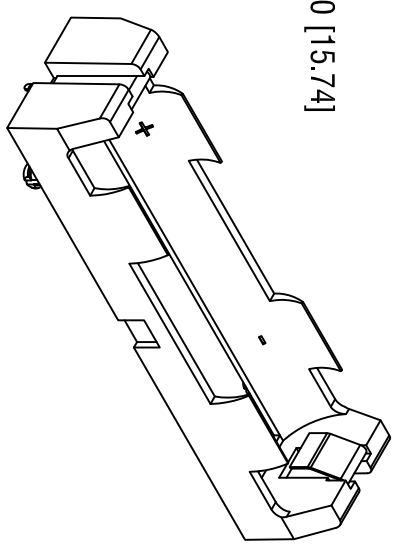


DATE	DESCRIPTION	REV.
8.24.10	CHANGE AS PER ECN 10-062	A
10.04.10	CHANGE AS PER ECN 10-069	B
10.26.10	CHANGE AS PER ECN 10-075	C
4.12.11	CHANGE AS PER ECN 11-049	D
10.08.13	CHANGE AS PER ECN 13-092	E
1.04.17	ECN 17-004, (F1) WAS 2.822	F
1.11.19	ECN 19-002, BASE WAS NYLON 46	G
8.08.19	ECN 19-064, UPDATE MTG LAYOUT (H1) WAS .630 [16.00]	H
11.16.20	ECN21-001, BASE COLOR WAS BLACK	J



KEYSTONE ELECTRONICS CORP.
 www.keye/co.com • NEW HYDE PARK, NY 11040 • Tel (516) 328-7500

PART NAME THM BATTERY HOLDER, 18650

MATERIAL AS NOTED

FINISH AS NOTED

TOLERANCES	INCH	[MM]	CODE	DWG NO.
DECIMAL	± .010	[± 0.25]	C	1043
ANGULAR	± 1°			

THIS DOCUMENT IS THE PROPERTY OF
 KEYSTONE ELECTRONICS CORP. AND
 SHALL NOT BE REPRODUCED, DISTRIBUTED
 OR USED AS A BASIS FOR MANUFACTURE
 WITHOUT PRIOR WRITTEN PERMISSION
 FROM KEYSTONE ELECTRONICS CORP.

- NOTE:
1. BASE: MAT'L: PBT, UL 94V-0 (GRAY COLOR)
 2. CONTACT: MAT'L: .012 [0.30] THK STAINLESS STEEL
 FINISH: TIN NICKEL PLATE