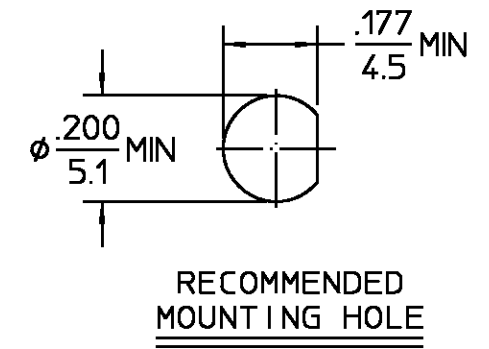


DESIGNED FOR USE WITH RG 196/U CABLE	
CABLE ENTRY DIAMETER MINIMUM	
FERRULE	.099
SLEEVE	.037
DIELECTRIC	.039
CONTACT	.024

REVISIONS			
REV	DESCRIPTION	DATE	APPROVED
01 ₄	REVISED	11/23/71	RAC



ELECTRICAL	MECHANICAL	ENVIRONMENTAL
Nominal Impedance (Ohms) <u>50</u>	Interface Dimensions MIL-STD-348, Fig. 319.2	Temperature Rating <u>-65°C to 105°C</u>
Frequency Range (GHz) PER MIL-C-17	Recommended Mounting	Vibration MIL-STD-202, Method 204, Condition D
Volt Rating (VRMS MAX)	Torque <u>5 in-lbs</u>	Shock MIL-STD-202, Method 213, Condition I
@ Sea Level <u>170</u>	Mating Characteristics:	Thermal Shock MIL-STD-202, Method 107, Condition B,
VSWR <u>1.25 +.03 f(GHz)</u>	Insertion (MAX lbs) <u>3.0</u>	Except High Temp +85°C
Insertion Loss (dB MAX) <u>.07√f(GHz)</u>	Withdrawal (MIN oz) <u>1.0</u>	Moisture Resistance MIL-STD-202, Method 106, Except Vibration
RF Leakage (dB MIN) <u>-[60-f(GHz)]</u>	Force to Engage and Disengage (in-lbs MAX) <u>2.0</u>	Shall Be Omitted
Corona, 70,000 Ft (VRMS MIN) <u>125</u>	Cable Retention	Corrosion - MIL-STD-202, Method 101, Condition B, 5% salt spray
Dielectric Withstanding Voltage	Axial Force (lbs) <u>10</u>	
(VRMS MIN) @ Sea Level <u>500</u>	Weight (Grams) <u>TBD</u>	
Contact Resistance (Milliohms MAX)		
Center Contact <u>3.0</u>		
Outer Contact <u>2.0</u>		
Cable to Housing <u>TBD</u>		
RF High Potential @ Sea Level		
(VRMS MIN @ 5 MHz) <u>335</u>		
IR.(Megohms MIN) <u>5,000</u>		

COMPONENT	MATERIAL	FINISH
HOUSING MOUNTING NUT LOCKWASHER CLAMP NUT	STAINLESS STEEL PER ASTM-A484 AND ASTM- A582, TYPE 303	GOLD PLATE PER MIL-G-45204
DIELECTRIC	PTFE FLUOROCARBON PER ASTM-D-1457	N/A
CENTER CONTACT	BERYLLIUM COPPER PER ASTM-B-196 OR ASTM-B-197, ALLOY C17300, CONDITION H	GOLD PLATE PER MIL-G-45204
RETAINING RING	BERYLLIUM COPPER PER ASTM-B-194, ALLOY C17200, CONDITION H	GOLD PLATE PER MIL-G-45204
SHRINK TUBING	HEAT SHRINKABLE POLYOLEFIN COMPOUND MIL-I-23053/4	N/A
FERRULE INNER SLEEVE	COPPER OR BRASS ALLOY ROCKWELL F65 MAXIMUM	GOLD PLATE PER MIL-G-45204

UNLESS OTHERWISE SPECIFIED DIMENSIONS ARE IN INCHES TOLERANCE ON FRAC. DEC. ANGLES ± 1/64 ±.005 ± °	DRAWN BY E. J. C.	DATE 12/13/71	AMP Incorporated 140 Fourth Avenue Waltham, MA 02451-7599
	CHECKED BY P. F. L.	12/13/71	
These drawings and specifications are the property of M/A-COM Incorporated and shall not be reproduced or copied or used in whole or in part as the basis for the manufacture or sale of item(s) without written permission.	USE ASS'Y PROCEDURE		TITLE OSSM BULKHEAD FEEDTHRU STRAIGHT CABLE JACK - CRIMP CLAMP ATTACHMENT
	NO. AP. 408-04785 (10-017)		
	SIZE B	CODE IDENT NO. 26805	1034-7196-00
SCALE 4:1		SHEET 1 OF 1	