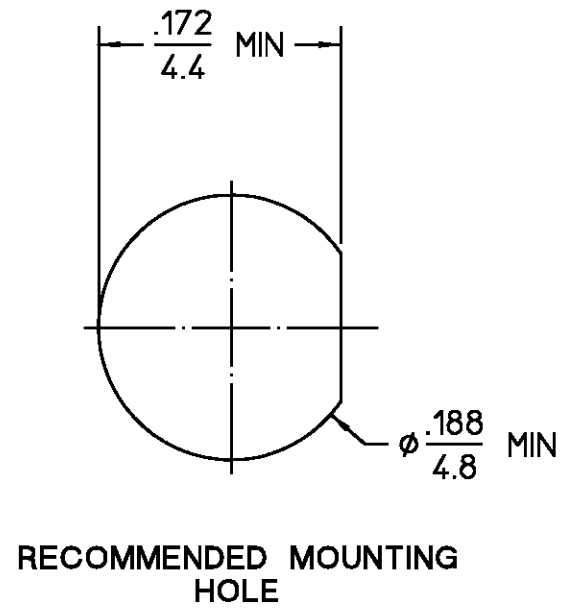


REVISIONS			
REV	DESCRIPTION	DATE	APPROVED
02 ₂	REVISED	8/28/96	[Signature]



COMPONENT	MATERIAL	FINISH
HOUSING MOUNTING NUT LOCKWASHER	STAINLESS STEEL PER ASTM-A484 AND ASTM- A582, TYPE 303	GOLD PLATE PER MIL-G-45204
DIELECTRIC	TFE FLUOROCARBON PER ASTM-D-1457	N/A
CENTER CONTACT	BERYLLIUM COPPER PER ASTM-B-196 OR ASTM-B-197, ALLOY C17300, CONDITION H	GOLD PLATE PER MIL-G-45204

UNLESS OTHERWISE SPECIFIED DIMENSIONS ARE IN INCHES FRAC. ± 1/64 DEC. ± .005 ANGLES ± 1°	DRAWN BY	DATE	AMP Incorporated 140 Fourth Avenue Waltham, MA 02451-7599
	CHECKED BY	DATE	
	APPD BY	DATE	

These drawings and specifications are the property of M/A COM Interconnect Div. and shall not be reproduced or copied or used in whole or in part as the basis for the manufacture or sale of item(s) without written permission.	USE ASSY PROCEDURE	TITLE "OSSM" BULKHEAD FEEDTHRU JACK RECEPTACLE - SOLDER POT TERMINAL	
	NO. A.P. N/A	SIZE B	CODE IDENT NO. 26805
		SCALE 8:1	1056-0000-00

NOTES:
1. CAPTURED CENTER CONTACT

.XXX = in
XX.X = mm (REF)

COPY IN PUERTO RICO

CUSTOMER DRAWING

AMP PART # 1045629-1
SHEET 1 OF 1 REV A