



CUSTOMER DRAWING

©2009 CARCLO
ALL DIMENSIONS IN mm



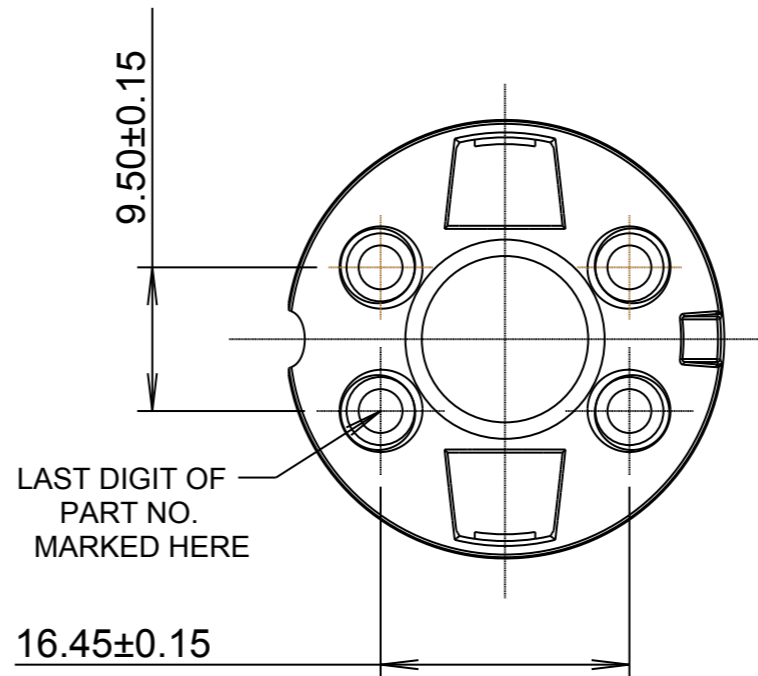
Ø 26.70



Ø 29.0±0.2

13.8

DIM. A ± 0.1
(SEE TABLE)



9.50±0.15

LAST DIGIT OF
PART NO.
MARKED HERE

16.45±0.15



SECTION X-X

DIM. B (SEE TABLE)
ZERO DRAFT OVER THIS LENGTH



**GENERAL 3D VIEW
SCALE 1:1**

- NOTES:-**
1. MATERIAL: POLYCARBONATE
2. COLOUR: SEE TABLE ON SEPERATE SHEET

ISS.	DATE	E.C.N.	DESCRIPTION
1	04-June-07		FIRST ISSUE
2	27-Nov-07		LEG LENGTH TABLE ADDED
3	6-Aug-08		EXTRA LEG LENGTHS ADDED TO TABLE
4	16-Oct-08	10/08/1232	DRAFT INCREASED TO 7° ON INSIDE DIAMETER
5	07-Apr-10	04/10/1268	CLEAR PART NOS ADDED TO TABLE
6	14-May-10	05/10/1272	Legs lengthened for P4 LED to 16.2



CARCLO TECHNICAL PLASTICS (SLOUGH) LTD.
111 BUCKINGHAM AVE, SLOUGH
SL1 4PF, ENGLAND
TEL: +44 1753 575011 FAX: +44 1753 811359
email: design@coil.co.uk

GENERAL TOLERANCES (UNLESS STATED)

LINEAR		ANGULAR	
X	+/- 0.25	X	+/- 1°
X.X	+/- 0.1	X.X	+/- 0.5°
X.XX	+/- 0.05	X.XX	+/- 0.1°

CUSTOMER

TITLE
**26.5MM DIA OPTIC
4 LEG HOLDER**

DRAWN MK DATE 06-June-07

CHK'D MB DATE 06-June-07

APP'D AD DATE 20-June-07

SCALE 2:1 COIL PART No. SEE TABLE ON SEPERATE SHEET

SIZE A3 COIL DRG. No. 60475 SHEET 1 OF 3

ISS.	DATE	E.C.N.	DESCRIPTION
6	14-May-10	05/10/1272	Leg length altered for P4 holder. altered to 16.2

© 2009 CTP-COIL
ALL DIMENSIONS IN mm



CARCLO TECHNICAL PLASTICS (SLOUGH)
111 BUCKINGHAM AVE, SLOUGH
SL1 4PF, ENGLAND
TEL: +44 1753 575011 FAX: +44 1753 811359
e-mail: design@carclo-optics.com

PCB LAYOUT DIAGRAM



GENERAL TOLERANCES (UNLESS STATED)

LINEAR	ANGULAR
X +/- 0.25	X +/- 1°
X.X +/- 0.1	X.X +/- 0.5°
X.XX +/- 0.05	X.XX +/- 0.1°

CUSTOMER
CARCLO

TITLE
26.5MM DIA OPTIC
4 LEG HOLDER

DRAWN PT DATE 14-MAY-10

CHK'D MB DATE 17-MAY-10

APP'D MB DATE 17-MAY-10

SCALE 5:1 CARCLO PART No. SEE TABLE ON SEPERATE SHEET

SIZE A4 CARCLO DRG. No. 60475 SHEET 2 OF 3