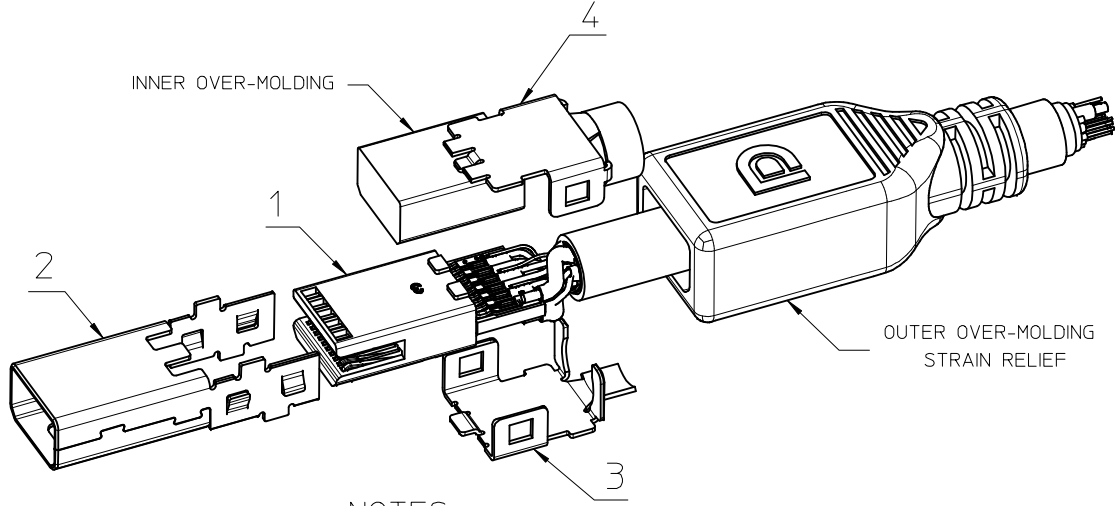


NEW PRODUCT EC NO: SHZ010-0088 DRW:KWEI 2009/09/14 CHK:DZHANG 2009/09/14 APPR:XJ.SONG 2009/09/14 REV B	QUALITY SYMBOLS ▽=0 ◻=0	GENERAL TOLERANCES (UNLESS SPECIFIED) mm INCH 4 PLACES ± --- ± --- 3 PLACES ± --- ± --- 2 PLACES ± 0.25 ± --- 1 PLACE ± 0.30 ± --- ANGULAR ± -- °	DIMENSION STYLE MM ONLY DRAWN BY: KLAUS WEI CHECKED BY: ROST ZHANG APPROVED BY: HARVEY WANG MATERIAL NO.	DATE: 2008/03/31 DATE: 2008/03/31 DATE: 2008/03/31	SCALE: 5:1 DESIGN UNITS: METRIC THIRD ANGLE PROJECTION	TITLE: MINI DISPLAY PORT PLUG	
	DRAFT WHERE APPLICABLE MUST REMAIN WITHIN DIMENSIONS	SIZE: A3 THIS DRAWING CONTAINS INFORMATION THAT IS PROPRIETARY TO MOLEX INCORPORATED AND SHOULD NOT BE USED WITHOUT WRITTEN PERMISSION	SEE SHEET 2	MOLEX INCORPORATED DOCUMENT NO. SD-105061-200	SHEET NO. 1 OF 7		

TOP ROW			BOTTOM ROW		
PIN NUMBER	SIGNAL TYPE	PIN NAME	PIN NUMBER	SIGNAL TYPE	PIN NAME
1	GND	GND	2	IN	HOT PLUG DETECT
3	OUT	ML_LANE 0(p)	4	CONFIG	CONFIG 1
5	OUT	ML_LANE 0(n)	6	CONFIG	CONFIG 2
7	GND	GND	8	GND	GND
9	OUT	ML_LANE 1(p)	10	OUT	ML_LANE 3(p)
11	OUT	ML_LANE 1(n)	12	OUT	ML_LANE 3(n)
13	GND	GND	14	GND	GND
15	OUT	ML_LANE 2(p)	16	I/O	AUX_CH(p)
17	OUT	ML_LANE 2(n)	18	I/O	AUX_CH(n)
19	RTN	RETURN	20	POWER OUT	DP_PWR

ITEM	PART NAME	PART NUMBER	QTY'S
1	SUB-ASSEMBLY	WHITE	1
		BLACK	
2	MAIN-SHELL	105061-0005	1
3	BOTTOM SHELL	105061-0006	1
4	TOP-SHELL	105061-0007	1

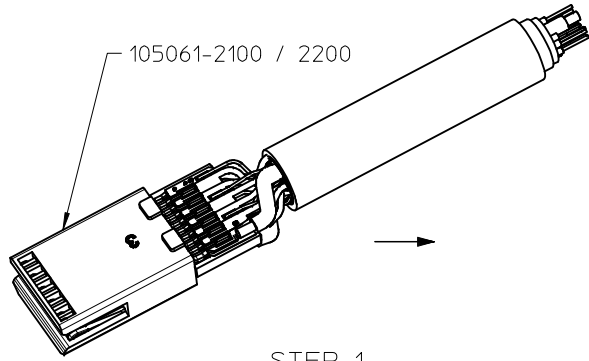
- NOTES:
- MATERIAL:
 - 1.1. PLASTIC: HIGH TEMPERATURE THERMOPLASTICS.
 - 1.2. TERMINAL: PHOSPHOR BRONZE.
 - 1.3. SHIELD SHELL: COPPER ALLOY.
 - 1.4. OTHER SHELL: COPPER ALLOY.
 - PLATING:
 - 2.1. TERMINAL:
 - 2.1.1. UNDERPLATING: NICKEL 1.30 MICROMETER MIN.
 - 2.1.2. CONTACT AREA: GOLD 0.76 MICROMETER MIN.
 - 2.1.3. SOLDER AREA: GOLD FLASH.
 - 2.2. METAL SHELL: NICKEL 1.30 MICROMETER MIN.
 - MECHANICAL PROPERTIES:
 - 3.1. TERMINAL RETENTION FORCE: 0.5 Kgf MIN.
 - 3.2. MATING FORCE: 4.0 Kgf MAX.
 - 3.3. NORMAL FORCE: 25gf MIN.
 - 3.4. DURABILITY: 1500 CYCLES.
 - ELECTRICAL PROPERTIES:
 - 4.1. APPLIED VOLTAGE RATING: 30V AC (RMS)
 - 4.2. CONTACT CURRENT RATING: 0.5 Amp
 - 4.3. DIELECTRIC WITHSTANDING: 200V AC MIN.
 - 4.4. INSULATION RESISTANCE: 100 Megaohm MIN.
 - ENVIRONMENTAL PROPERTIES:
 - 5.1. OPERATING TEMPERATURE: -20°C TO 85°C.
 - 5.2. BE APPLICABLE TO HANDWORK SOLDER & IR-REFLOW PROCESS
 - THIS PRODUCT COMPLIANT TO RoHS DIRECTIVE 2002/95/EC, AND ELV DIRECTIVE 2000/53/EC.



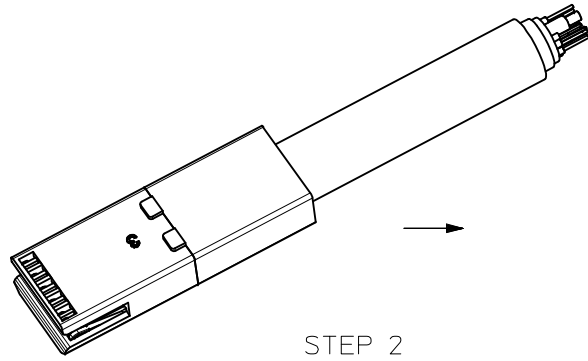
NOTES:
OVER-MOLDING ONLY FOR REFERENCE

NEW PRODUCT EC NO: SH2010-0088 DRW:KWEI 2009/09/14 CHK:RZHANG 2009/09/14 APPR:XJ.SONG 2009/09/21	QUALITY SYMBOLS = 0 = 0	GENERAL TOLERANCES (UNLESS SPECIFIED)		DIMENSION STYLE MM ONLY	SCALE N/A	DESIGN UNITS METRIC	THIRD ANGLE PROJECTION														
		<table border="1"> <thead> <tr> <th></th> <th>mm</th> <th>INCH</th> </tr> </thead> <tbody> <tr> <td>4 PLACES</td> <td>±---</td> <td>±---</td> </tr> <tr> <td>3 PLACES</td> <td>±---</td> <td>±---</td> </tr> <tr> <td>2 PLACES</td> <td>±---</td> <td>±---</td> </tr> <tr> <td>1 PLACE</td> <td>±---</td> <td>±---</td> </tr> </tbody> </table>		mm	INCH	4 PLACES	±---	±---	3 PLACES	±---	±---	2 PLACES	±---	±---	1 PLACE	±---	±---	DRAWN BY: KLAUS WEI DATE: 2008/03/31	TITLE: MINI DISPLAY PORT PLUG		
			mm	INCH																	
		4 PLACES	±---	±---																	
3 PLACES	±---	±---																			
2 PLACES	±---	±---																			
1 PLACE	±---	±---																			
DRAFT WHERE APPLICABLE MUST REMAIN WITHIN DIMENSIONS	CHECKED BY: ROST ZHANG DATE: 2008/03/31	MOLEX INCORPORATED																			
MATERIAL NO.	APPROVED BY: HARVEY WANG DATE: 2008/03/31	DOCUMENT NO.	SHEET NO.																		

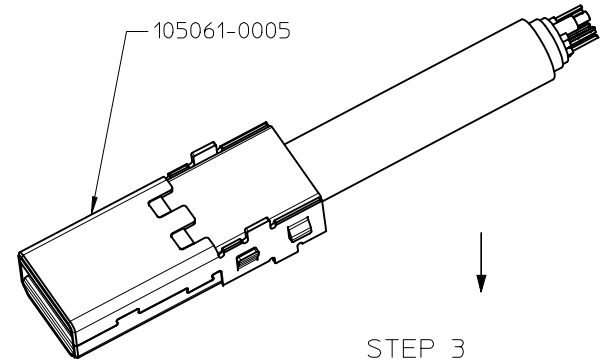
ASSEMBLY PROCEDURE



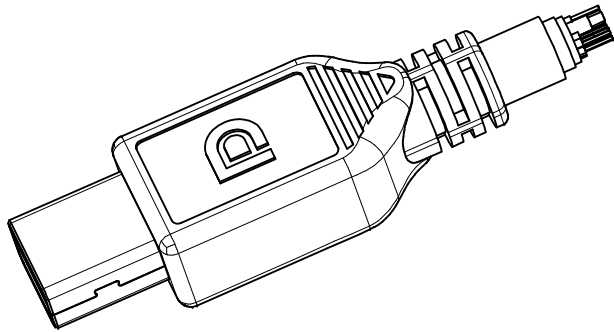
STEP 1
SOLDER WIRE



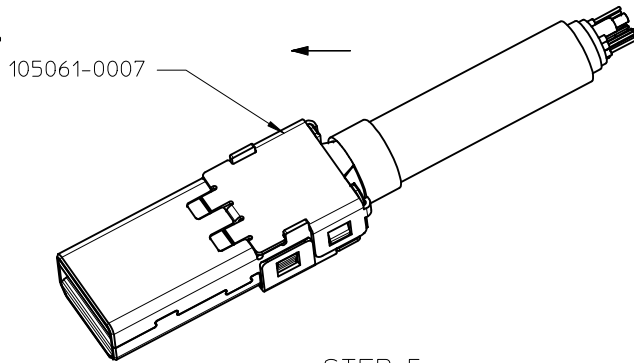
STEP 2
INNER OVER-MOLDING



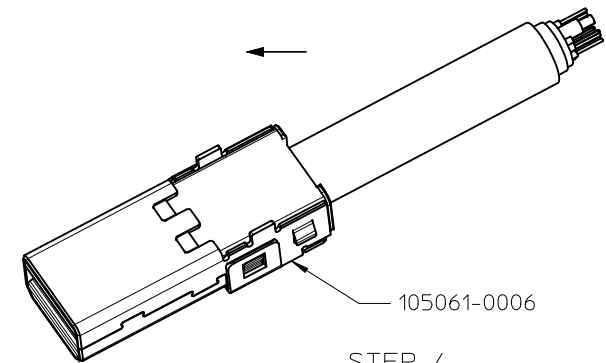
STEP 3
ASSEMBLE MAIN SHELL



STEP 6
OUTER OVER-MOLDING

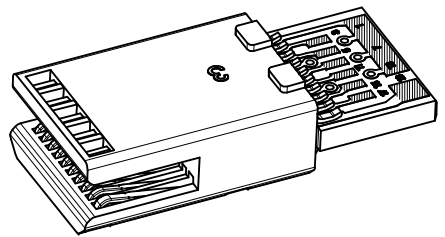
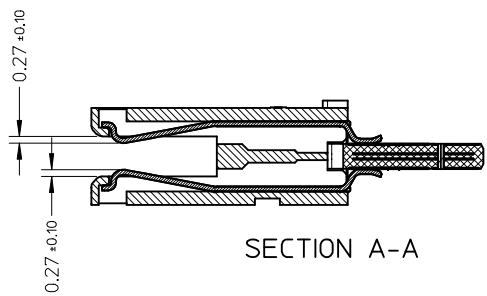
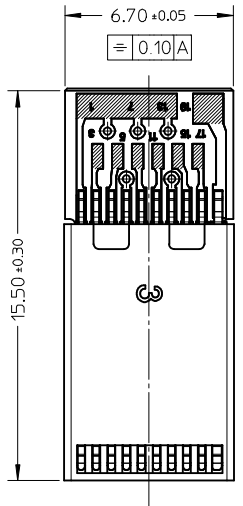


STEP 5
ASSEMBLE TOP SHELL AND CRIMPING

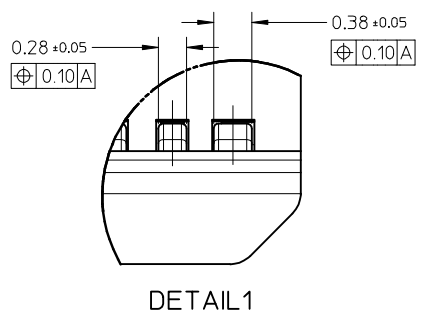
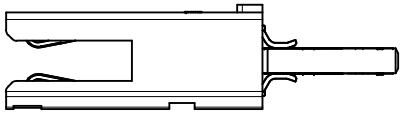
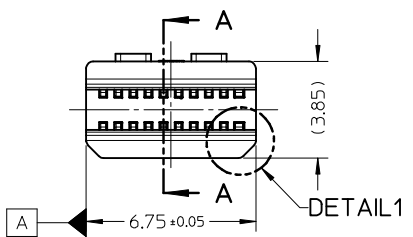


STEP 4
ASSEMBLE BOTTOM SHELL

NEW PRODUCT IEC NO: SH2010-0088 DRW:KWCWEI 2009/09/14 CH:KDRZHANG 2009/09/14 APPR:XJ.SONG 2009/09/21 B	QUALITY SYMBOLS ▽=0 ◻=0	GENERAL TOLERANCES (UNLESS SPECIFIED)		DIMENSION STYLE MM ONLY	SCALE N/A	DESIGN UNITS METRIC	THIRD ANGLE PROJECTION	
		4 PLACES ±--- ±--- 3 PLACES ±--- ±--- 2 PLACES ±--- ±--- 1 PLACE ±--- ±---	mm INCH ±--- ±--- ±--- ±--- ±--- ±--- ±--- ±---	DRAWN BY DATE KLAUS WEI 2008/03/31	TITLE MINI DISPLAY PORT PLUG			
		ANGULAR ±---°	DRAFT WHERE APPLICABLE MUST REMAIN WITHIN DIMENSIONS	CHECKED BY DATE ROST ZHANG 2008/03/31	APPROVED BY DATE HARVEY WANG 2008/03/31	MOLEX MOLEX INCORPORATED		
			SEE ABOVE	MATERIAL NO. SD-105061-200	DOCUMENT NO.	SHEET NO. 3 OF 7		



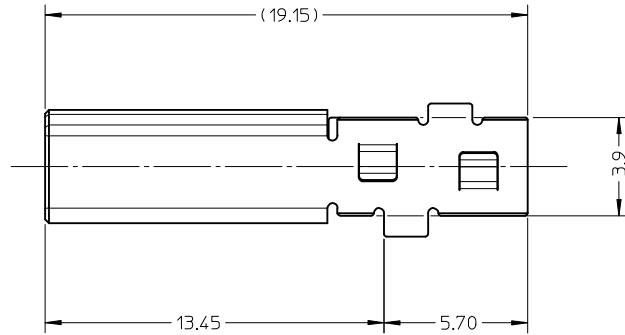
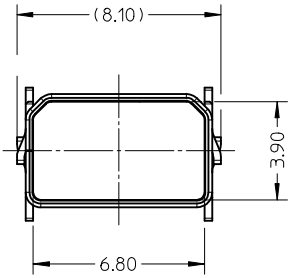
- NOTES:
1. MATERIAL:
PLASTIC: LCP ,UL94V-0 .
METAL: COPPER OR COPPER ALLOY.
 2. PACKAGING SPECIFICATION : PK-105061-001.
 3. PRODUCT SPECIFICATION: PS-105061-001.



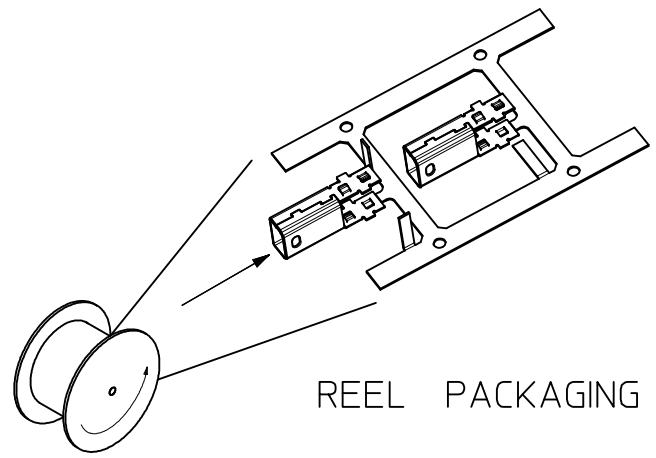
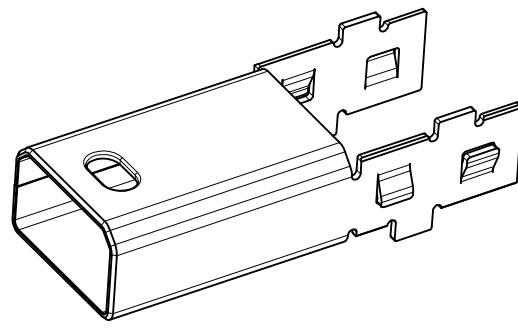
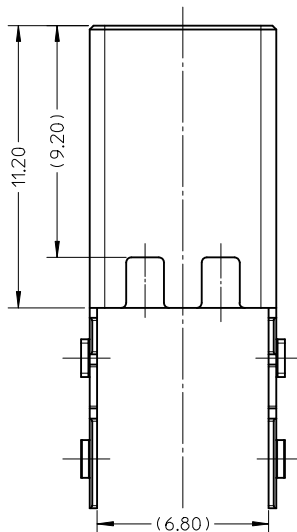
105061-2200	LCP	WHITE
105061-2100	LCP	BLACK
PART NUMBER	RESIN TYPE	COLOR

NEW PRODUCT EC NO: SH2010-0088 DRW:KWEI CH:KDRZHANG APPR:XJ.SONG 2009/09/14 2009/09/14 2009/09/21	QUALITY SYMBOLS ▽=0 ◻=0	GENERAL TOLERANCES (UNLESS SPECIFIED)		DIMENSION STYLE MM ONLY		SCALE 5:1	DESIGN UNITS METRIC	THIRD ANGLE PROJECTION	
		4 PLACES ± --- ± --- 3 PLACES ± --- ± --- 2 PLACES ± 0.10 ± --- 1 PLACE ± 0.15 ± ---	mm INCH DRAWN BY: KLAUS WEI CHECKED BY: ROST ZHANG APPROVED BY: HARVEY WANG DATE: 2008/03/31 DATE: 2008/03/31 DATE: 2008/03/31	TITLE SUB-ASSEMBLY					
		DRAFT WHERE APPLICABLE MUST REMAIN WITHIN DIMENSIONS		105061-2*00 105061-2*00		MOLEX INCORPORATED DOCUMENT NO. SD-105061-200		SHEET NO. 4 OF 7	
		SIZE A3		THIS DRAWING CONTAINS INFORMATION THAT IS PROPRIETARY TO MOLEX INCORPORATED AND SHOULD NOT BE USED WITHOUT WRITTEN PERMISSION					

10 9 8 7 6 5 4 3 2 1



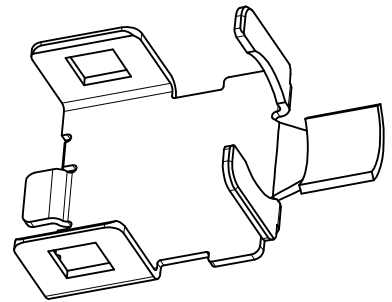
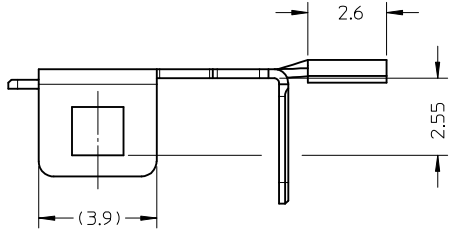
- NOTES:
1. MATERIALS: COPPER ALLOY
THICKNESS: 0.30±0.01mm..
 2. FINISH: NICKEL 1.30 MICROMETRE MIN.
 3. COMPLIANT TO RoHS DIRECTIVE 2002/95/EC AND ELV DIRECTIVE 2000/53/EC.
 4. PACKAGING QUANTITIES : 800 PCS PER REEL.



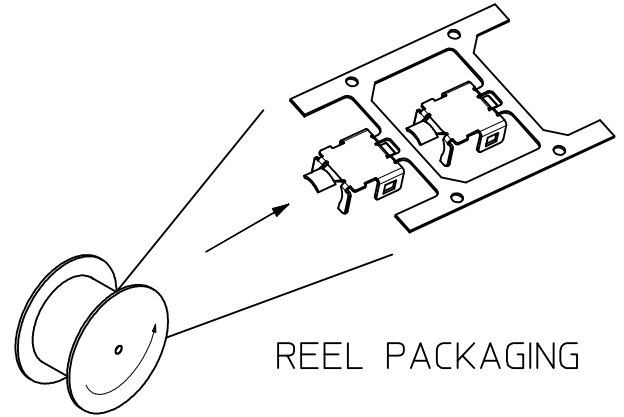
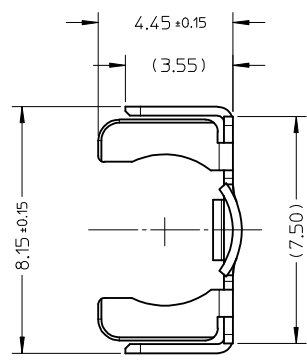
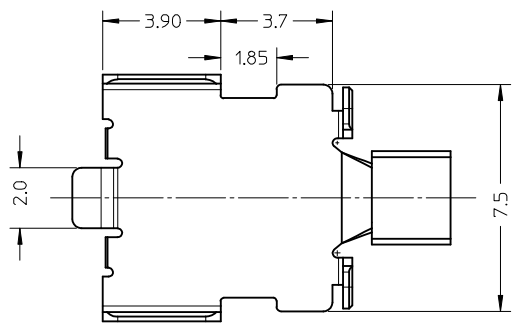
REEL PACKAGING

NEW PRODUCT EC NO: SH2010-0088 DRW:KWEI 2009/09/14 CHKD:RZHANG 2009/09/14 APPR:XJ.SONG 2009/09/14	DESCRIPTION REV	QUALITY SYMBOLS ▽=0 ◻=0	GENERAL TOLERANCES (UNLESS SPECIFIED)		DIMENSION STYLE MM ONLY	SCALE 5:1	DESIGN UNITS METRIC	THIRD ANGLE PROJECTION																		
		<table border="1"> <thead> <tr> <th></th> <th>mm</th> <th>INCH</th> </tr> </thead> <tbody> <tr> <td>4 PLACES</td> <td>± ---</td> <td>± ---</td> </tr> <tr> <td>3 PLACES</td> <td>± ---</td> <td>± ---</td> </tr> <tr> <td>2 PLACES</td> <td>± 0.10</td> <td>± ---</td> </tr> <tr> <td>1 PLACE</td> <td>± 0.15</td> <td>± ---</td> </tr> <tr> <td colspan="3">ANGULAR ± ---°</td> </tr> </tbody> </table>		mm	INCH	4 PLACES	± ---	± ---	3 PLACES	± ---	± ---	2 PLACES	± 0.10	± ---	1 PLACE	± 0.15	± ---	ANGULAR ± ---°			DRAWN BY KLAUS WEI	DATE 2008/03/31	TITLE MAIN SHELL			
			mm	INCH																						
		4 PLACES	± ---	± ---																						
3 PLACES	± ---	± ---																								
2 PLACES	± 0.10	± ---																								
1 PLACE	± 0.15	± ---																								
ANGULAR ± ---°																										
DRAFT WHERE APPLICABLE MUST REMAIN WITHIN DIMENSIONS	MATERIAL NO. 105061-0005	CHECKED BY ROST ZHANG	DATE 2008/03/31	APPROVED BY HARVEY WANG	DATE 2008/03/31	MOLEX INCORPORATED																				
	SIZE A3	THIS DRAWING CONTAINS INFORMATION THAT IS PROPRIETARY TO MOLEX INCORPORATED AND SHOULD NOT BE USED WITHOUT WRITTEN PERMISSION																								

9 8 7 6 5 4 3 2 1



- NOTES:
1. MATERIALS: COPPER ALLOY.
THICKNESS: 0.30±0.01mm.
 2. FINISH: NICKEL 1.30 MICROMETRE MIN.
 3. COMPLIANT TO RoHS DIRECTIVE 2002/95/EC AND ELV DIRECTIVE 2000/53/EC.
 4. PACKAGING QUANTITIES : 1500 PCS PER REEL.



REEL PACKAGING

NEW PRODUCT EC NO: SH2010-0088 DRW:KWEI 2009/09/14 CHK:RZHANG 2009/09/14 APPR:XJSONG 2009/09/21	DESCRIPTION REV	QUALITY SYMBOLS	GENERAL TOLERANCES (UNLESS SPECIFIED)		DIMENSION STYLE	SCALE	DESIGN UNITS	THIRD ANGLE PROJECTION			
		▼=0 Ⓢ=0	mm	INCH	MM ONLY	5:1	METRIC				
		4 PLACES ± --- ± --- 3 PLACES ± --- ± --- 2 PLACES ± 0.10 ± --- 1 PLACE ± 0.15 ± ---			DRAWN BY: KLAUS WEI CHECKED BY: ROST ZHANG APPROVED BY: HARVEY WANG MATERIAL NO. 105061-0006	DATE: 2008/03/31 DATE: 2008/03/31 DATE: 2008/03/31	TITLE: BOTTOM SHELL				
		DRAFT WHERE APPLICABLE MUST REMAIN WITHIN DIMENSIONS		ANGULAR ± ---°		SIZE: A3		MOLEX INCORPORATED DOCUMENT NO. SD-105061-200		SHEET NO. 6 OF 7	