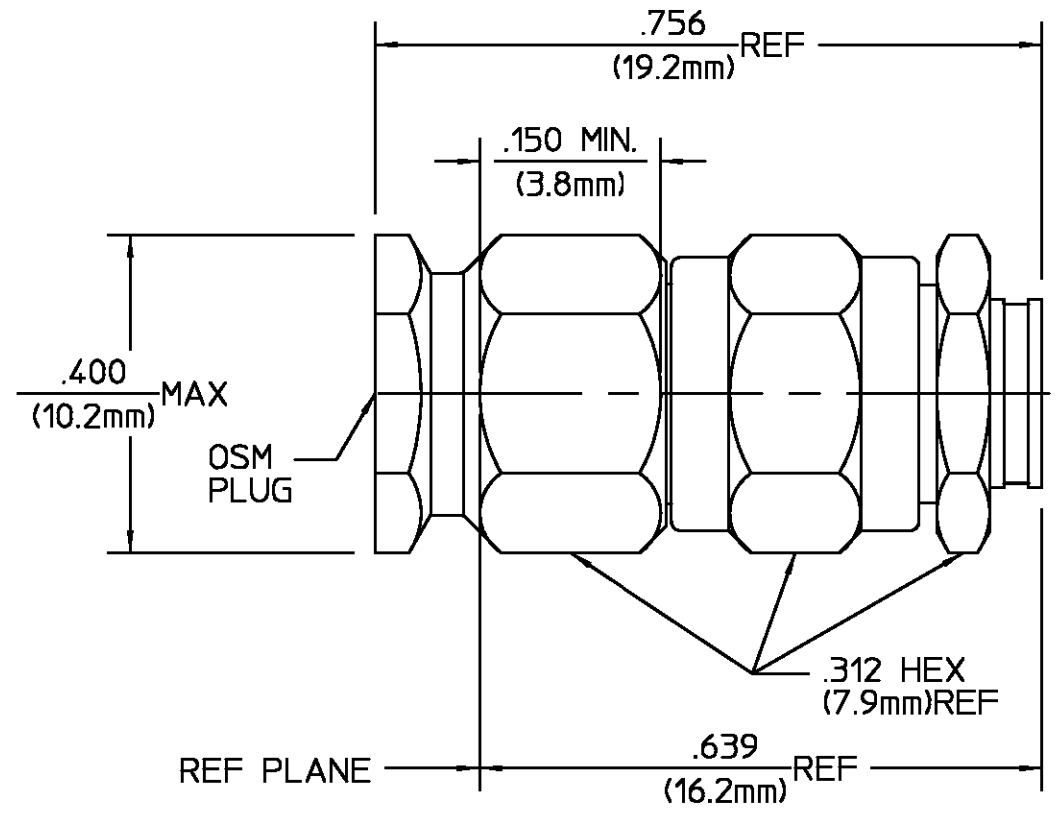


REVISIONS			
REV	DESCRIPTION	DATE	APPROVED
01 <sub>0</sub>	RELEASED		

2/22/89 *FPS*



HOUSING COUPLING NUT CLAMP NUT	STAINLESS STEEL PER ASTM-A484 AND ASTM- A582, TYPE 303	PASSIVATE PER QQ-P-35
DIELECTRIC	TFE FLUOROCARBON PER MIL-P-19468 AND FED SPEC L-P-403	N/A
CENTER CONTACT	BERYLLIUM COPPER PER QQ-C-530, ALLOY 173	GOLD PLATE PER MIL-G-45204 OVER COPPER PLATE PER MIL-C-14550
SLEEVE	BRASS PER QQ-B-626, COMP. 360	GOLD PLATE PER MIL-G-45204 OVER COPPER PLATE PER MIL-C-1 550
GASKET	SILICONE RUBBER PER ZZ-R-765	N/A
RETAINING RING	BERYLLIUM COPPER PER QQ-C-533	N/A

COMPONENT	MATERIAL	FINISH
-----------	----------	--------

- NOTES:
- DESIGNED FOR USE WITH .141 SEMI-RIGID CABLE
  - CAPTURED CENTER CONTACT

CABLE ENTRY DIAMETER MINIMUM	
SLEEVE	.145
CONTACT	.041

UNLESS OTHERWISE SPECIFIED  
DIMENSIONS ARE IN INCHES  
TOLERANCE ON  
FRAC. DEC. ANGLES  
\* 1/64 \* .005 \* °

These drawings and specifications are the property of Omni Spectra Incorporated and shall not be reproduced or copied or used in whole or in part as the basis for the manufacture or sale of item(s) without written permission.

DRAWN BY  
**E.F. HOYLE** DATE  
1/24/89

CHECKED BY  
**L. ROSS** 2/10/89

APPD BY  
*FPS* 2/22/89

USE ASSY PROCEDURE  
408-04966  
NO. AP. (20-546)

**AMP** Incorporated  
140 Fourth Avenue  
Waltham, MA 02451-7599

TITLE SMA STRAIGHT CABLE PLUG  
SOLDER CLAMP ATTACHMENT  
M39012/79-3008 CAT E.

SIZE B	CODE IDENT NO. 26805	2001-8008-92	REV 01 <sub>0</sub>
SCALE 5:1		SHEET 1 OF 1	

CUSTOMER DRAWING

AMP PART # 1050783-1  
SHEET 1 OF 1 REV A