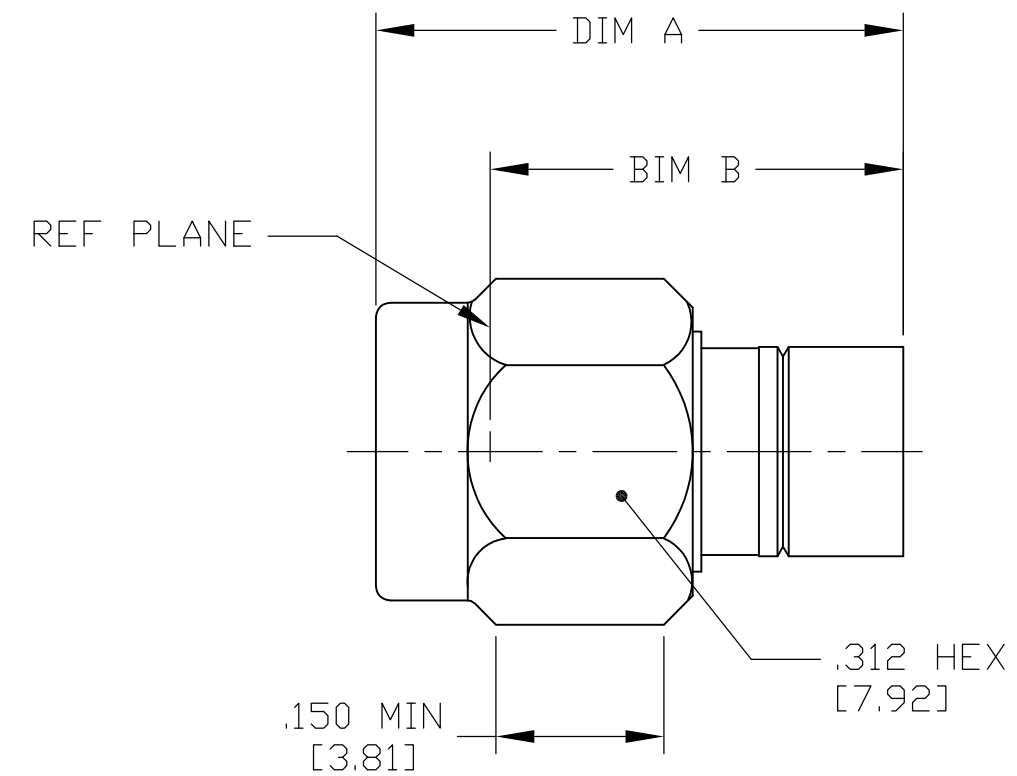


THIS DRAWING IS UNPUBLISHED.		RELEASED FOR PUBLICATION	
© COPYRIGHT - BY TYCO ELECTRONICS CORPORATION.		ALL INTERNATIONAL RIGHTS RESERVED.	
HOUSING COUPLING NUT BUSHING	STAINLESS STEEL PER ASTM-A484 AND ASTM-A582, TYPE 303	PASSIVATE PER SAE-AMS-2700	
DIELECTRIC	TFE FLUOROCARBON PER ASTM-D-1457	N/A	
CENTER CONTACT	BERYLLIUM COPPER PER ASTM-B-196 OR ASTM-B-197, ALLOY C17300, CONDITION H	GOLD PLATE PER ASTM-B-488	
RETAINING RING	BERYLLIUM COPPER PER ASTM-B-194, ALLOY C17200, CONDITION H	N/A	
GASKET	SILICONE RUBBER PER ZZ-R-765	N/A	
COMPONENT	MATERIAL	FINISH	

LOC	DIST	REVISIONS					
—	—	P	LTR	DESCRIPTION	DATE	DWN	APVD
		B		REV PER ECO 10-018173	—	CT	DW



BEFORE CRIMPING	.664 REF [16.9]	.550 REF [14.0]
AFTER CRIMPING	.568 MAX [14.4]	.441 REF [11.2]
	DIM "A"	DIM "B"

1050799-1
PART NUMBER

- DESIGNED FOR USE WITH .141 DIA (RG 402/U) SEMI-RIGID CABLE
- CAPTURED CENTER CONTACT
- PICTORIAL VIEW IS AFTER CRIMPING
- MIN STRAIGHT CABLE LENGTH: .287
- IT IS SUGGESTED TO BEND CABLE PRIOR TO CRIMPING

DESIGNED FOR USE WITH .141 S.R.	
CABLE ENTRY DIAMETER MINIMUM	
HOUSING	.143 [3.63]
CONTACT	.037 [0.94]

THIS DRAWING IS A CONTROLLED DOCUMENT.		DWN C.C.THOMAS 10-5-10	Tyco Electronics Corporation Harrisburg, PA 17105-3608	
DIMENSIONS: INCHES [mm]		CHK D.WILSON 10-5-10	Tyco Electronics	
TOLERANCES UNLESS OTHERWISE SPECIFIED:		APVD D.WILSON 10-5-10	NAME	
0 PLC ± -		PRODUCT SPEC	SMA STRAIGHT CABLE PLUG SOLDERLESS COMPRESSION CRIMP ATTACHMENT, M39012/79B3104	
1 PLC ± -		APPLICATION SPEC	SIZE	CAGE CODE
2 PLC ± -		408-04663	A3	00779
3 PLC ± .005 [0.13]		WEIGHT	DRAWING NO	
4 PLC ± -		—	G-1050799	
ANGLES ± -		CUSTOMER DRAWING	SCALE	SHEET
FINISH		RESTRICTED TO	5:1	1 OF 1
MATERIAL SEE TABLE	SEE TABLE	REV	B	