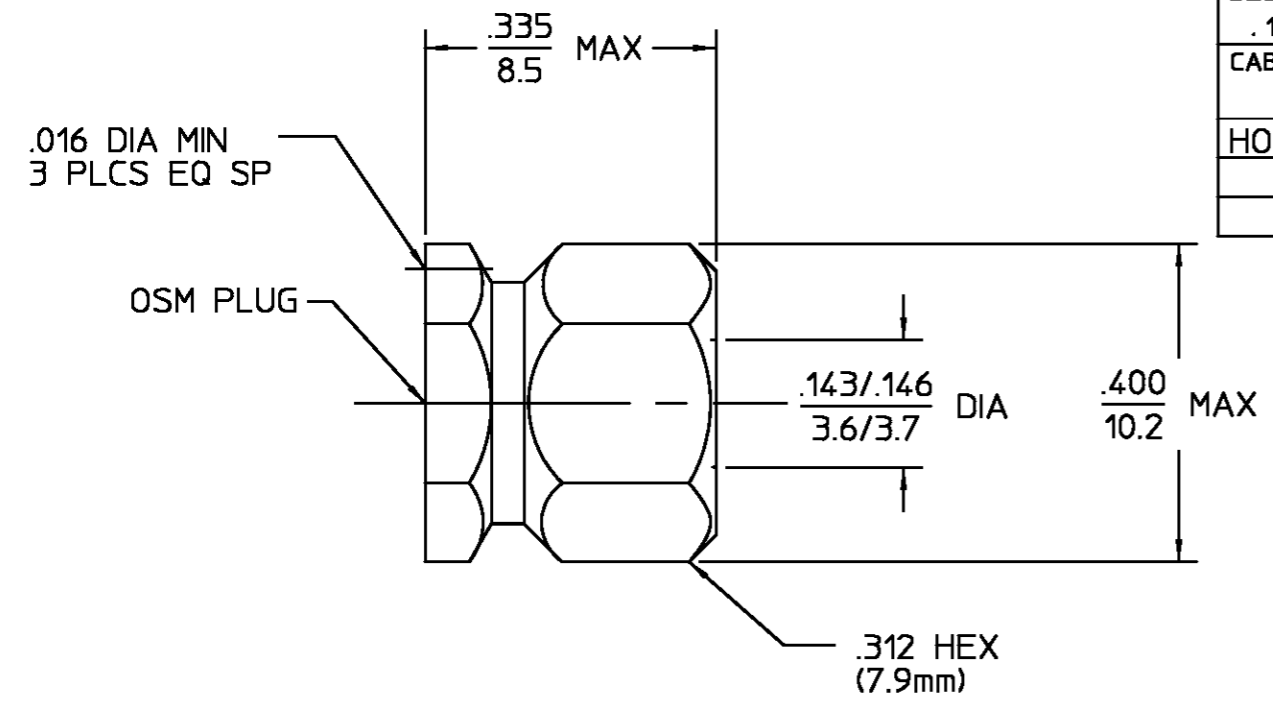


DESIGNED FOR USE WITH	.141 DIA S.R. CABLE
CABLE ENTRY DIAMETER MINIMUM	
HOUSING	.143

REVISIONS			
REV	DESCRIPTION	DATE	APPROVED
010	RELEASED	2/13/95	<i>RA</i>



COMPONENT	MATERIAL	FINISH
HOUSING	STAINLESS STEEL PER ASTM-A484 AND ASTM-A582, TYPE 303	GOLD PLATE PER MIL-G-45204
COUPLING NUT	STAINLESS STEEL PER ASTM-A484 AND ASTM-A582, TYPE 303	PASSIVATE PER ASTM-A380
RETAINING RING	BERYLLIUM COPPER PER ASTM B 194, ALLOY C17200, CONDITION H	N/A
GASKET	SILICONE RUBBER PER ZZ-R-765	N/A

ELECTRICAL	MECHANICAL	ENVIRONMENTAL
Nominal Impedance (Ohms) <u>50</u>	Interface Dimensions MIL-STD-348A, Fig. <u>310.3</u>	Temperature Rating <u>-65°C to 105°C</u>
Frequency Range (GHz) DC to <u>18.0</u>	Recommended Mating Torque <u>7 to 10 in-LBs</u>	Vibration MIL-STD-202, Method 204, Condition D
Volt Rating (VRMS MAX) @ Sea Level <u>335</u>	Mating Characteristics: Insertion (MAX Lbs) <u>N/A</u>	Shock MIL-STD-202, Method 213, Condition I
VSWR <u>1.02 + .005f(GHz)</u>	Withdrawal (MIN Oz) <u>N/A</u>	Thermal Shock MIL-STD-202, Method 107, Condition B, Except High Temp <u>115°C</u>
Insertion Loss (dB MAX) <u>.03 √f(GHz)</u>	Force to Engage and Disengage (In/Lbs MAX) <u>2.0</u>	Moisture Resistance MIL-STD-202, Method 106, No Measurement At High Humidity
RF Leakage (dB MIN) <u>-(90-f(GHz))</u>	Center Contact Captivation Axial (Lbs) <u>N/A</u>	Corrosion - MIL-STD-202, Method 101, Condition B, 5% salt spray
Corona, 70,000 Ft (VRMS MIN) <u>250</u>	Radial (In/Oz) <u>N/A</u>	
Dielectric Withstanding Voltage (VRMS MIN) @ Sea Level <u>N/A</u>	Cable Retention Axial Force (Lbs) <u>60 MIN</u>	
Contact Resistance (Milliohms MAX) Center Contact <u>N/A</u>	Torque (In/Oz) <u>55</u>	
Outer Contact <u>2.0</u>	Weight (Grams) <u>1.8</u>	
Cable to Housing <u>0.5</u>		
RF High Potential @ Sea Level (VRMS MIN @ 5 MHz) <u>670</u>		
LR.(Megohms MIN) <u>N/A</u>		

UNLESS OTHERWISE SPECIFIED DIMENSIONS ARE IN INCHES TOLERANCE ON	DRAWN BY <i>RA</i> DATE <u>2/13/95</u>	AMP Incorporated 140 Fourth Avenue Waltham, MA 02451-7599
	CHECKED BY <i>RA</i>	
FRAC. DEC. ANGLES ± 1/64 ±.005 ± °	APPD BY <i>RA</i> DATE <u>2/13/95</u>	AMP TITLE OSM STRAIGHT CABLE PLUG DIRECT SOLDER ATTACHMENT M39012/92B3001 CAT. B SIZE B CODE IDENT NO. 26805 2001-8901-92 REV 010 SCALE 5:1 SHEET 1 OF 1
These drawings and specifications are the property of Omni Spectra Incorporated and shall not be reproduced or copied or used in whole or in part as the basis for the manufacture or sale of items without written permission.	USE ASS'Y PROCEDURE 408-04843 NO. AP. (20-561)	

CUSTOMER DRAWING

AMP PART # 1050805-1
SHEET 1 OF 1 REV A