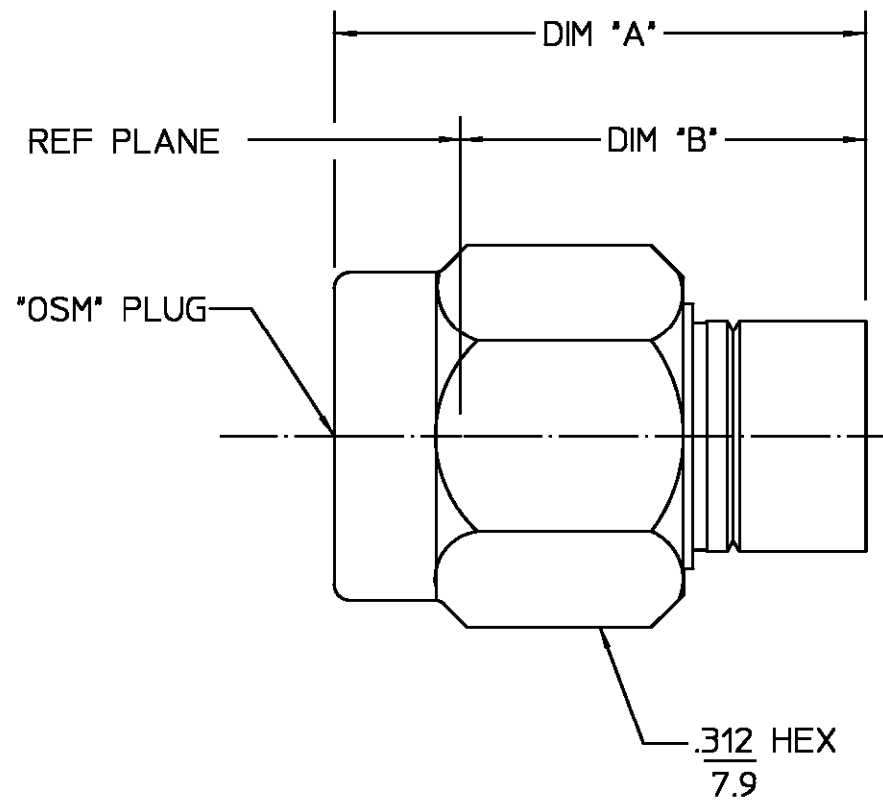


DESIGNED FOR USE WITH .141 S.R.	
CABLE ENTRY DIAMETER MINIMUM	
HOUSING	.143
BUSHING	.1555

REVISIONS			
REV	DESCRIPTION	DATE	APPROVED
02 1	REVISED	OP 5/27/96	RAC



BEFORE CRIMPING	.502 REF 12.8	.385 REF 9.8
AFTER CRIMPING	.392 MAX 10.0	.270 REF 6.9
	DIM 'A'	DIM 'B'

HOUSING COUPLING NUT BUSHING	STAINLESS STEEL PER ASTM-A484 AND ASTM- A582, TYPE 303	PASSIVATE PER QQ-P-35
GASKET	SILICONE RUBBER PER ZZ-R-765	N/A
COMPONENT	MATERIAL	FINISH

NOTES:

- DESIGNED FOR USE WITH .141 DIA (RG 402/U) SEMI-RIGID CABLE
- PICTORIAL VIEW IS AFTER CRIMPING
- MIN STRAIGHT CABLE LENGTH: .287
- IT IS SUGGESTED TO BEND CABLE PRIOR TO CRIMPING

.XXX = in  
XX.X = mm (REF)

UNLESS OTHERWISE SPECIFIED DIMENSIONS ARE IN INCHES TOLERANCE ON FRAC. DEC. ANGLES ± 1/64 ± .005 ± °	DRAWN BY R.GIERAS 3/21/85	AMP Incorporated 140 Fourth Avenue Waltham, MA 02451-7599
	CHECKED BY R.GIERAS 3/21/85	
These drawings and specifications are the property of M/A-COM Incorporated and shall not be reproduced or copied or used in whole or in part as the basis for the manufacture or sale of item(s) without written permission.	APPD BY R.GIERAS 3/21/85	AMP
	USE ASS'Y PROCEDURE  408-04664 (20-572) NO. AP. _____	
TITLE 'OSM' STRAIGHT CABLE PLUG SOLDERLESS COMPRESSION CRIMP ATTACHMENT M39012/92B3101		
SIZE B	CODE IDENT NO. 26805	2001-8931-92
SCALE 6:1		REV 02 1
		SHEET 1 OF 1

CUSTOMER DRAWING

AMP PART # 1050809-1  
SHEET 1 OF 1 REV A