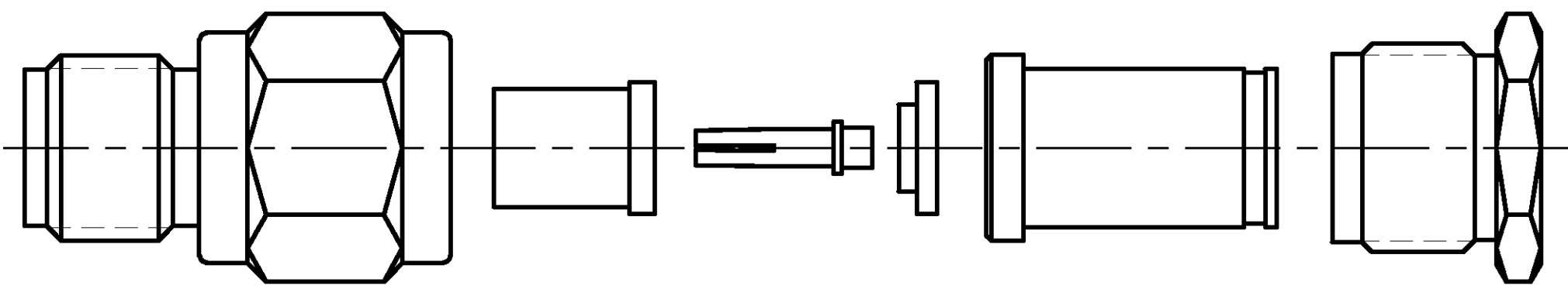


THIS DRAWING IS UNPUBLISHED. RELEASED FOR PUBLICATION N/A, N/A  
 © COPYRIGHT N/A BY TYCO ELECTRONICS CORPORATION. ALL RIGHTS RESERVED.

LOC	DIST	REVISIONS			
P	LTR	DESCRIPTION	DATE	DWN	APVD
DF	XO	O RELEASED	11-02	JMK	JL

COMPONENT	MATERIAL	FINISH
HOUSING CLAMP NUT	STAINLESS STEEL PER ASTM-A-484 OR ASTM-A-582 TYPE 303	PASSIVATED PER ASTM-A-380
DIELECTRIC	PTFE FLUOROCARBON PER ASTM-D-1457	-
INNER SLEEVE	BRASS PER ASTM-B-16 HALF HARD	GOLD PLATED PER ASTM-B-488
CENTER CONTACT	BERYLLIUM COPPER PER ASTM-B-194 ALLOY C17200, CONDITION H	GOLD PLATED PER ASTM-B-488
-	-	-
-	-	-
-	-	-
-	-	-
-	-	-
-	-	-



AS SHIPPED TO CUSTOMER

ENVIRONMENTAL

TEMPERATURE RATING: -65°C TO +165°C

VIBRATION: MIL-STD-202, METHOD 204, CONDITION D

SHOCK: MIL-STD-202, METHOD 213, CONDITION 1

MOISTURE RESISTANCE: MIL-STD-202, METHOD 106

CORROSION: MIL-STD-202, METHOD 101, CONDITION B. 5% SALT SPRAY

THERMAL SHOCK: MIL-STD-202, METHOD 107, CONDITION B EXCEPT HIGH TEMP 115°C

MECHANICAL

INTERFACE DIMENSIONS: MIL-STD-348A FIG. 310.2

RECOMMENDED MATING TORQUE: 7-10 IN-LBS

FORCE TO ENGAGE & DISENGAGE (IN-LBS MAX): 2.0

WEIGHT (GRAMS): TBD

MATING CHARACTERISTICS: INSERTION (MAX LBS) 2 WITHDRAWAL (MIN OZ): 1

CABLE RETENTION: AXIAL FORCE (LBS) 60 MIN TORQUE (IN-OZ): 55.0

CENTER CONTACT CAPTIVATION: AXIAL (LBS): 6.0 RADIAL (IN-OZ): N/A

ELECTRICAL

NORMAL IMPEDANCE (OHMS): 50

FREQUENCY RANGE (GHz): DC TO 18

VOLT RATING @ SEA LEVEL (VRMS MAX): 500

VSWR: 1.05+0.01f(GHz)

INSERTION LOSS: (dB MAX): .03 √f(GHz)

RF LEAKAGE (dB MIN): -90 @ 2-3 GHz

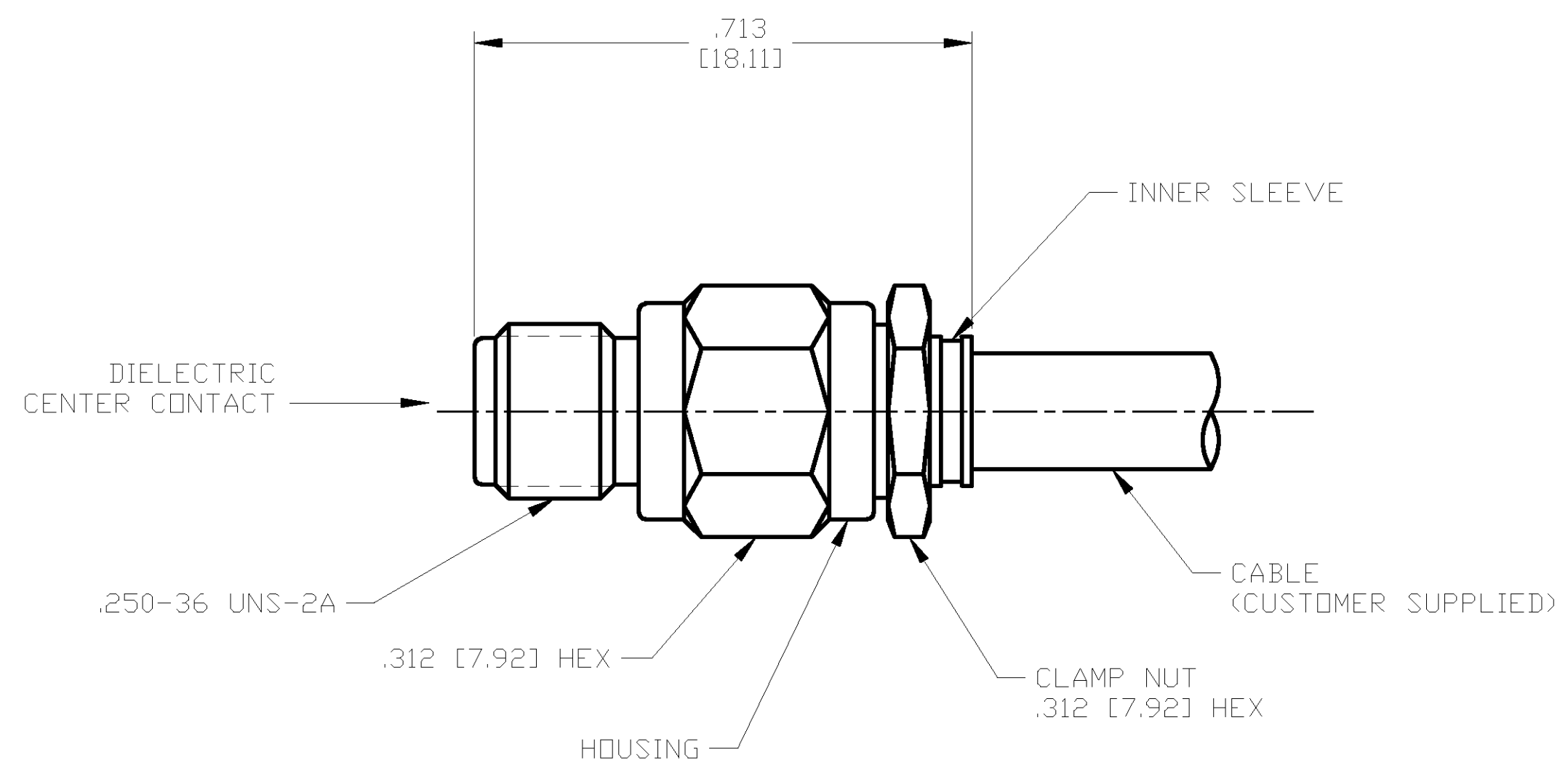
CORONA 70,000 FT (VRMS MIN): 375

DIELECTRIC WITHSTANDING VOLTAGE (VRMS MIN) AT SEA LEVEL: 1500

I.R. (MEGOHMS MIN): 5,000

RF HIGH POTENTIAL AT SEA LEVEL (VRMS MIN @ 5 MHz): 1000

CONTACT RESISTANCE (MILLIOHMS MAX): CENTER CONTACT: 3.0 OUTER CONTACT: 2.0 CABLE TO HOUSING: 0.5



ASSEMBLED VIEW

DESIGNED TO USE RG-402/U OR EQUIVALENT
CABLE ENTRY DIAMETER MIN
HOUSING: N/A
CONTACT: .040 [1.02]
CLAMP NUT: N/A
SLEEVE: .145 [3.68]
- -

THIS DRAWING IS A CONTROLLED DOCUMENT.	
DIMENSIONS: INCHES [mm]	TOLERANCES UNLESS OTHERWISE SPECIFIED:
0 PLC ± -	1 PLC ± -
2 PLC ± -	3 PLC ± .005 [0.13]
4 PLC ± -	ANGLES ± -
MATERIAL: SEE TABLE	FINISH: SEE TABLE

DWN: J. KAISER 10/09/02	Tyco Electronics Corporation Harrisburg, PA 17105
CHK: J. LIPPERT 11-20-02	
APVD: J. LIPPERT 11-20-02	
PRODUCT SPEC: -	NAME: SMA STRAIGHT CABLE JACK-SOLDER CLAMP ATTACHMENT (M39012/81-3008) CAT E
APPLICATION SPEC: 408-4837	SIZE: A2 CAGE CODE: 00779 DRAWING NO: 1050931
WEIGHT: TBD	RESTRICTED TO: -
CUSTOMER DRAWING	SCALE: 5:1 SHEET: 1 OF 1 REV: 0

1050931

1050931-1  
PART NO.