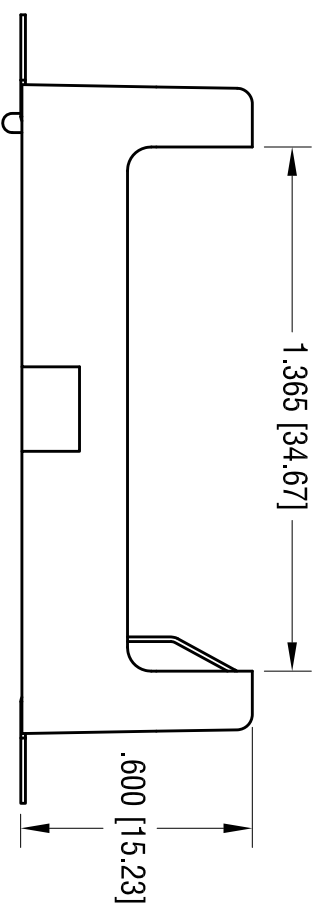
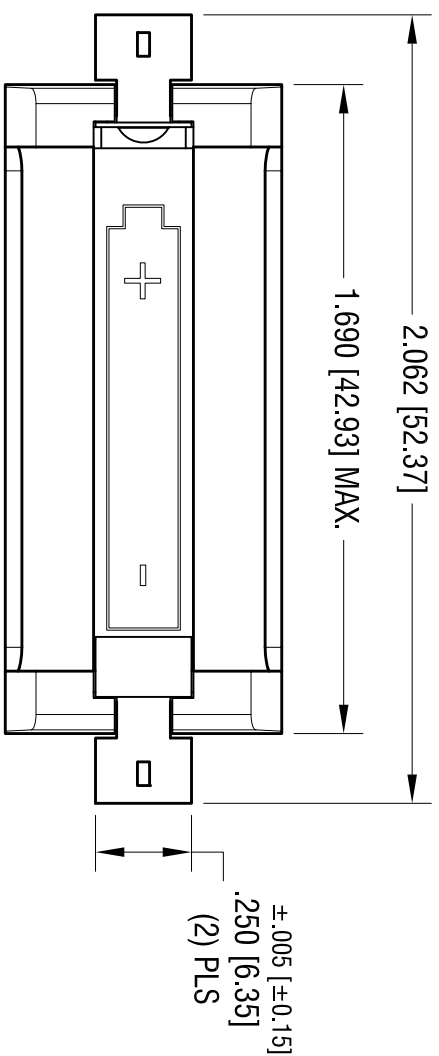
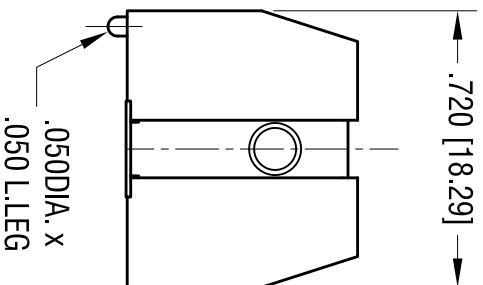
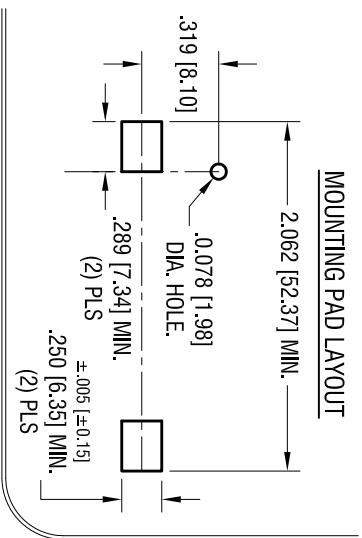


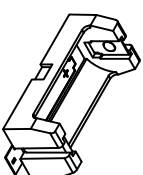
DATE	DESCRIPTION	REV.
8.16.12	CHANGE AS PER ECN 12-107	A
10.08.13	CHANGE AS PER ECN 13-090	B



NOTE:

1. BASE:
MAT'L: HEAT RESISTANCE NYLON (UL94V-0)
STANYL 46 OR EQUIVALENT
2. CONTACT:
MAT'L: .012 [0.30] THK STAINLESS STEEL
FINISH: GOLD FLASH, OVER NICKEL PLATE.

ACTUAL SIZE



THIS DOCUMENT IS THE PROPERTY OF KEYSTONE ELECTRONICS CORP. AND SHALL NOT BE REPRODUCED, DISTRIBUTED OR USED AS A BASIS FOR MANUFACTURE WITHOUT PRIOR WRITTEN PERMISSION FROM KEYSTONE ELECTRONICS CORP.

KEYSTONE ELECTRONICS CORP.

www.keyelco.com • ASTORIA, N.Y. 11105-2017 • Tel (718) 956-8900

PART NAME

SM POLARIZED HOLDER, CR123A

MATERIAL

AS NOTED

FINISH

AS NOTED

TOLERANCES	INCH	[MM]	CODE
DECIMAL	± .010	[±	C
ANGULAR	± 1°]	

UNLESS OTHERWISE SPECIFIED

DRN BY	DATE	App'D	DWG NO.	SCALE
NT	1.19.12	LN	1050	2X