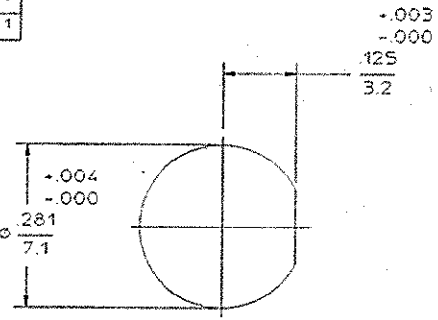


DESIGNED FOR USE WITH	
085 SP	
CABLE ENTRY DIAMETER	MINIMUM
HOUSING	.066
CONTACT	.021


REV		DESCRIPTION		DATE	APPROVED
01	REVISED			K.L. 5-22-96 3:50:26	<i>[Signature]</i>



RECOMMENDED MOUNTING HOLE

ELECTRICAL	MECHANICAL	ENVIRONMENTAL
Nominal Impedance (Ohms) 50	Interface Dimensions MIL-STD-3284	Temperature Rating -65 TO +125°C
Frequency Range (GHz) DC to 18	Fig. 310-2	Vibration MIL-STD-202, Method 204, Condition D
Volt Rating (VRMS MAX)	Recommended Rating	Shock MIL-STD-202, Method 213, Condition I
Sea Level 335	Torque 7-10 IN-LBS	Thermal Shock MIL-STD-202, Method 107, Condition B, Except High Temp +115°C
VSWR 1.07 + .008 (1GHz)	Mating Characteristics:	Moisture Resistance MIL-STD-202, Method 106
Insertion Loss (dB MAX) .03 (1GHz)	Insertion (MAX Lbs) 2	Corrosion - MIL-STD-202, Method 101, Condition B, 5% salt spray
RF Leakage (dB MIN) -90	Withdrawal (MIN Oz) 1	
Corona, 70,000 Ft (VRMS MIN) 250	Force to Engage and Disengage (in-Lbs MAX) 2	
Dielectric Withstanding Voltage (VRMS MIN) @ Sea Level 1,000	Center Contact Cavitation	
Contact Resistance (Milliohms MAX)	Axial (Lbs) N/A	
Center Contact 3.0	Radial (in-Oz) N/A	
Outer Contact 2.0	Cable Retention	
Cable to Housing .5	Axial Force (Lbs) 30	
RF High Potential @ Sea Level (VRMS MIN @ 5 MHz) 670	Torque (in-Oz) 16	
IP: Megohms MIN 5,000	Weight (Grams) TBD	

COMPONENT	MATERIAL	FINISH
HOUSING LOCKWASHER MOUNTING NUT	STAINLESS STEEL PER ASTM-A484 AND ASTM-A582, TYPE 303	GOLD PLATE PER MIL-G-45204
DIELECTRIC	TFE FLUOROCARBON PER ASTM-D-1457	N/A
CENTER CONTACT	BERYLLIUM COPPER PER ASTM-B-196 OR ASTM-B-197, ALLOY C17300, CONDITION H	GOLD PLATE PER MIL-G-45204
O-RING	SILICONE RUBBER PER ZZ-R-765	N/A

UNLESS OTHERWISE SPECIFIED DIMENSIONS ARE IN INCHES	DRAWN BY R.P. 1-18-94	 M/A-COM, Inc. Waltham, MA 02254
FRAC DEC ANGLES	CHECKED BY A.J. 1-12-94	
1/64 .005 .1°	APP'D BY RJP 1-10-94	

USE ASSY PROCEDURE	TITLE "OSM" BULKHEAD FEEDTHRU CABLE JACK-DIRECT SOLDER ATTACHMENT
NO. AP. 20-557	
SIZE B	CODE IDENT NO 26805
SCALE 5:1	2004-8005-90
	REV 01
	SHEET 1 OF 1

Typed Customer P/N 1051026
Sheet 1 of 1
Rev 0