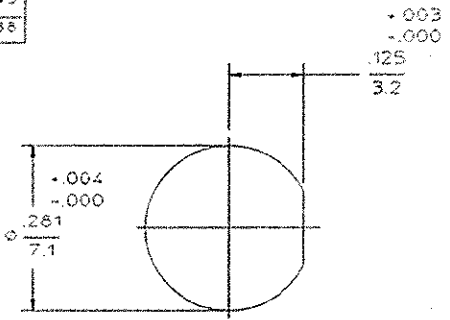


DESIGNED FOR USE WITH	141 SR
CABLE ENTRY DIAMETER MINIMUM	
HOUSING	.143
CONTACT	.038

REVISIONS		DATE	APPROVED
REV	DESCRIPTION	9/20/96	<i>[Signature]</i>
01	RELEASED		



RECOMMENDED MOUNTING HOLE

ELECTRICAL	MECHANICAL	ENVIRONMENTAL
Nominal Impedance (Ohms): 50	Interface Dimensions MIL-STD-348A, Fig. 310-2	Temperature Rating: -65 To +165°C
Frequency Range (GHz): DC to 18	Recommended Mating Torque: 7-10 IN-LBS	Vibration: MIL-STD-202, Method 204, Condition D
Volt Rating (VRMS MAX): @ Sea Level: 500	Mating Characteristics: Insertion (MAX Lbs): 2, Withdrawal (MIN Oz): 1	Shock: MIL-STD-202, Method 213, Condition I
VSWR: 1.05 - .008 F(1GHz)	Force to Engage and Disengage (In-Lbs MAX): 2	Thermal Shock: MIL-STD-202, Method 107, Condition B, Except High Temp +115°C
Insertion Loss (dB MAX): .03 (1GHz)	Center Contact Capivation: Axial (Lbs): N/A, Radial (In-Oz): N/A	Moisture Resistance: MIL-STD-202, Method 106
RF Leakage (dB MIN): -90	Cable Retention: Axial Force (Lbs): 60, Torque (In-Oz): 55	Corrosion: MIL-STD-202, Method 101, Condition B, 5% salt spray
Corona: 70,000 Ft (VRMS MIN): 375	Weight (Grams): TBD	
Dielectric Withstanding Voltage (VRMS MIN @ Sea Level): 1500		
Contact Resistance (Milliohms MAX): Center Contact: 3.0, Outer Contact: 2.0		
RF High Potential @ Sea Level (VRMS MIN @ 5 MHz): 1000		
IR (Megohms MIN): 5,000		

COMPONENT	MATERIAL	FINISH
HOUSING LOCKWASHER MOUNTING NUT	STAINLESS STEEL PER ASTM-A484 AND ASTM-A582, TYPE 303	GOLD PLATE PER MIL-G-45204
DIELECTRIC	TFE FLUOROCARBON PER ASTM-D-1457	N/A
CENTER CONTACT	BERYLLIUM COPPER PER ASTM-B-196 OR ASTM-B-197, ALLOY C17300, CONDITION H	GOLD PLATE PER MIL-G-45204
O-RING	SILICONE RUBBER PER Z2-R-765	N/A

UNLESS OTHERWISE SPECIFIED DIMENSIONS ARE IN INCHES	DRAWN BY: K. LE 6-22-96		M/A-COM, Inc. Waltham, MA 02254
FRAC DEC ANGLES 1/162 +.005 1°	CHECKED BY: <i>[Signature]</i>		
These drawings and specifications are the property of M/A-COM Interconnect Div. and shall not be reproduced or copied or used in whole or in part as the basis for the manufacture or sale of a item(s) without written permission.	IMPD BY: <i>[Signature]</i> 9/20/96 USE ASSY PROCEDURE NO. AP. 20-558		
TITLE: 'OSM' BULKHEAD FEEDTHRU CABLE JACK-DIRECT SOLDER ATTACHMENT		SIZE: B CODE IDENT NO: 26805 SCALE: 5:1	REV: 01 SHEET 1 OF 1

Typo Customer P/N 1051021
 Page 1 of 1
 Rev 0