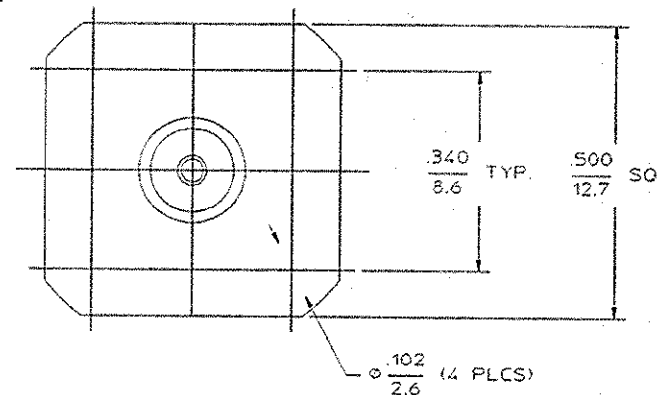


DESIGNED FOR USE WITH	
141 S.R.	
CABLE ENTRY DIAMETER MINIMUM	
HOUSING	.142
CONTACT	.037

REV		DESCRIPTION	DATE	APPROVED
01	0	RELEASED	01/2/96	<i>RF</i>



ELECTRICAL	MECHANICAL	ENVIRONMENTAL	COMPONENT	MATERIAL	FINISH
Normal Impedance (Ohms) 50 Frequency Range (GHz) DC to 18 Volt Rating (VRMS MAX) @ Sea Level 500 VSWR 1.05 +0.008 (1GHz) Insertion Loss (dB MAX) .03 x $\sqrt{\text{FREQ}}$ RF Leakage (dB MIN) -30 @ 2 to 3 GHz Corona, 70,000 Ft (VRMS MIN) 375 Dielectric Withstanding Voltage (VRMS MIN) @ Sea Level 1500 Contact Resistance (Milliohms MAX) Center Contact 3.0 Outer Contact 2.0 Cable to Housing 0.5 RF High Potential @ Sea Level (VRMS MIN @ 5 MHz) 1,000 IR (Megohms MIN) 5,000	Interface Dimensions MIL-STD-348A, Fig. 310-2 Mating Characteristics Insertion (MAX Lbs) 2.0 Withdrawal (MIN Oz) 1.0 Force to Engage and Disengage (In-Lbs MAX) 2.0 Center Contact Captivation Axial (Lbs) N/A Radial (In-Oz) N/A Cable Retention Axial Force (Lbs) 60 Torque (In-Oz) 55 Weight (Grams) TBD XXX = In XXXX = mm (REF)	Temperature Rating -65°C TO +165°C Vibration MIL-STD-202, Method 204, Condition D Shock MIL-STD-202, Method 213, Condition I Thermal Shock MIL-STD-202, Method 107, Condition B, Except High Temp +115°C Moisture Resistance MIL-STD-202, Method 106, No Measurements at At High Humidity, IR, Shall Be At Least 200 Megohms within 5 Minutes After Removal From Humidity. Corrosion - MIL-STD-202, Method 101, Condition B, 5% salt spray	HOUSING DIELECTRIC CENTER CONTACT	STAINLESS STEEL PER ASTM-A484 AND ASTM- A562, TYPE 303 TFE FLUOROCARBON PER ASTM-D-1457 BERYLLIUM COPPER PER ASTM-B-196 OR ASTM-B-197, ALLOY C17300, CONDITION H	GOLD PLATE PER MIL-G-45204 N/A GOLD PLATE PER MIL-G-45204
UNLESS OTHERWISE SPECIFIED DIMENSIONS ARE IN INCHES			DRAWN BY <i>RF</i> DATE 8/27/96 CHECKED BY APP'D BY <i>RF</i> 10/2/96	W/A-COM, Inc. Waltham, MA 02254	
These drawings and specifications are the property of W/A-COM Interconnect Div. and shall not be reproduced or copied or used in whole or in part as the basis for the manufacture or sale of a item without written permission.			USE ASSY PROCEDURE NO AP. 20-554	TITLE "OSM" FLANGE MOUNT CABLE JACK DIRECT SOLDER ATTACHMENT M39012/82B3002 CAT B SIZE B CODE IDENT NO 26805 2006-8002-90 REV 01 SCALE 5:1 SHEET 1 OF 1	

Tyco Customer AN 1051088
 Sheet 1 of 1
 Rev 0