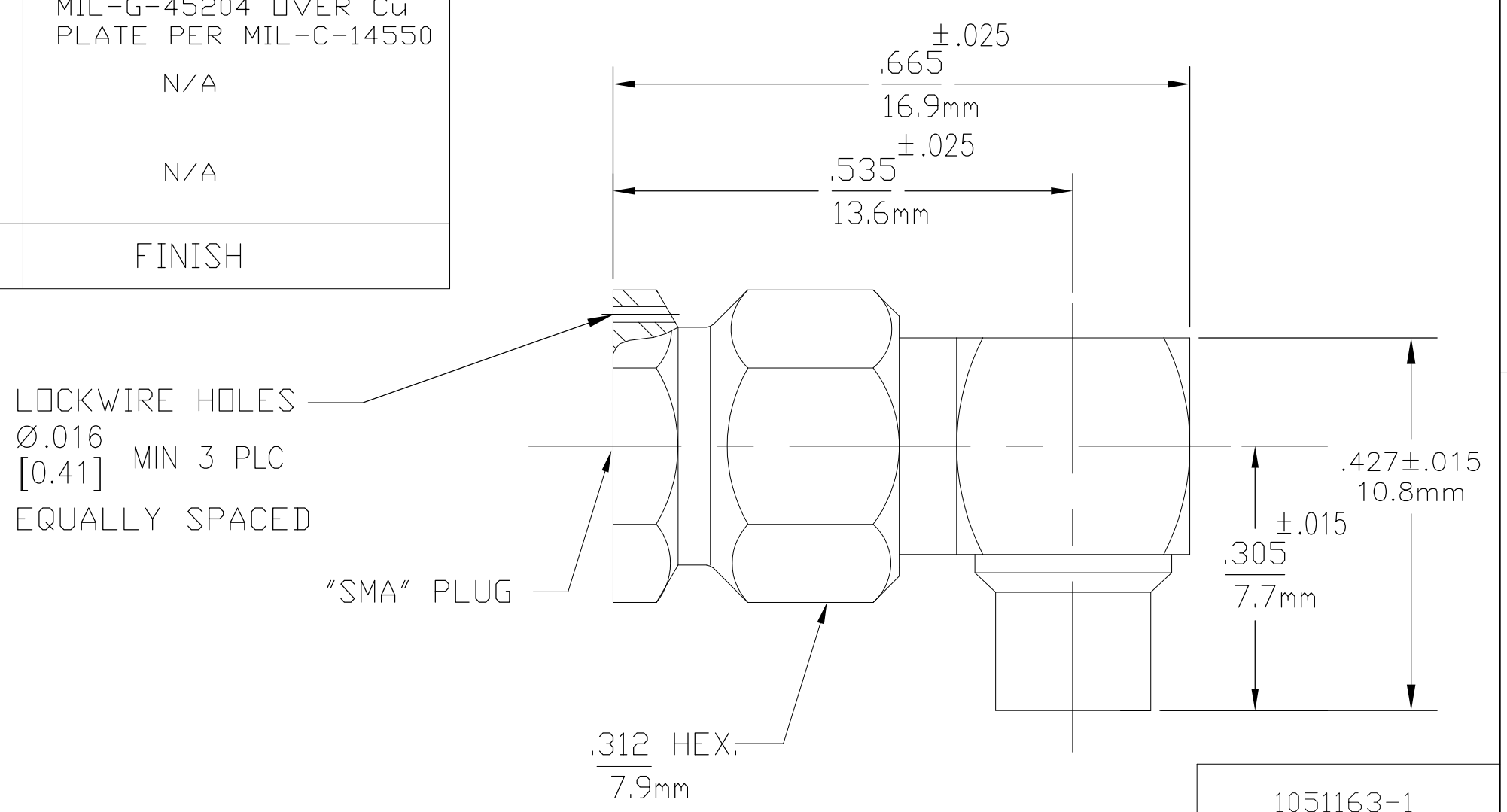


THIS DRAWING IS UNPUBLISHED.		RELEASED FOR PUBLICATION	
© COPYRIGHT - BY TYCO ELECTRONICS CORPORATION.		ALL RIGHTS RESERVED.	
HOUSING HOUSING ADAPTER CAP	STAINLESS STEEL PER ASTM-A484 AND ASTM- A582, TYPE 303	GOLD PLATE PER MIL-G-45204 OVER NI PLATE PER QQ-N-290	
COUPLING NUT	STAINLESS STEEL PER ASTM-A484 AND ASTM- A582, TYPE 303	PASSIVATE PER QQ-P-35	
DIELECTRIC	TFE FLUOROCARBON PER MIL-P-19468 AND FED SPEC L-P-403	N/A	
CENTER CONTACT	BERYLLIUM COPPER PER QQ-C-530, ALLOY 173	GOLD PLATE PER MIL-G-45204 OVER Cu PLATE PER MIL-C-14550	
RETAINING RING	BERYLLIUM COPPER PER QQ-C-533	N/A	
GASKET	SILICONE RUBBER PER ZZ-R-765, CLASS 2B	N/A	
COMPONENT	MATERIAL	FINISH	

LOC	DIST	REVISIONS					
—	—	P	LTR	DESCRIPTION	DATE	DWN	APVD
		A		REV PER ECO-07-010180	07JUN07	PY	DW



1. CAPTURED CENTER CONTACT

1051163-1
PART NO.

DESIGNED FOR USE WITH RG 405 (.085) CABLE CABLE ENTRY DIAMETER MINIMUM	
HOUSING	.089
CONTACT	.0374

THIS DRAWING IS A CONTROLLED DOCUMENT.		DWN P. YEAGER 04JUN2007	Tyco Electronics Corporation Harrisburg, PA 17105-3608	
DIMENSIONS: INCHES	TOLERANCES UNLESS OTHERWISE SPECIFIED:	CHK D. WILSON 07JUN07	NAME	
	0 PLC ± -	APVD D. WILSON 07JUN07	OSM RIGHT ANGLE CABLE PLUG DIRECT SOLDER ATTACHMENT M39012/ 80-3003 CAT B	
	1 PLC ± -	PRODUCT SPEC	SIZE	CAGE CODE
	2 PLC ± -	APPLICATION SPEC	DRAWING NO	
	3 PLC ± .005 [0.13]	WEIGHT	RESTRICTED TO	
	4 PLC ± -	—	—	
	ANGLES ± 1±	CUSTOMER DRAWING	SCALE 5:1 SHEET 1 OF 1 REV A	
MATERIAL SEE TABLE	FINISH SEE TABLE	A3 00779 C-1051163		