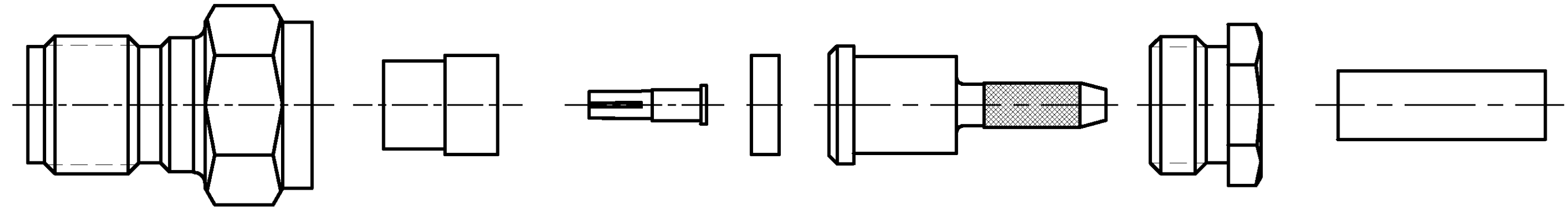


THIS DRAWING IS UNPUBLISHED. RELEASED FOR PUBLICATION N/A, N/A
 © COPYRIGHT N/A BY TYCO ELECTRONICS CORPORATION. ALL RIGHTS RESERVED.

LOC	DIST	REVISIONS			
P	LTR	DESCRIPTION	DATE	DWN	APVD
DF	XO				
	O	REV PER 0G3D-424-02	9-02	JMK	JL

COMPONENT	MATERIAL	FINISH
HOUSING	STAINLESS STEEL PER ASTM-A-484 OR ASTM-A-582 TYPE 303	PASSIVATED PER ASTM-A-380
DIELECTRIC	PTFE FLUOROCARBON PER ASTM-D-1457	
CENTER CONTACT	BERYLLIUM COPPER PER ASTM-B-196 OR 197 ALLOY C17300, CONDITION H	GOLD PLATED PER ASTM-B-488
CLAMP NUT INNER SLEEVE	STAINLESS STEEL PER ASTM-A-484 OR ASTM-A-582 TYPE 303	PASSIVATED PER ASTM-A-380
FERRULE	COPPER OR BRASS ALLOY, ROCKWELL F65 MAX	GOLD PLATED PER ASTM-B-488



AS SHIPPED TO CUSTOMER

ENVIRONMENTAL

TEMPERATURE RATING: -65°C TO +165°C

VIBRATION: MIL-STD-202, METHOD 204, CONDITION D

SHOCK: MIL-STD-202, METHOD 213, CONDITION 1

MOISTURE RESISTANCE: MIL-STD-202, METHOD 106

CORROSION: MIL-STD-202, METHOD 101, CONDITION B. 5% SALT SPRAY

THERMAL SHOCK: MIL-STD-202, METHOD 107, CONDITION B EXCEPT HIGH TEMP 85°C

MECHANICAL

INTERFACE DIMENSIONS: MIL-STD-348A FIG. 310.2

RECOMMENDED MATING TORQUE: 7-10 IN-LBS

FORCE TO ENGAGE & DISENGAGE (IN-LBS MAX): 2.0

WEIGHT (GRAMS): TBD

MATING CHARACTERISTICS: INSERTION (MAX LBS) 2 WITHDRAWAL (MIN OZ): 1

CABLE RETENTION: AXIAL FORCE (LBS) 10 TORQUE (IN-OZ): N/A

CENTER CONTACT CAPTIVATION: AXIAL (LBS): 6.0 RADIAL (IN-OZ): N/A

ELECTRICAL

NORMAL IMPEDANCE (OHMS): 50

FREQUENCY RANGE (GHz): DC TO 12.4

VOLT RATING @ SEA LEVEL (VRMS MAX): 170

VSWR: 1.20+0.025f(GHz)

INSERTION LOSS: (dB MAX): .06 √f(GHz)

RF LEAKAGE (dB MIN): -60 @ 2-3GHz

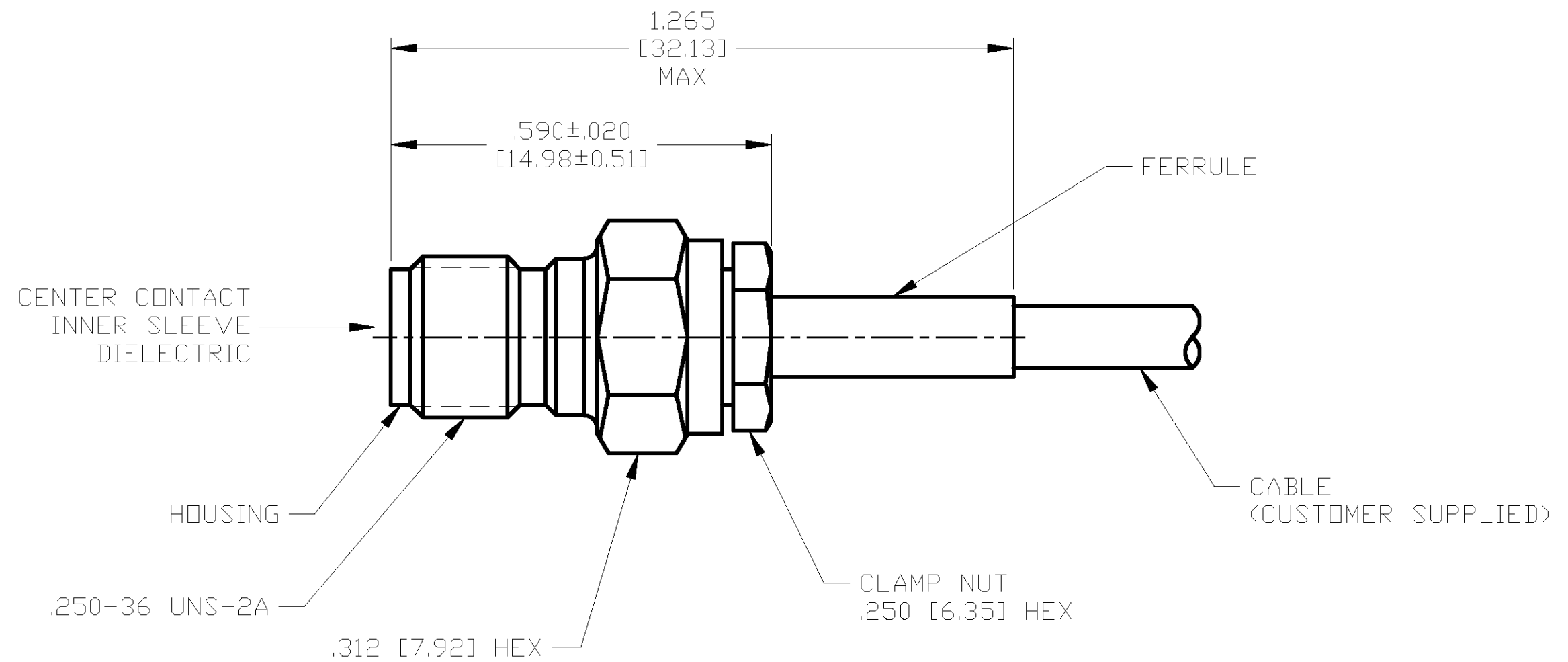
CORONA 70,000 FT (VRMS MIN): 125

DIELECTRIC WITHSTANDING VOLTAGE (VRMS MIN) AT SEA LEVEL: 500

I.R. (MEGOHMS MIN): 5000

RF HIGH POTENTIAL AT SEA LEVEL (VRMS MIN @ 5 MHz): 335

CONTACT RESISTANCE (MILLIOHMS MAX): CENTER CONTACT: 3.0 OUTER CONTACT: 2.0 CABLE TO HOUSING: 0.5



ASSEMBLED VIEW

DESIGNED TO USE RG-178/U OR EQUIVALENT CABLE ENTRY DIAMETER MIN

HOUSING: N/A

CONTACT: N/A

DIELECTRIC: .013 [0.33]

INNER SLEEVE: .037 [0.94]

FERRULE: .098 [2.49]

THIS DRAWING IS A CONTROLLED DOCUMENT.

DIMENSIONS: INCHES [mm]

TOLERANCES UNLESS OTHERWISE SPECIFIED:

0 PLC	±	-
1 PLC	±	-
2 PLC	±	-
3 PLC	±	.005 [0.13]
4 PLC	±	-
ANGLES	±	-

MATERIAL: SEE TABLE

FINISH: SEE TABLE

DWN	J. KAISER	9/10/02	<p>Tyco Electronics Corporation Harrisburg, PA 17105</p>
CHK	J. LIPPERT	10-8-02	
APVD	J. LIPPERT	10-8-02	
PRODUCT SPEC	J. LIPPERT	10-8-02	
APPLICATION SPEC	408-4888		NAME: SMA STRAIGHT CABLE JACK-CRIMP ATTACHMENT (M39012/57B3018) CAT B
WEIGHT	TBD		SIZE: A2 CAGE CODE: 00779 DRAWING NO: 1051911
CUSTOMER DRAWING			RESTRICTED TO: -

1051911-1
PART NO.

1051911

A