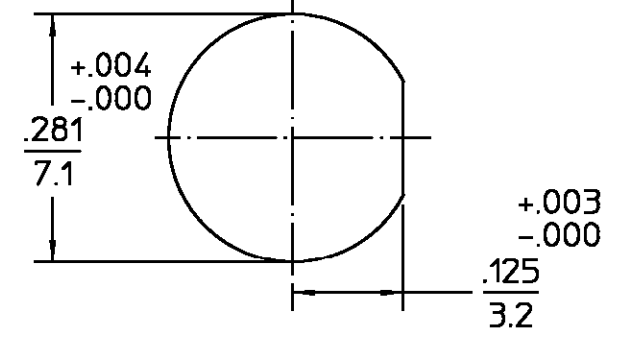


DESIGNED FOR USE WITH RG-142/U CABLE	
CABLE ENTRY DIAMETER MINIMUM	
FERRULE	.216
HOUSING	.121
CONTACT	.041

REVISIONS			
REV	DESCRIPTION	DATE	APPROVED
01 <sub>0</sub>	RELEASED	4/19/99	



RECOMMENDED MOUNTING HOLE

ELECTRICAL	MECHANICAL	ENVIRONMENTAL
Nominal Impedance (Ohms) <u>50</u>	Interface Dimensions MIL-STD-348A, Fig. 310-2	Temperature Rating <u>-65 TO +165°C</u>
Frequency Range (GHz) DC to <u>12.4</u>	Recommended Mating Torque <u>7-10 IN-LBS</u>	Vibration MIL-STD-202, Method 204, Condition D
Volt Rating (VRMS MAX) @ Sea Level <u>335</u>	Mating Characteristics: Insertion (MAX Lbs) <u>2</u>	Shock MIL-STD-202, Method 213, Condition I
VSWR <u>1.15 + 0.01f(GHz)</u>	Withdrawal (MIN Oz) <u>1</u>	Thermal Shock MIL-STD-202, Method 107, Condition B, Except High Temp +85°C
Insertion Loss (dB MAX) <u>.06 √f(GHz)</u>	Force to Engage and Disengage (In-Lbs MAX) <u>2</u>	Moisture Resistance MIL-STD-202, Method 106
RF Leakage (dB MIN) <u>-60</u>	Center Contact Captivation Axial (Lbs) <u>6</u>	Corrosion - MIL-STD-202, Method 101, Condition B, 5% salt spray
Corona, 70,000 Ft (VRMS MIN) <u>250</u>	Radial (In-Oz) <u>N/A</u>	
Dielectric Withstanding Voltage (VRMS MIN) @ Sea Level <u>1,000</u>	Cable Retention Axial Force (Lbs) <u>40</u>	
Contact Resistance (Milliohms MAX) Center Contact <u>3.0</u>	Torque (In-Oz) <u>N/A</u>	
Outer Contact <u>2.0</u>	Weight (Grams) <u>TBD</u>	
Cable to Housing <u>0.5</u>		
RF High Potential @ Sea Level (VRMS MIN @ 5 MHz) <u>670</u>		
I.R.(Megohms MIN) <u>5,000</u>		

COMPONENT	MATERIAL	FINISH
HOUSING MOUNTING NUT LOCKWASHER	STAINLESS STEEL PER ASTM-A484 AND ASTM-A582, TYPE 303	PASSIVATE PER QQ-P-35
DIELECTRIC	PTFE FLUOROCARBON PER ASTM-D-1457	N/A
CENTER CONTACT	BERYLLIUM COPPER PER ASTM-B-196 OR ASTM-B-197, ALLOY C17300, CONDITION H	GOLD PLATE PER MIL-G-45204
O-RING	SILICONE RUBBER PER ZZ-R-765	N/A
FERRULE	COPPER OR BRASS ALLOY ROCKWELL F65 MAXIMUM	GOLD PLATE PER MIL-G-45204

UNLESS OTHERWISE SPECIFIED DIMENSIONS ARE IN INCHES

FRAC. ± 1/64 DEC. ± .005 ANGLES ± 1°

DRAWN BY PATLAN DATE 10-02-98

CHECKED BY

APPD BY DATE 4/19/99

USE ASSY PROCEDURE

NO. A.P. 408-04923 (20-540)

AMP Incorporated  
140 Fourth Avenue  
Waltham, MA 02451-7599

TITLE "OSM" BULKHEAD FEEDTHRU CABLE JACK CRIMP ATTACHMENT M39012/59-3028 CAT B

SIZE B CODE IDENT NO. 26805 2034-8028-92 REV 01<sub>0</sub>

SCALE 5:1 SHEET 1 OF 1

.XXX = in  
XX.X = mm (REF)