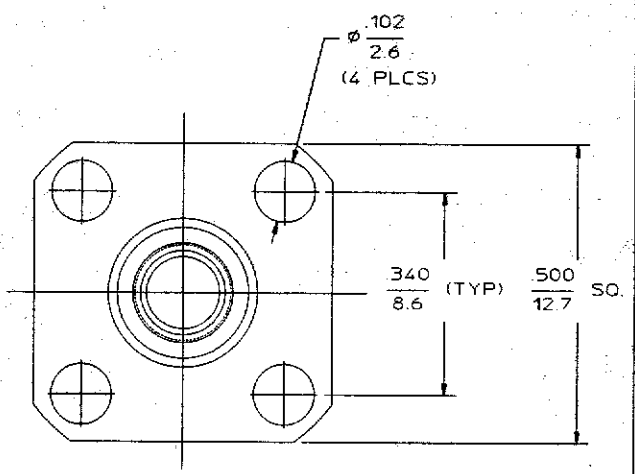
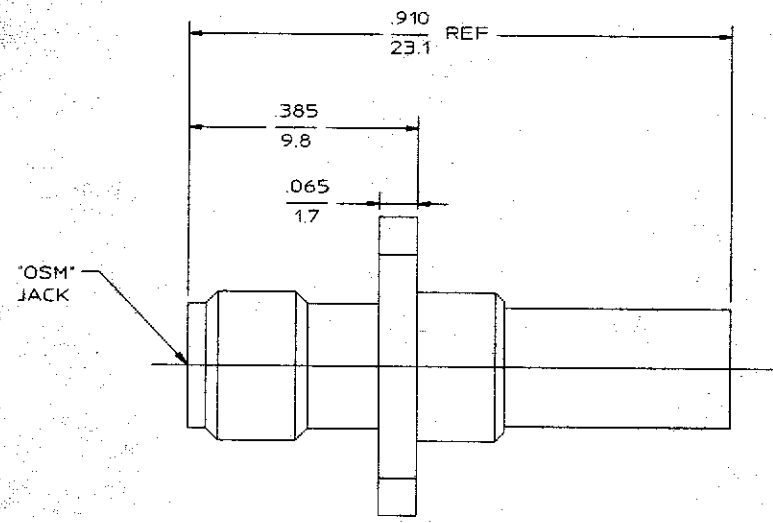


DESIGNED FOR USE WITH	
RG-142/U	
CABLE ENTRY DIAMETER MINIMUM	
FERRULE	.218
HOUSING	.121
CONTACT	.041

REVISIONS			
REV	DESCRIPTION	DATE	APPROVED
01 <sub>0</sub>	RELEASED	11/26/96	<i>RAC</i>



ELECTRICAL
Nominal Impedance (Ohms) 50
Frequency Range (GHz) DC to 12.4
Volt Rating (VRMS MAX)
Sea Level 335
VSWR 1.15 + 0.01(Hz)
Insertion Loss (dB MAX) .06 (7GHz)
RF Leakage (dB MIN) -60
Corona: 70,000 Ft (VRMS MIN) 250
Dielectric Withstanding Voltage (VRMS MIN) Sea Level 1,000
Contact Resistance (Milliohms MAX)
Center Contact 3.0
Outer Contact 2.0
Cable to Housing 0.5
RF High Potential Sea Level (VRMS MIN) 5 MHz 670
IR (Megohms MIN) 5,000

MECHANICAL
Interface Dimensions MIL-STD-348A
Fig. 310-2
Recommended Mating
Torque 7-10 IN-LBS
Mating Characteristics:
Insertion (MAX Lbs) 2
Withdrawal (MIN Oz) 1
Force to Engage and Disengage (In-Lbs MAX) 2
Center Contact Captivation
Axial (Lbs) 6
Radial (In-Oz) N/A
Cable Retention
Axial Force (Lbs) 45
Torque (In-Oz) N/A
Weight (Grams) TBD

ENVIRONMENTAL
Temperature Rating -65 TO +165°C
Vibration MIL-STD-202, Method 204, Condition D
Shock MIL-STD-202, Method 213, Condition I
Thermal Shock MIL-STD-202, Method 107, Condition B, Except High Temp +65°C
Moisture Resistance MIL-STD-202, Method 106
Corrosion - MIL-STD-202, Method 101, Condition B, 5% salt spray

.XXX = in  
XX.X = mm (REF)

COMPONENT	MATERIAL	FINISH
HOUSING	STAINLESS STEEL PER ASTM-A484 AND ASTM-A582, TYPE 303	PASSIVATE PER QQ-P-35
DIELECTRIC	TFE FLUOROCARBON PER ASTM-D-1457	N/A
CENTER CONTACT	BERYLLIUM COPPER PER ASTM-B-196 OR ASTM-B-197, ALLOY C17300, CONDITION H	GOLD PLATE PER MIL-G-45204
FERRULE	COPPER OR BRASS ALLOY ROCKWELL F65 MAXIMUM	GOLD PLATE PER MIL-G-45204

UNLESS OTHERWISE SPECIFIED DIMENSIONS ARE IN INCHES	DRAWN BY K. LE	DATE 9-26-96
FRAC. DEC. ANGLES	CHECKED BY	APPD BY <i>RAC</i>
1/64 .005 .1°		11/26/96

These drawings and specifications are the property of M/A COM Interconnect Div. and shall not be reproduced or copied or used in whole or in part as the basis for the manufacture or sale of items without written permission.

USE ASSY PROCEDURE

NO. AP. 20-534

M/A-COM, Inc. Waltham, MA 02254		
TITLE "OSM" FLANGE MOUNT CABLE JACK CRIMP ATTACHMENT		
SIZE B	CODE IDENT NO 26805	REV 01 <sub>0</sub>
SCALE 5:1	SHEET 1 OF 1	

Customer 1052049 Rev 0  
Sheet 1 of 1