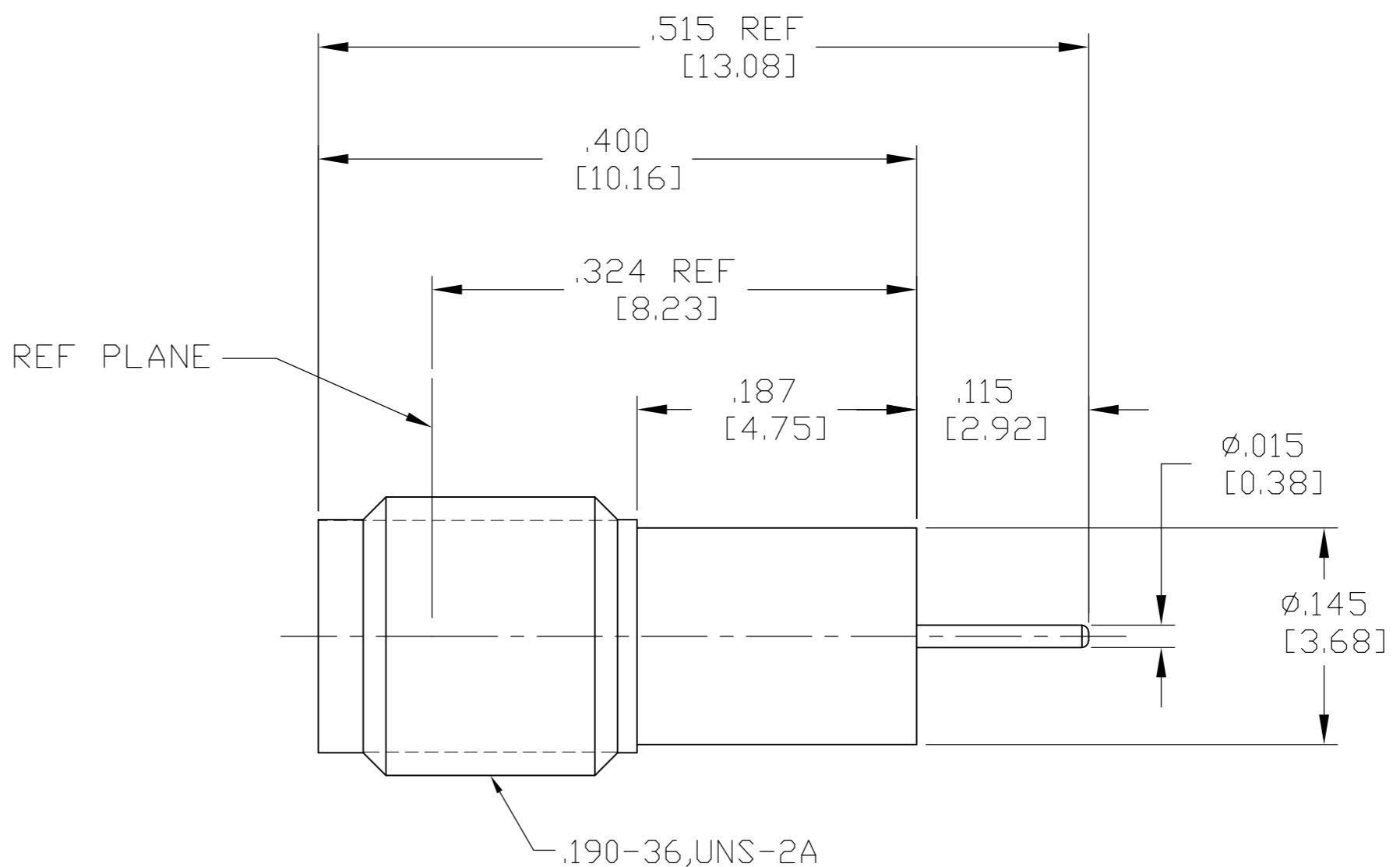


THIS DRAWING IS UNPUBLISHED. RELEASED FOR PUBLICATION
 © COPYRIGHT BY TYCO ELECTRONICS CORPORATION. ALL INTERNATIONAL RIGHTS RESERVED.

LOC		DIST		REVISIONS			
P	LTR	DESCRIPTION	DATE	DWN	APVD		
B		REV PER ECO 09-008960	5-21-09	CT	DW		

COMPONENT	MATERIAL	FINISH
HOUSING	STAINLESS STEEL PER ASTM-A484 AND ASTM-A582, TYPE 303	GOLD PLATE PER ASTM-B-488 OVER NICKEL PLATE PER QQ-N-290
DIELECTRIC	TFE FLUOROCARBON PER ASTM-D-1457	N/A
CENTER CONTACT	BERYLLIUM COPPER PER ASTM B 196, ALLOY C17300, CONDITION H	GOLD PLATE PER ASTM-B-488 OVER COPPER PLATE PER MIL-C-14550
CONTACT EXT.	IRON-NICKEL ALLOY PER MIL-I-23011 CLASS 2	GOLD PLATE PER ASTM-B-488
HERMETIC SEAL	GLASS BEAD	N/A



ELECTRICAL	MECHANICAL	ENVIRONMENTAL
Nominal Impedance (Ohms) 50	Interface Dimensions MIL-STD-348, Fig. _____	TEMPERATURE RATING -65° TO 105°C
Frequency Range (GHz) DC to 26.5	Recommended Mating Torque 7-8 In-Lbs	Vibration MIL-STD-202, Method 204, Condition D
Volt Rating (VRMS MAX) @ Sea Level _____	Mating Characteristics:	Shock MIL-STD-202, Method 213, Condition I
VSWR 1.05 + .014f	Insertion (MAX Lbs) 3	Thermal Shock MIL-STD-202, Method 107, Condition B, Except High Temp
Insertion Loss (dB MAX) .05 √f	Withdrawal (MIN Oz) 1	Moisture Resistance MIL-STD-202, Method 106, Except Vibration
RF Leakage (dB MIN) <-70- (f)	Force to Engage and Disengage (In/Lbs MAX) 2	Shall Be Omitted
Corona, 70,000 Ft (VRMS MIN) N/A	Center Contact Captivation Axial (Lbs) 4	Corrosion - MIL-STD-202, Method 101, Condition B, 5% salt spray
Dielectric Withstanding Voltage (VRMS MIN) @ Sea Level 750	Cable Retention Axial Force (Lbs) N/A	
Contact Resistance (Milliohms MAX) Center Contact 2	Torque (In/Oz) N/A	
Outer Contact 2	Weight (Grams) _____	
Cable to Housing N/A		
RF High Potential @ Sea Level (VRMS MIN @ 5 MHz) 500		
I.R.(Megohms MIN) 5000		

1045646-1
PART NUMBER

THIS DRAWING IS A CONTROLLED DOCUMENT.		DWN C.C.THOMAS 5-21-09	Tyco Electronics Corporation Harrisburg, PA 17105-3608	
DIMENSIONS: INCHES [mm]		CHK D.WILSON 5-21-09	NAME SSMA RCPT PANEL FEED THRU JACK ASSY, HERMETICALLY SEALED, STRAIGHT TERMINAL	
TOLERANCES UNLESS OTHERWISE SPECIFIED:		APVD D.WILSON 5-21-09	SIZE A2 CAGE CODE 00779 DRAWING NO 1045646 RESTRICTED TO	
0 PLC ± -		PRODUCT SPEC	SCALE 10:1 SHEET 1 of 1 REV B	
1 PLC ± -		APPLICATION SPEC		
2 PLC ± -		WEIGHT -		
3 PLC ± .005 [0.13]		CUSTOMER DRAWING		
4 PLC ± -				
ANGLES ± -				
FINISH -				
MATERIAL SEE TABLE				