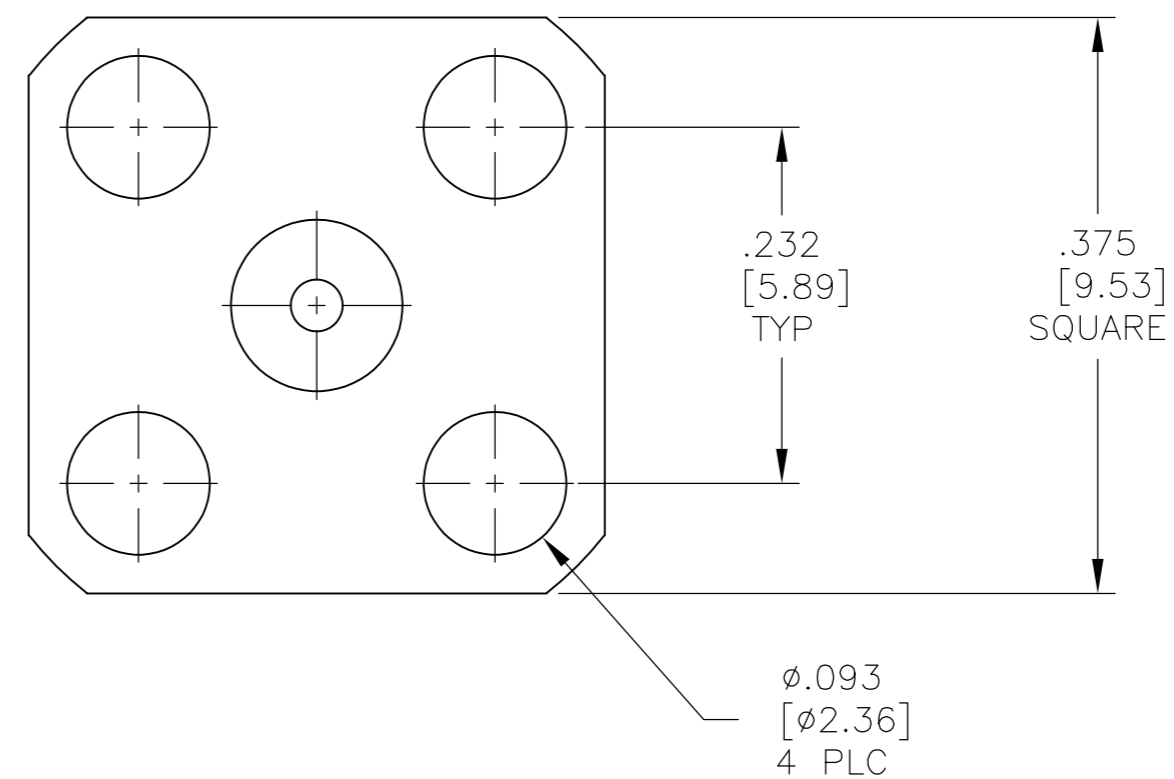
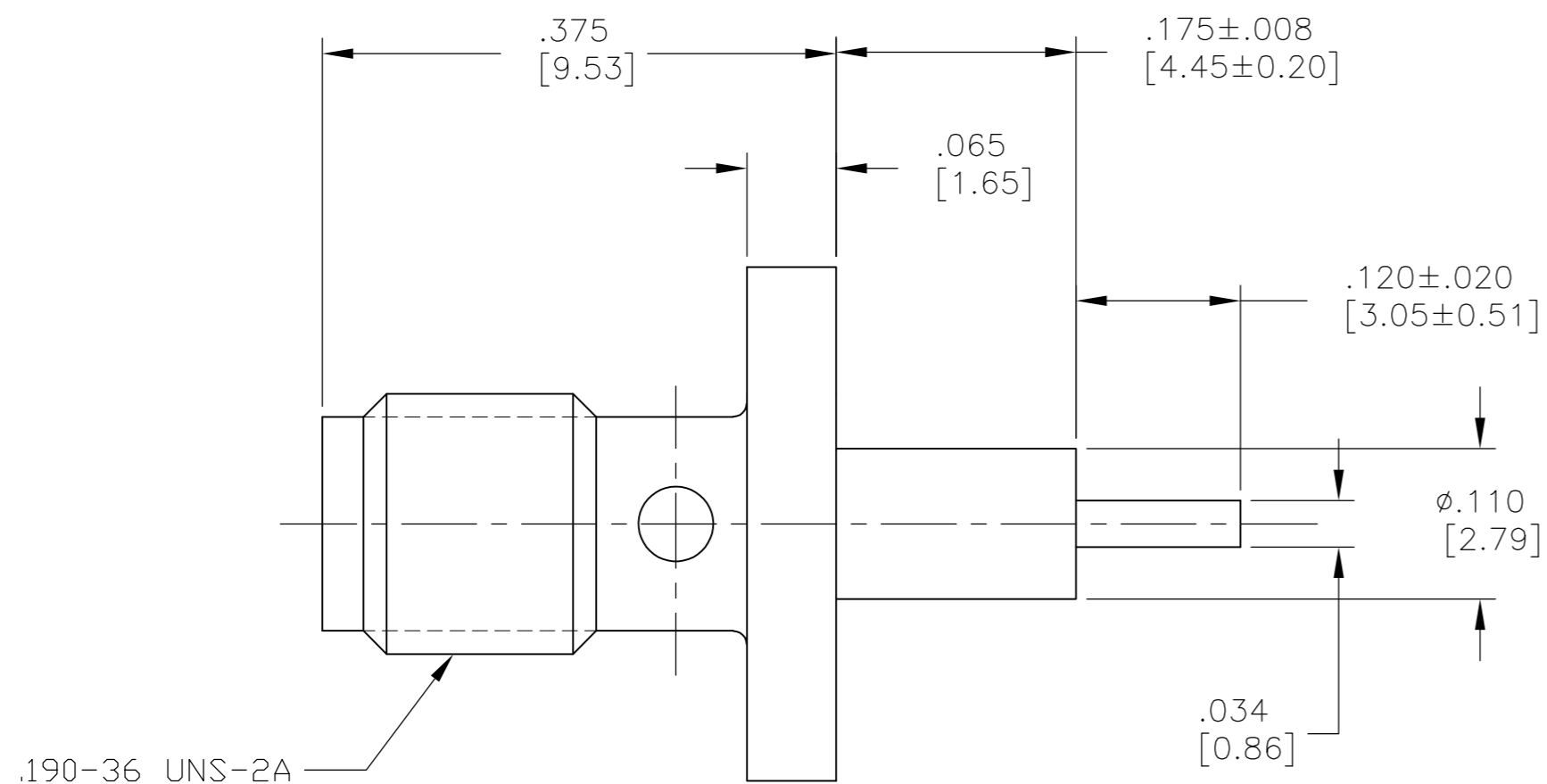


THIS DRAWING IS UNPUBLISHED. RELEASED FOR PUBLICATION  
 © COPYRIGHT - By - ALL RIGHTS RESERVED.

LOC		DIST		REVISIONS			
P	LTR	DESCRIPTION	DATE	DWN	APVD		
-	-	A	RELEASED	6-21-15	CT	DW	



COMPONENT	MATERIAL	FINISH
HOUSING	STAINLESS STEEL PER ASTM-A484 AND ASTM-A582, TYPE 303	GOLD PLATE PER MIL-G-45204
DIELECTRIC	TFE FLUOROCARBON PER ASTM-D-1457	N/A
CENTER CONTACT	BERYLLIUM COPPER PER ASTM-B-196 OR ASTM-B-197, ALLOY C17300, CONDITION H	GOLD PLATE PER MIL-G-45204

1058569-1  
PART NUMBER

THIS DRAWING IS A CONTROLLED DOCUMENT.		DWN C.C.THOMAS 12JUN2015	<b>STE</b> TE Connectivity	
DIMENSIONS: INCHES		CHK D.WILSON 6-12-15		
TOLERANCES UNLESS OTHERWISE SPECIFIED:		APVD D.WILSON 6-12-15	NAME	
0 PLC ± -		PRODUCT SPEC	SSMA 4 HOLE FLANGE MOUNT JACK RECEPTACLE, STRAIGHT TERMINAL	
1 PLC ± -		APPLICATION SPEC	SIZE A2	CAGE CODE 00779
2 PLC ± -		WEIGHT -	DRAWING NO C=1058569	RESTRICTED TO -
3 PLC ± .005 [0.13]		CUSTOMER DRAWING	SCALE NTS	SHEET 1 of 1
4 PLC ± -			REV A	
ANGLES ± -				
MATERIAL SEE TABLE	FINISH SEE TABLE			