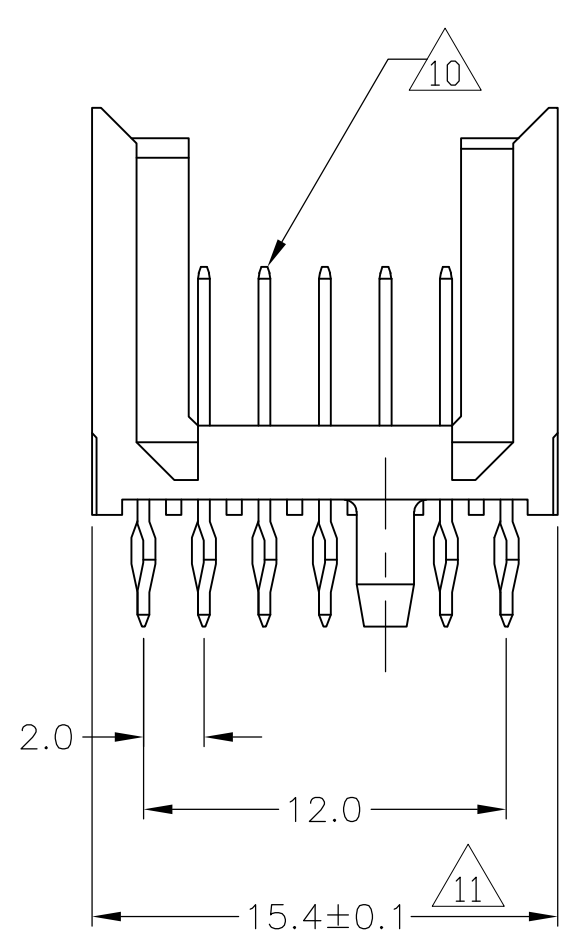
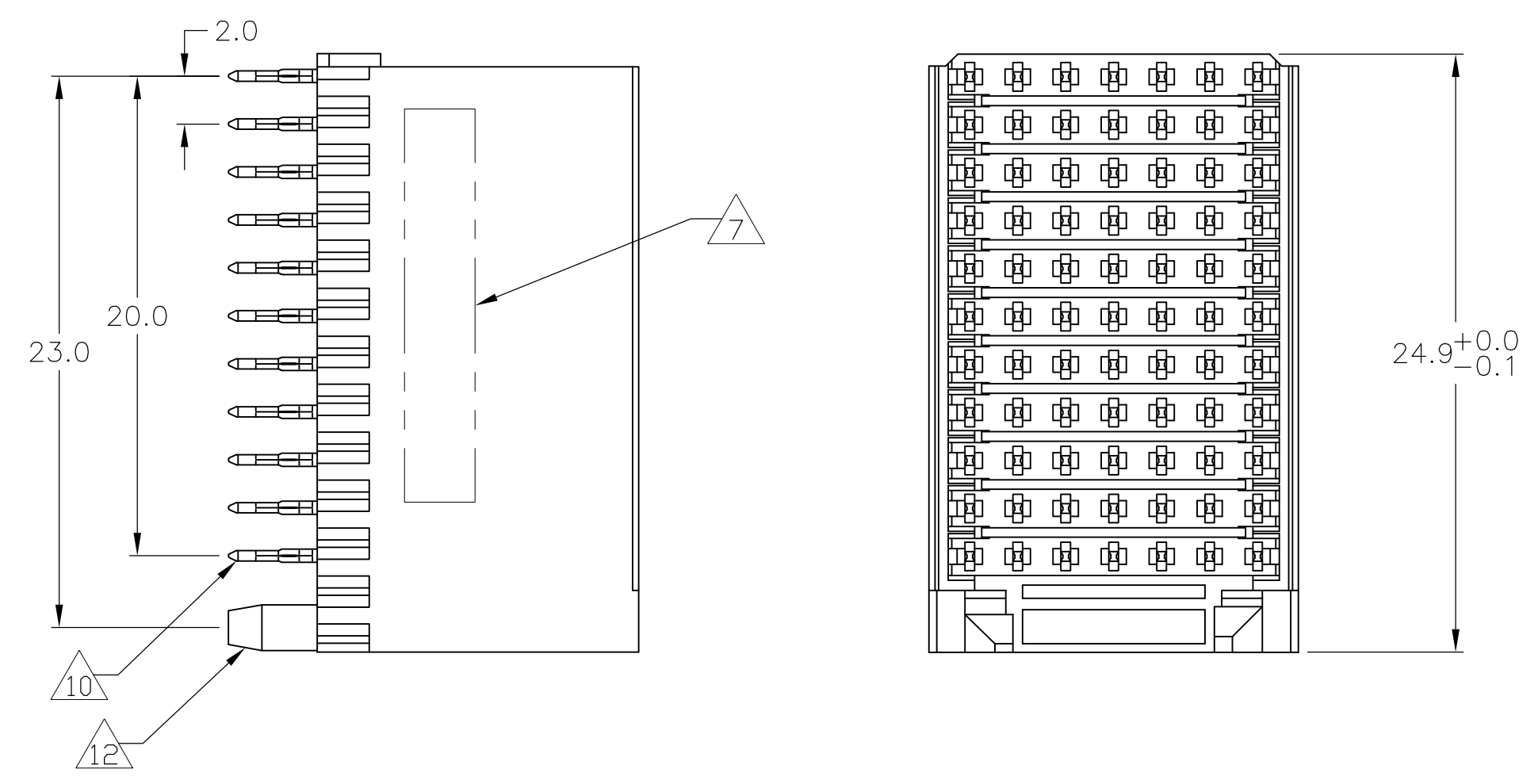


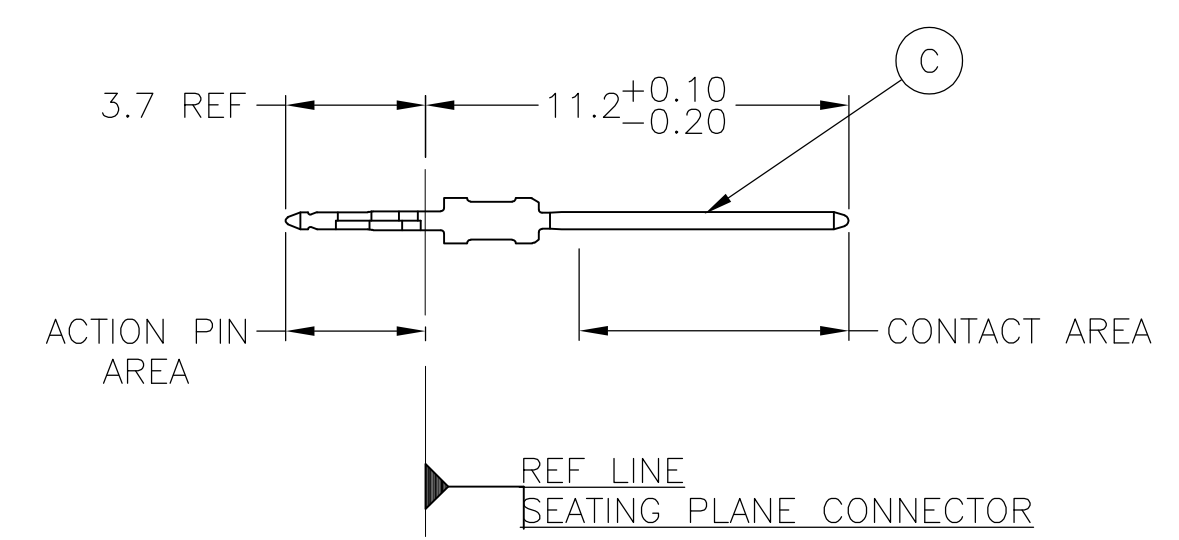
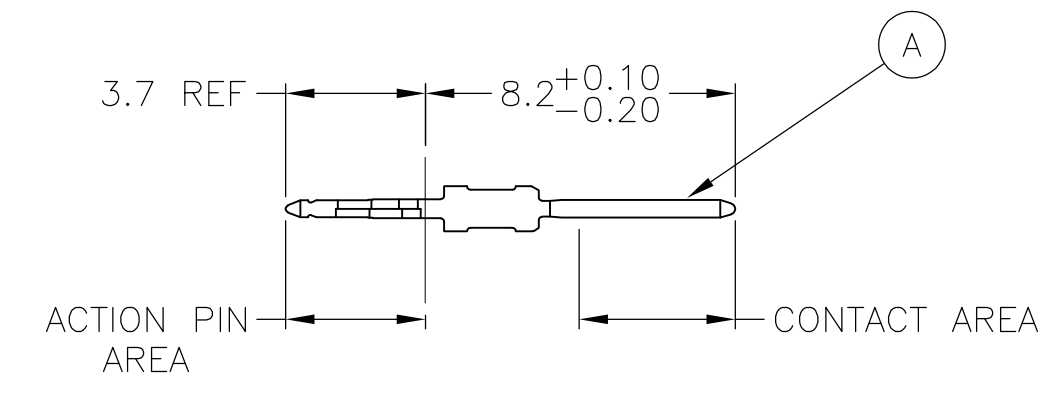
| LOC | | DIST | | REVISIONS | | | |
|-----|----|------|---------|---------------|-----------|----|------|
| AD | 00 | REV | PER | DESCRIPTION | DATE | BY | CHKD |
| | | H2 | REV PER | ECO-10-001916 | 02FEB2010 | JY | SY |
| | | J | ECR | -10-018652 | 10SEP10 | SW | MQW |

CONNECTOR ASSEMBLY EXAMPLARY LOADED



CONTACT DIMENSIONS

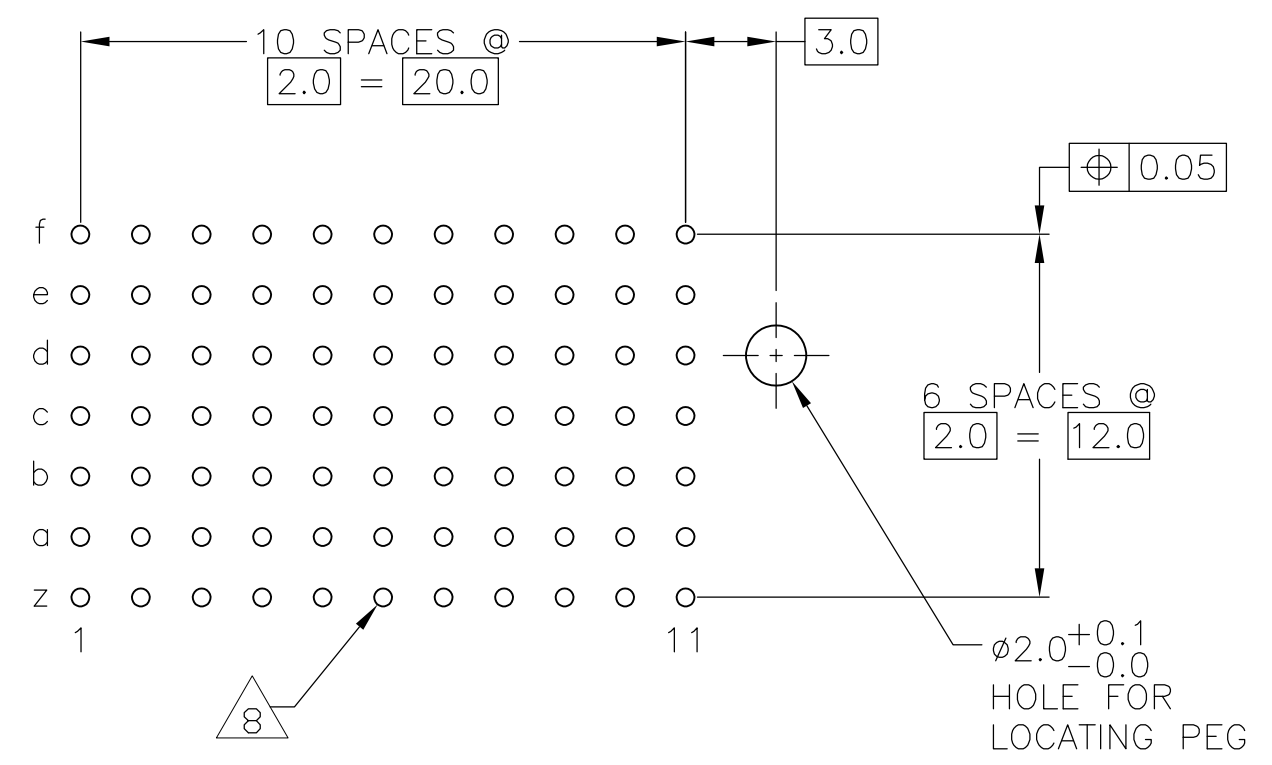
SCALE 5:1



CONTACT LAYOUT

| | z | a | b | c | d | e | f |
|---------|---|---|---|---|---|---|---|
| 1 | C | A | A | A | A | A | C |
| 2 | C | A | A | A | A | A | C |
| 3 | C | A | A | A | A | A | C |
| 4 | C | A | A | A | A | A | C |
| 5 | C | A | A | A | A | A | C |
| 6 | C | A | A | A | A | A | C |
| 7 | C | A | A | A | A | A | C |
| 8 | C | A | A | A | A | A | C |
| 9 | C | A | A | A | A | A | C |
| 10 | C | A | A | A | A | A | C |
| 11 | C | A | A | A | A | A | C |
| GUIDING | | | | | | | |

RECOMMENDED PCB-HOLE LAYOUT COMPONENT SIDE SHOWN



PLATED THRU HOLES PARAMETERS

REFERENCE APPLICATION SPECIFICATION

| | | |
|----------------|--------|-------------|
| OBSOLETE 14 | 2 3 15 | 3-106081-0 |
| | 2 6 13 | 1-106081-9 |
| | 2 5 13 | 106081-9 |
| | 2 4 | 106081-4 |
| | 2 3 | 106081-1 |
| FINISH | | PART NUMBER |

| | | | | |
|--|--|------------------------------|---|--|
| THIS DRAWING IS A CONTROLLED DOCUMENT. | | DIN B CARBO 24JAN05 | Tyco Electronics Corporation Harrisburg, Pa 17105-3608 | |
| DIMENSIONS: mm | | CHK G SKIPPER 24JAN05 | NAME MALE ASSEMBLY, Z-PACK 2mm HM, TYPE C | |
| TOLERANCES UNLESS OTHERWISE SPECIFIED: | | APVD G SKIPPER 24JAN05 | PRODUCT SPEC 108-19082 | |
| 0-PLC ± | | APPLICATION SPEC 114-19029 | | |
| 1-PLC ± 0.2 | | SIZE A1 | | |
| 2-PLC ± 0.02 | | CAGE CODE 00779 | | |
| 3-PLC ± 0.005 | | DRAWING NO. 106081 | | |
| 4-PLC ± 0.002 | | RESTRICTED TO | | |
| ANGLES ± 0.30° | | WEIGHT | | |
| MATERIAL 1 | | CUSTOMER DRAWING | | |
| SEE TABLE | | SCALE 4:1 SHEET 1 OF 2 REV J | | |

| LOC | | DIST | | REVISIONS | | | |
|-----|-----|-------------|------|-----------|------|---|---|
| IF | LTR | DESCRIPTION | DATE | DRN | APVD | | |
| AD | 00 | SEE SHEET 1 | - | - | - | - | - |

- 1 MATERIAL:
CONTACT: PHOSPHOR BRONZE.
HOUSING: GLASS-FILLED POLYESTER.
- 2 GENERAL PLATING SPECIFICATION: UNDERPLATING
(ENTIRE CONTACT): 1.27µm MIN NICKEL AND ACTION
PIN: 0.5µm MIN TIN LEAD.
FOR PLATING OF MATING SURFACES SEE APPLICABLE
SPECIFICATION REFERENCE FOR EACH DASH NUMBER.
- 3 CONFORMS TO ALL TESTING ACCORDING TO IEC 61076-4-101
PERFORMANCE LEVEL 2.
- 4 CONFORMS TO ALL TESTING ACCORDING TO IEC 61076-4-101
PERFORMANCE LEVEL 1.
- 5 CONNECTOR TESTED AND QUALIFIED AGAINST TELCORDIA GR-1217-CORE QUALITY LEVEL 3,
CENTRAL OFFICE APPLICATIONS.
- 6 CONNECTOR TESTED AND QUALIFIED AGAINST TELCORDIA GR-1217-CORE QUALITY LEVEL 3,
UNCONTROLLED ENVIROMENT APPLICATIONS.
- 7 CONNECTOR MARKED WITH PART NUMBER AND DATE CODE.
ADDITIONAL CHARACTERS OR MARKINGS, AS WELL AS THE LOCATION OF THE MARKINGS,
MAY BE ADDED FOR TRACEABILITY BASED UPON MANUFACTURERS DISCRETION.
- 8 PLATED-THROUGH HOLES AT 2x2mm SQUARE GRID
PATTERN DEFINED BY CONTACT LAYOUT.
- 9 FOR ACTUAL PIN LOADING SEE "CONTACT LAYOUT".
- 10 FOR ACTUAL PIN DIMENSIONS SEE "CONTACT DIMENSIONS".
- 11 TO BE MEASURED AT BOTTOM OF SHROUD.
- 12 LOCATION PEG.
- 13 CONNECTOR LUBRICATED WITH BELCORE APPROVED LUBRICANT,
TECHNICAL REFERENCE: TR-NWT-001217 ISSUE 1, SEP 1992.
- 14 OBSOLETE PARTS: OBSOLETE CIS STREAMLINING PER D.RENAUD/D.SINISI
- 15 0.76µm MIN GOLD PLATING AT MATING SURFACES.

| | | | | |
|--|--|-------------------------------|---|------------------------------|
| THIS DRAWING IS A CONTROLLED DOCUMENT. | | DRN B CARBO 24JAN05 | Tyco Electronics Corporation Harrisburg, Pa 17105-3608 | |
| DIMENSIONS: mm | | CHK G.SKIPPER 24JAN05 | NAME G.SKIPPER 24JAN05 | |
| TOLERANCES UNLESS OTHERWISE SPECIFIED: 0-PLC ± 1-PLC ±0.2 2-PLC ±0.02 3-PLC ±0.005 4-PLC ± ANGLES ±0.30° | | PRODUCT SPEC 108-19082 | MALE ASSEMBLY, Z-PACK 2mm HM, TYPE C | |
| MATERIAL SEE SHEET 1 | | APPLICATION SPEC 114-19029 | SIZE A1 | RESTRICTED TO - |
| FINISH SEE SHEET 1 | | WEIGHT - | CAGE CODE 00779 | DRAWING NO 106081 |
| | | CUSTOMER DRAWING | | SCALE 4:1 SHEET 2 OF 2 REV J |