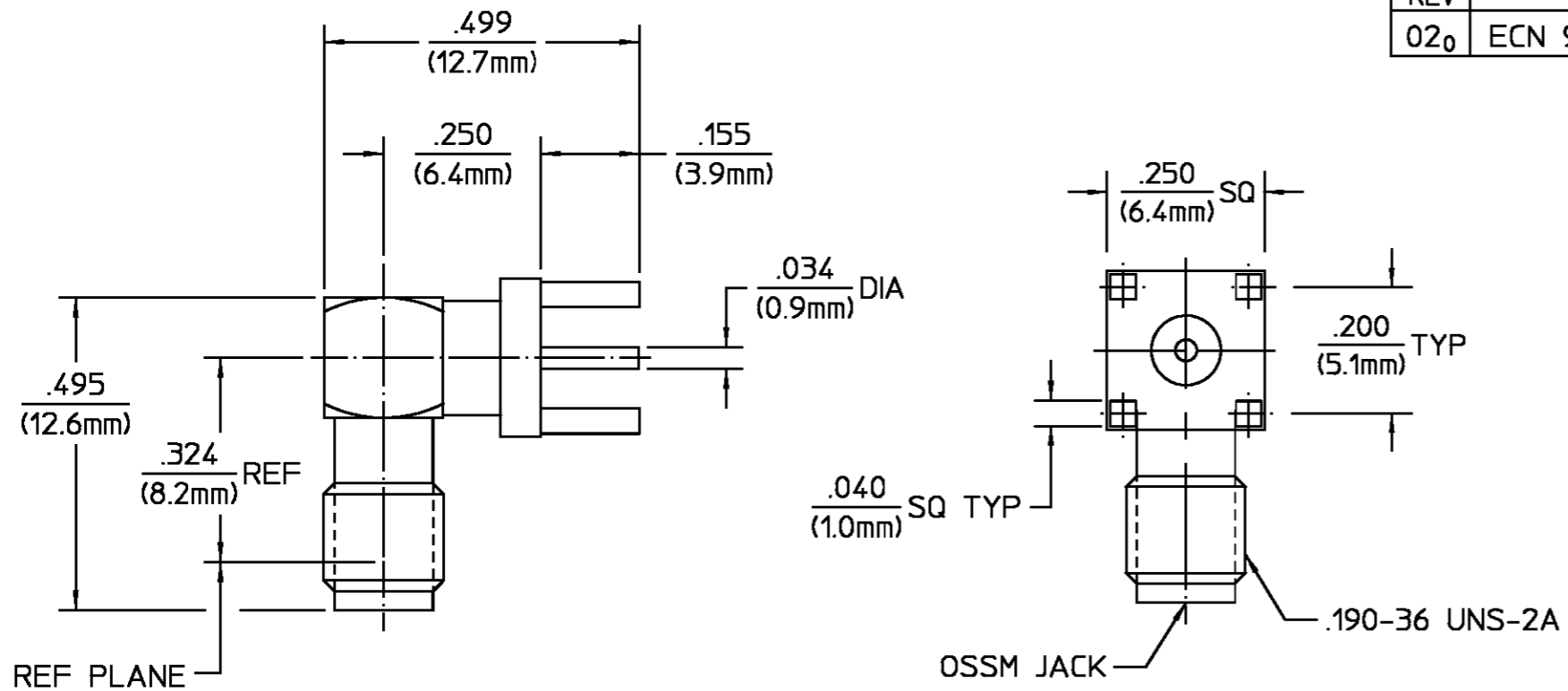


REVISIONS			
REV	DESCRIPTION	DATE	APPROVED
020	ECN 92-0591-2	2/1/93	AD BB 2/3/93



ELECTRICAL	MECHANICAL	ENVIRONMENTAL
Nominal Impedance (Ohms) <u>50</u>	Interface Dimensions MIL-STD-348A, Fig. 319.2	Temperature Rating <u>-55°C to +125°C</u>
Frequency Range (GHz) DC to <u>18</u>	Recommended Mating	Vibration MIL-STD-202, Method 204, Condition D
Volt Rating (VRMS MAX)	Torque <u>7 to 8 In-Lbs</u>	Shock MIL-STD-202, Method 213, Condition I
@ Sea Level <u>250</u>	Mating Characteristics:	Thermal Shock MIL-STD-202, Method 107, Condition B, Except High Temp Shall Be +115°C
VSWR <u>N/A</u>	Insertion (MAX Lbs) <u>3</u>	Moisture Resistance MIL-STD-202, Method 106
Insertion Loss (dB MAX) <u>N/A</u>	Withdrawal (MIN Oz) <u>1</u>	Corrosion - MIL-STD-202, Method 106, No Measurements at High Humidity
RF Leakage (dB MIN) <u>N/A</u>	Force to Engage and Disengage (In-Lbs MAX) <u>2</u>	
Corona, 70,000 Ft (VRMS MIN) <u>190</u>	Center Contact Captivation	
Dielectric Withstanding Voltage (VRMS MIN) @ Sea Level <u>750</u>	Axial (Lbs) <u>6</u>	
Contact Resistance (Milliohms MAX)	Radial (In-Oz) <u>4</u>	
Center Contact <u>2.0</u>	Weight (Grams) <u>TBD</u>	
Outer Contact <u>2.0</u>		
RF High Potential @ Sea Level (VRMS MIN @ 5 MHz) <u>500</u>		
I.R.(Megohms MIN) <u>5000</u>		

COMPONENT	MATERIAL	FINISH
HOUSING CAP	STAINLESS STEEL PER ASTM-A484 AND ASTM-A582, TYPE 303	GOLD PLATE PER MIL-G-45204 OVER NICKEL PLATE PER QQ-N-290
DIELECTRIC	TFE FLUOROCARBON PER ASTM-D-1457	N/A
CENTER CONTACT	BERYLLIUM COPPER PER ASTM B 196, ALLOY C17300, CONDITION H	GOLD PLATE PER MIL-G-45204 OVER COPPER PLATE PER MIL-C-14550

UNLESS OTHERWISE SPECIFIED DIMENSIONS ARE IN INCHES TOLERANCE ON	DRAWN BY EJC DATE 12/1/71	AMP Incorporated 140 Fourth Avenue Waltham, MA 02451-7599
FRAC. DEC. ANGLES	CHECKED BY PRB DATE 12/6/71	
± 1/64 ±.005 ± °	APPD BY RW DATE 12/6/71	

USE ASS'Y PROCEDURE	TITLE OSSM RIGHT ANGLE PRINTED WIRING BOARD JACK STRAIGHT TERMINAL		
NO. AP. <u>N/A</u>	SIZE B	CODE IDENT NO. 26805	REV 020
	SCALE 4:1	1064-0000-00	SHEET 1 OF 1

CUSTOMER DRAWING

AMP PART # 1045677-1
SHEET 1 OF 1 REV A