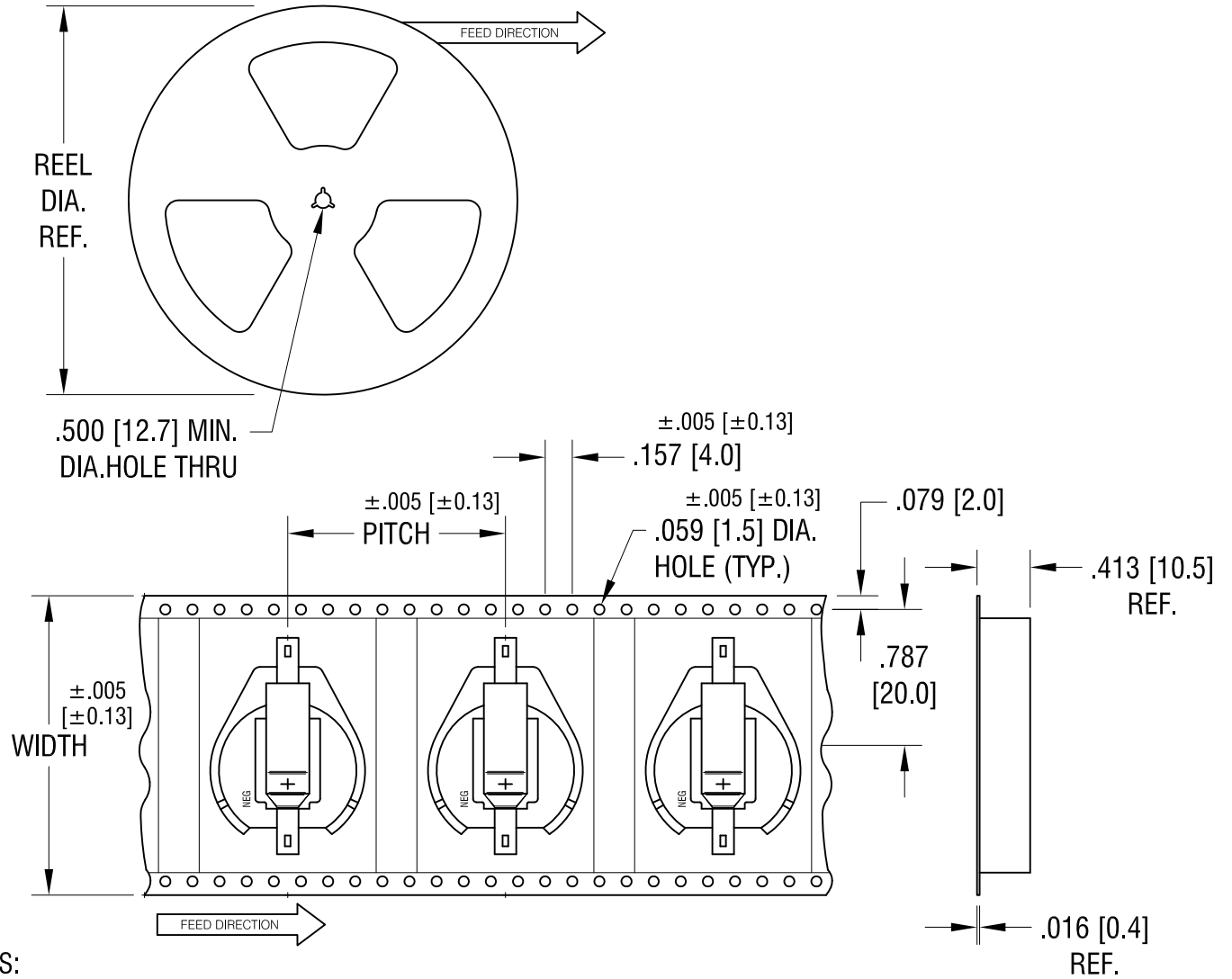


THIS DOCUMENT IS THE PROPERTY OF KEYSTONE ELECTRONICS CORP. AND SHALL NOT BE REPRODUCED, DISTRIBUTED OR USED AS A BASIS FOR MANUFACTURE WITHOUT PRIOR WRITTEN PERMISSION FROM KEYSTONE ELECTRONICS CORP.



NOTES:

TAPE AND REEL SPECIFICATIONS:

1. TAPE:

MAT'L - ALL CONDUCTIVE POLYSTYRENE CARRIER
 ANSI/EIA-481 STANDARD
 1.732 [44.0] WIDE; 1.260 [32.0] PITCH

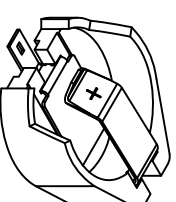
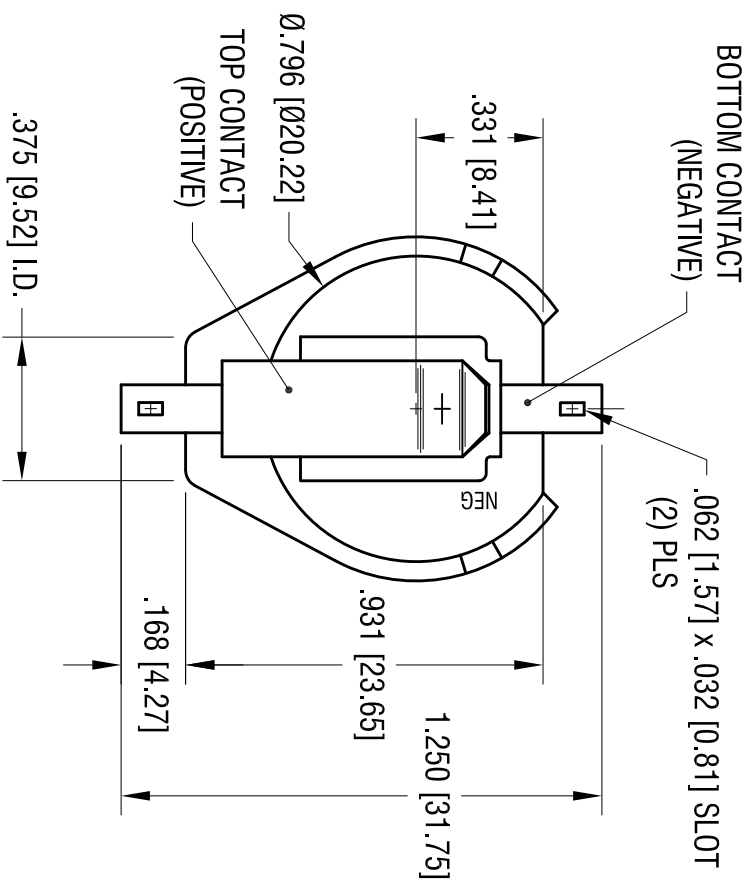
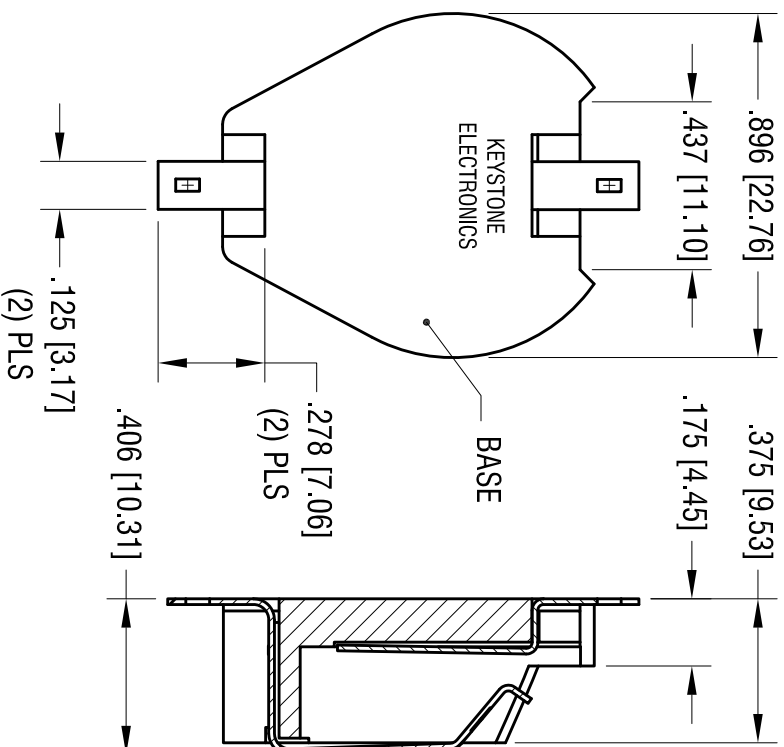
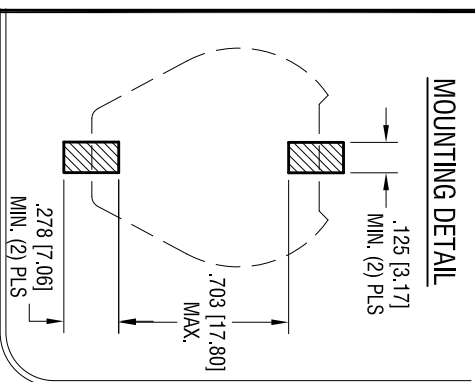
2. REEL:

13.0 [330.2] DIA. 200 PIECES OF
 PART NO. 1064 PER REEL.

KEYSTONE ELECTRONICS CORP.			
www.keyelco.com • ASTORIA, N.Y. 11105-2017 • Tel (718) 956-8900			
PART NAME			
20mm SM COIN CELL HOLDER ON TAPE			
MATERIAL			
AS NOTED			
FINISH		DRN BY	DATE
AS NOTED		BOONE	5.8.00
		APP'D	SCALE
		LN	X
TOLERANCES	INCH [MM]	CODE	DWG NO.
DECIMAL	± .015 [± 0.38]	C	1064TR
ANGULAR	± 1°		
UNLESS OTHERWISE SPECIFIED			

DATE	DESCRIPTION	REV.	
------	-------------	------	--

DATE	DESCRIPTION	REV.
9.17.04	CHANGE AS PER ECN 04-107	B
11.04.11	CHANGE AS PER ECN 11-149	C
3.20.19	CHANGE AS PER ECN19-038	D



ACTUAL SIZE

THIS DOCUMENT IS THE PROPERTY OF KEYSTONE ELECTRONICS CORP. AND SHALL NOT BE REPRODUCED, DISTRIBUTED OR USED AS A BASIS FOR MANUFACTURE WITHOUT PRIOR WRITTEN PERMISSION FROM KEYSTONE ELECTRONICS CORP.

KEYSTONE ELECTRONICS CORP.			
www.keystelco.com • NEW HYDE PARK, NY 11040 • Tel (516) 328-7500			
PART NAME DUAL 20mm BATTERY HOLDER, SMT			
MATERIAL AS NOTED			
FINISH AS NOTED	DRN BY BOONE	DATE 8.09.95	
TOLERANCES DECIMAL ± .010 [± 0.25] ANGULAR ± 1°	CODE C	DWG NO. LN	SCALE 2X
		1064	

NOTES:

1. BASE:
MAT'L - HIGH TEMPERATURE NYLON (UL 94V-0)
COLOR BLACK
2. CONTACTS (TOP AND BOTTOM):
MAT'L - .015 [0.38] THK SPRING STEEL
FINISH: TIN NICKEL PLATE