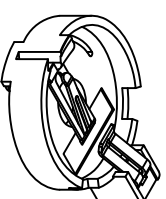
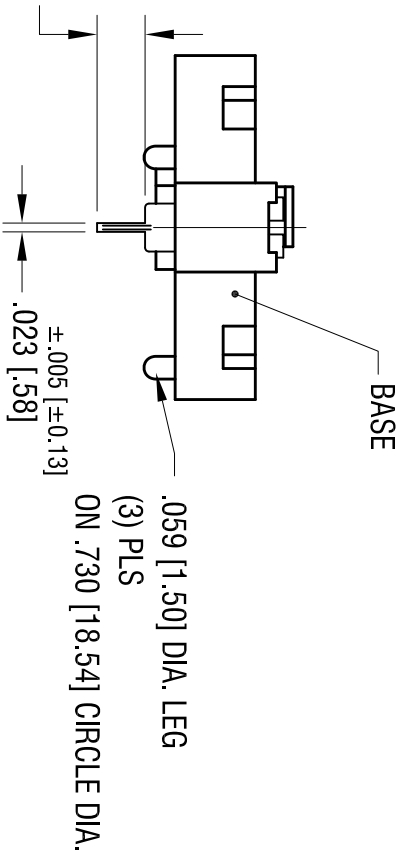
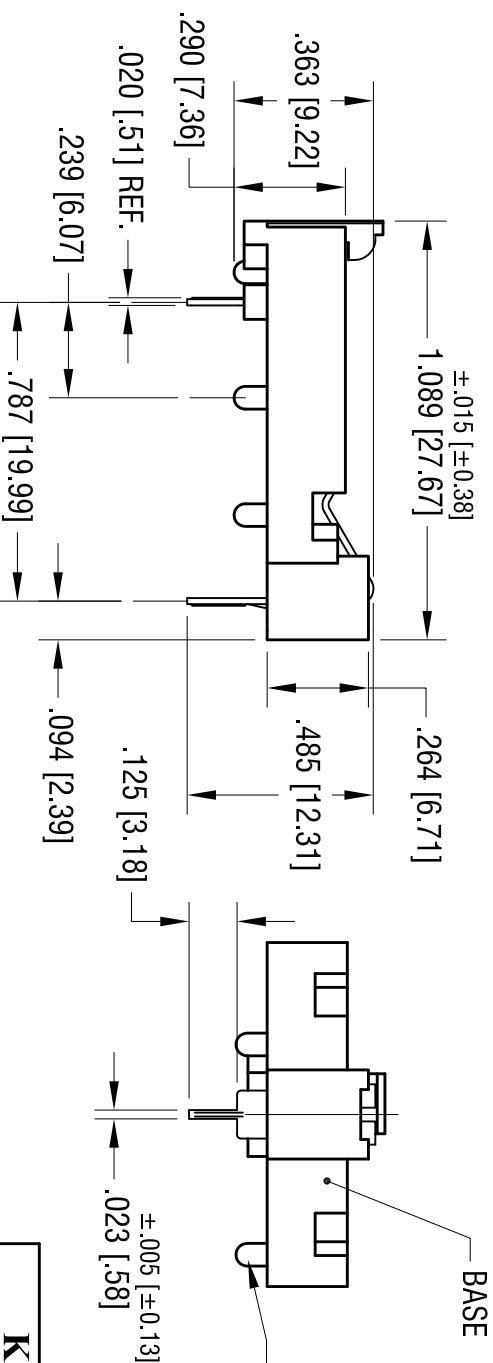
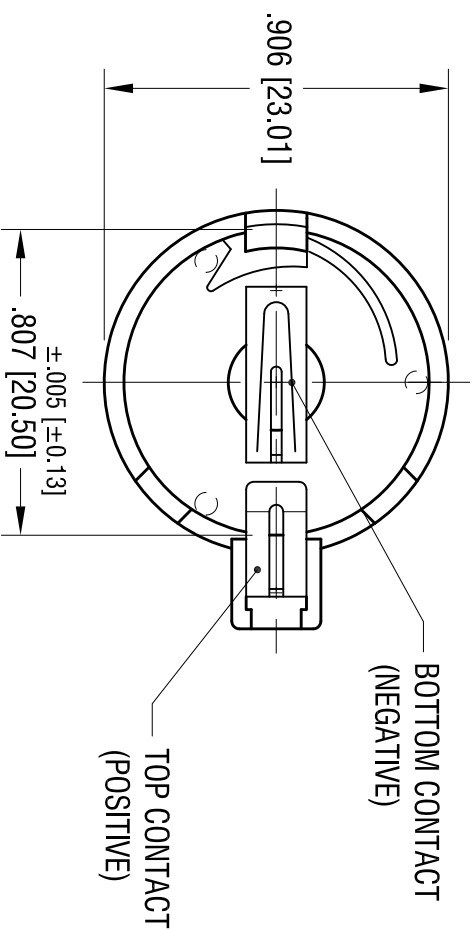
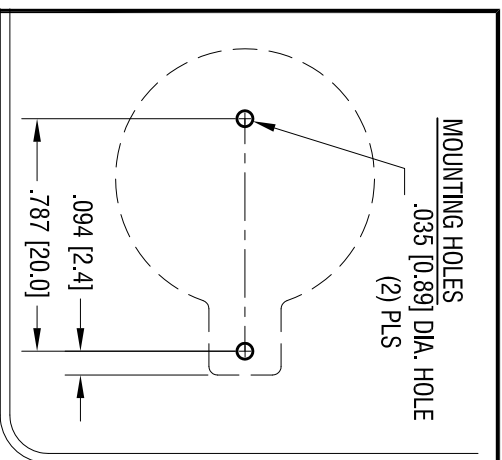


DATE	DESCRIPTION	REV.
11.09.04	CHANGE AS PER ECN 04-137	C
2.05.10	CHANGE AS PER ECN 10-010	D
6.14.10	CHANGE AS PER ECN 10-040	E



ACTUAL SIZE

- NOTES:
1. BASE:
MATEL - GLASS FILLED NYLON (UL 94V-0)
COLOR BLACK
 2. CONTACTS (TOP AND BOTTOM):
MATEL - .016 [0.41] THK PHOSPHOR BRONZE
FINISH: TIN PLATE, OVER COPPER

KEYSTONE ELECTRONICS CORP.			
www.keystone.com • NEW HYDE PARK, NY 11040 • Tel (516) 328-7500			
PART NAME COMPACT 20mm BATTERY HOLDER			
MATERIAL AS NOTED			
FINISH AS NOTED		DRN BY NT	
DATE 5.13.98		SCALE 2X	
TOLERANCES INCH [MM] DECIMAL ± .010 [± 0.25] ANGULAR ± 1°		CODE C	
UNLESS OTHERWISE SPECIFIED		DWG NO. 1066	

THIS DOCUMENT IS THE PROPERTY OF KEYSTONE ELECTRONICS CORP. AND SHALL NOT BE REPRODUCED, DISTRIBUTED OR USED AS A BASIS FOR MANUFACTURE WITHOUT PRIOR WRITTEN PERMISSION FROM KEYSTONE ELECTRONICS CORP.