

# TK 2518f – Polystyrene and Polycarbonate – 254 x 180 mm (10.0 x 7.09 in.)

## Standard Features

- **Protection Level:** IP66 (NEMA Type: 4X with gray cover, 12K with transparent cover)
- **Technical:** Smooth or Knockout Sidewalls  
Gray or Tinted Transparent Cover  
Multiple Enclosure Mounting Options
- **UL Recognized**  
**Enclosure Materials:** Polystyrene or Polycarbonate
- **Gasket Material:** Polyurethane
- **Color:** Light Gray
- **Material**  
**Temperature Range:** Polystyrene  
-40°C to 70°C (-40°F to 158°F)  
Polycarbonate  
-40°C to 120°C (-40°F to 248°F)
- **Accessories:** See section below



### Smooth Sidewalls

		Polystyrene				Polycarbonate			
Ordering Information	Height mm (in)	Cat. No.	Type	Cover Color	Std. Pk.	Cat. No.	Type	Cover Color	Std. Pk.
☐ Enclosure - low cover	63 mm (2.48 in)	110-411	PS 2518-6f-o	gray	1	120-411	PC 2518-6f-o	gray	1
☐ Enclosure - high cover	84 mm (3.31 in)	110-911	PS 2518-8f-o	gray	1	120-911	PC 2518-8f-o	gray	1
☐ Enclosure - top hat cover	137 mm (5.39 in)	109-411	PS 2518-14f-o	gray	1	121-411	PC 2518-14f-o	gray	1
☐ Enclosure - low cover	63 mm (2.48 in)	111-011	PS 2518-6f-to	trans.	1	130-011	PC 2518-6f-to	trans.	1
☐ Enclosure - high cover	84 mm (3.31 in)	111-511	PS 2518-8f-to	trans.	1	130-511	PC 2518-8f-to	trans.	1
☐ Enclosure - top hat cover	137 mm (5.39 in)	112-011	PS 2518-14f-to	trans.	1	131-011	PC 2518-14f-to	trans.	1

### Sidewalls with Metric Knockouts

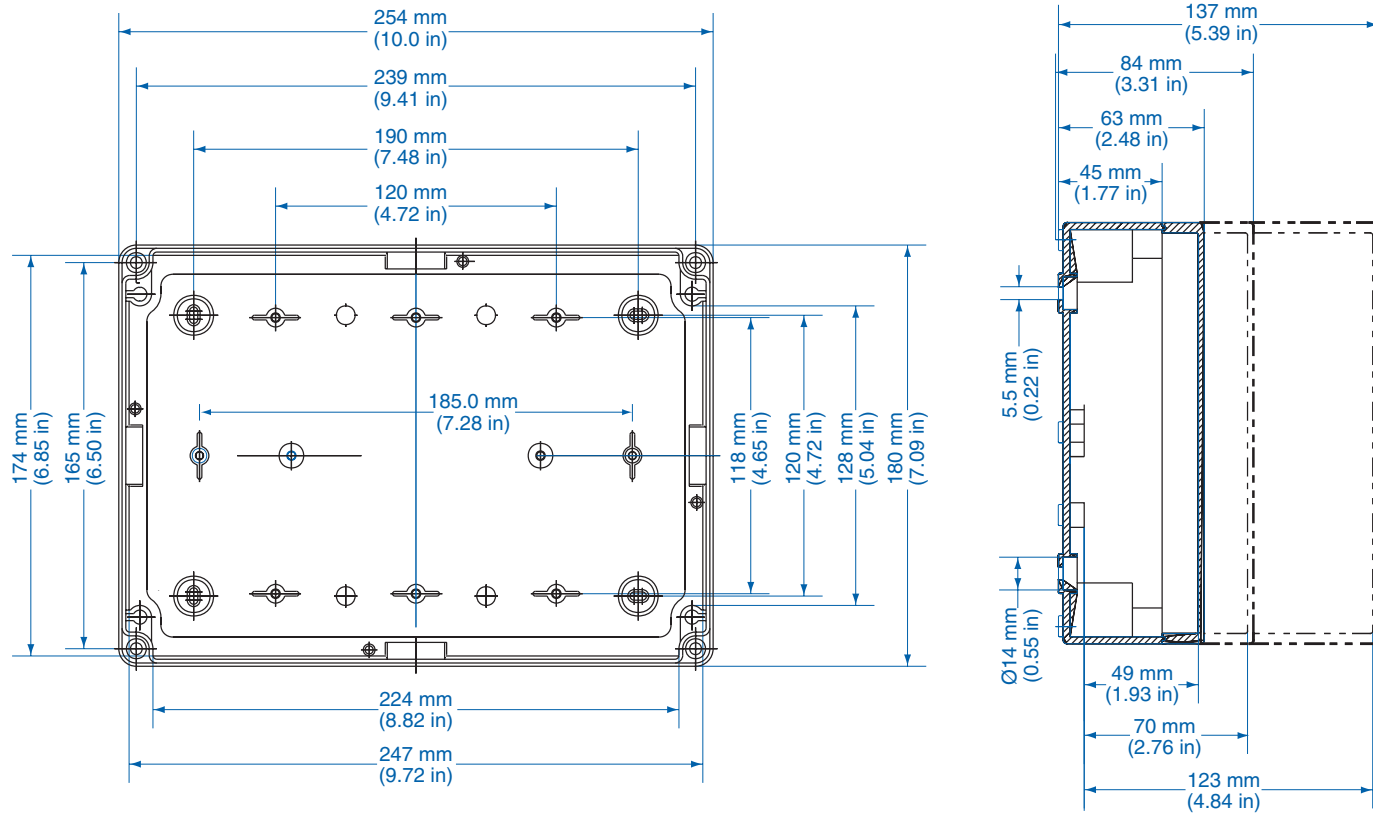
		Polystyrene				Polycarbonate			
Ordering Information	Height mm (in)	Cat. No.	Type	Cover Color	Std. Pk.	Cat. No.	Type	Cover Color	Std. Pk.
☐ Enclosure - low cover	63 mm (2.48 in)	105-411	PS 2518-6f-m	gray	1	127-411	PC 2518-6f-m	gray	1
☐ Enclosure - high cover	84 mm (3.31 in)	105-911	PS 2518-8f-m	gray	1	127-911	PC 2518-8f-m	gray	1
☐ Enclosure - top hat cover	137 mm (5.39 in)	104-411	PS 2518-14f-m	gray	1	128-411	PC 2518-14f-m	gray	1
☐ Enclosure - low cover	63 mm (2.48 in)	106-011	PS 2518-6f-tm	trans.	1	137-011	PC 2518-6f-tm	trans.	1
☐ Enclosure - high cover	84 mm (3.31 in)	106-511	PS 2518-8f-tm	trans.	1	137-511	PC 2518-8f-tm	trans.	1
☐ Enclosure - top hat cover	137 mm (5.39 in)	107-011	PS 2518-14f-tm	trans.	1	138-011	PC 2518-14f-tm	trans.	1

### Accessories

Ordering Information	Cat. No.	Type	Std. Pk.
Mounting Plate (plastic)	195-008	TKMPI-2518	1
Mounting Plate (steel)	197-008	TKMPS-2518	1
DIN Rail TS35-216mm	198-216	TS 35/216	1
Hinge Kit Set	190-005	HK2	1
Mounting Tab Kit	194-001	MT1	1

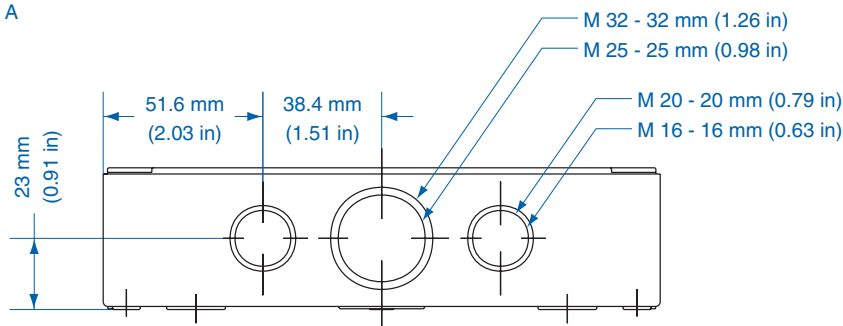
Please refer to pages 149-152 for additional accessories and detailed information.

Dimensions



Knockout Positions

Side A



Side B

