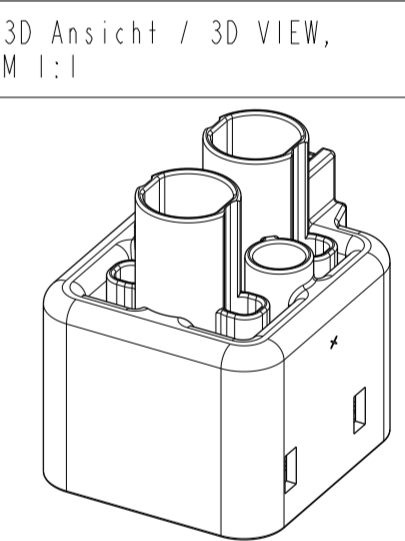
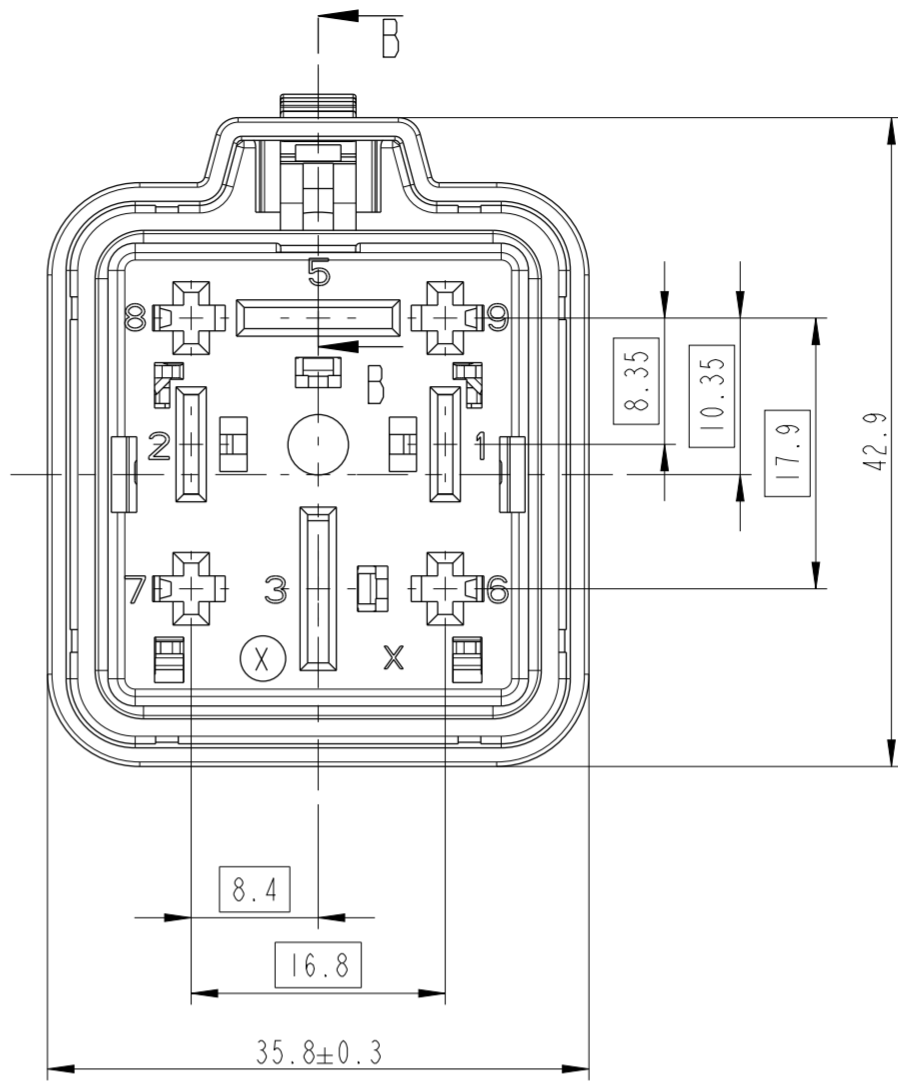
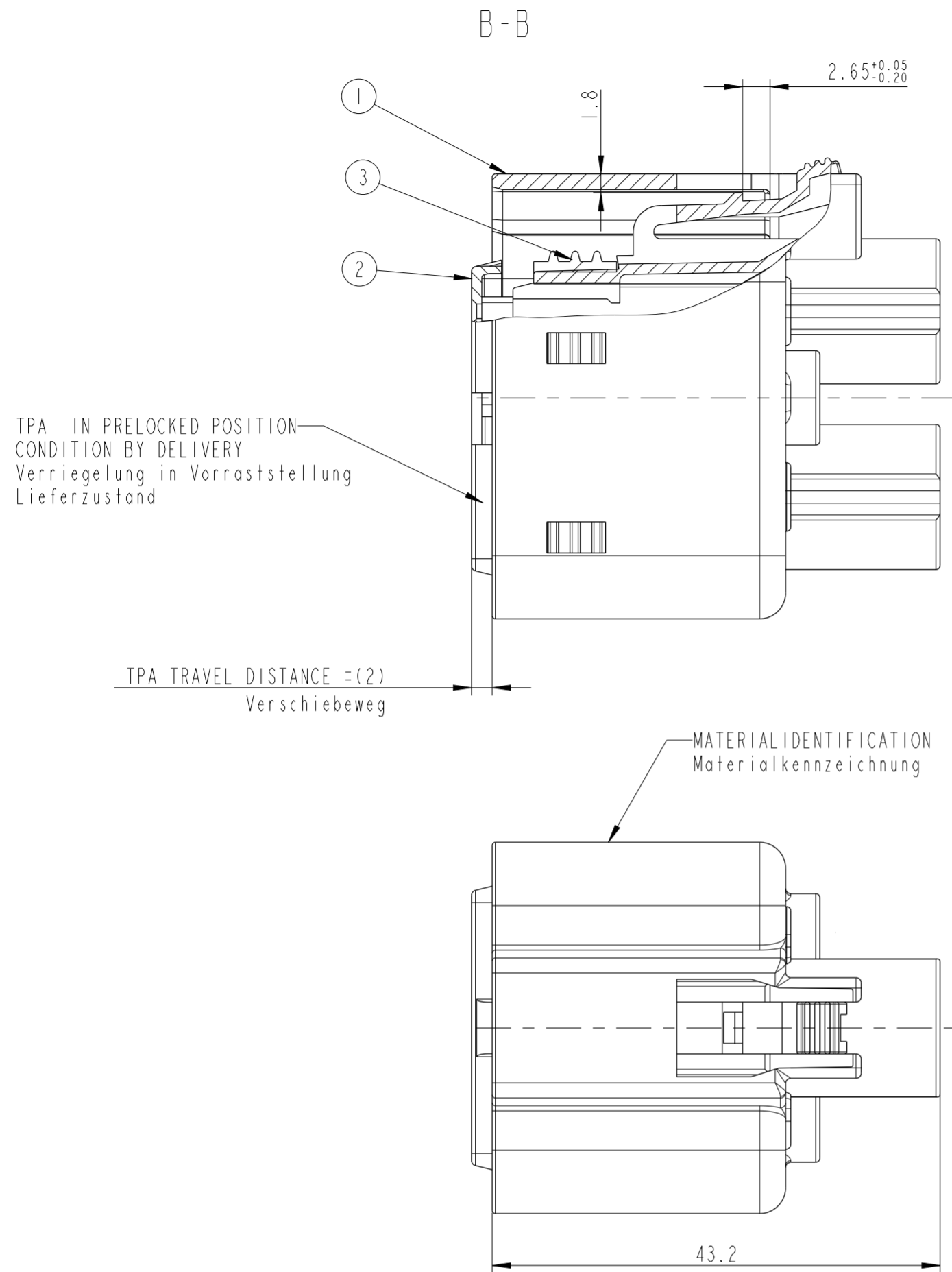


EUR 004 112 P29 PDS



VALIDATED ACCORDING: GMI 12590
GEPRUEFT NACH: GMI 12590

NEUTRAL VERSION

PART-NO. / TEILE-NR.	REV.	PART-NO. / TEILE-NR.	REV.	ITEM POS.	NAME / BENENNUNG	MATERIAL	COLOR / FARBE	MVL	DELPHI
6 043 10 11	A	10740372	01	3	SEAL / Dichtung	SILICON	RED / Rot		
				2	TPA / Kontaktsicherung	PBT	BLUE / Blau	9 339 00 00	33511770
				1	8POS. FEMALE CONNECTOR / 8 POL. Flachkontaktgehäuse	PBT-GF30	BLACK / Schwarz		

DESCRIPTION	PART-NO. / TEILE-NR.	WIRE SIZE / DRAHTGROESSEN-BEREICH (mm ²)	ISOLATION SIZE / ISOLATIONSBEREICH (Ø)	MVL	DELPHI	CAVITY-NO / KAMMER-NR.
DCSI 9.5MM FEMALE TERM.	6 007 02 71	10763018	>6.00 - 10.00	Ø 5.80 - Ø 6.60	6 099 33 03	10721071
				Ø 5.40 - Ø 6.60	6 099 33 04	10889241
				Ø 3.50 - Ø 5.50	6 099 33 01	15327788
	6 007 02 61	15327734	>4.00 - 6.00	Ø 3.40 - Ø 4.40	6 099 33 08	13546490
				Ø 3.50 - Ø 5.50	6 099 33 01	15327788
				Ø 3.50 - Ø 5.50	6 099 33 01	15327788
DCSI 6.3MM FEMALE TERM.	6 004 00 51	10748126	4.00	Ø 3.10 - Ø 5.50	6 099 26 06	12186636
	6 004 00 41	15340695	1.50 - 2.50	Ø 2.20 - Ø 3.20	6 099 26 04	15443869
DCSI 2.8MM FEMALE TERM.	6 004 00 31	12186637	0.50-0.75-1.00	Ø 1.40 - Ø 2.30	6 099 26 07	12186638
	6 004 05 41	33511768	>1.00 - 1.50	Ø 2.20 - Ø 2.70	6 099 34 05	33501746
	6 001 05 31	12198447	0.50 - 1.00	Ø 1.70 - Ø 2.10	6 099 34 03	15327786
	6 001 05 11	15395924	0.35	Ø 1.20 - Ø 1.60	6 099 34 01	33511769

13-00544	AC 5-11	REDRAWN IN DELPHI TITLE BLOCK, SEE REV. "B" FOR PREVIOUS CHANGES BOM TABLE MODIFIED AND DELPHI P/N	
ECN-NO. / ECH-NUMMER	POSITION / POSITION	CHANGE DESCRIPTION / AENDERUNGSBESCHREIBUNG	
PRODUCT SPEC. / PRODUKT-SPEZ.	PACKAGING SPEC. / VERPACKUNGS-SPEZ.	APPLICATION SPEC. / ANWENDUNGS-SPEZ.	COPYRIGHT / DELPHI CORPORATION AND/OR ITS AFFILIATES. ALL RIGHTS RESERVED. REVISED THIS DRAWING IS THE PROPERTY OF DELPHI CORPORATION AND CONTAINS DELPHI CONFIDENTIAL INFORMATION. THE REPRODUCTION, DISTRIBUTION AND UTILIZATION OF THIS DOCUMENT OR ITS RELATED CAD DATA, AS WELL AS COMMUNICATION OF ANY CONTENT TO OTHERS, WITHOUT EXPRESS AUTHORIZATION, IS PROHIBITED.
TOLERANCES / TOLERANZEN	DIN ISO 2768 TS	MATERIAL / MATERIAL	SEE TABLE / SIEHE TABELLE
COUNTERPART No. / GEGENSTUECK-Nr.	SEE NOTES	COLOUR / FARBE	-
DO NOT MEASURE DRAWING / ZEICHNUNG NICHT VERMESSEN	DATE / DATUM	NAME / NAME	ECO Loc. Code / STANDORT CODE GN
CREATED BY / ERSTELLT	1996-05-19	WEL	
MODIFIED BY / GEÄNDERT	20130514	Sebastin ANUP	
CHECKED BY / GEPRUEFT	20130517	M SCHINDHELM	
APPROVED BY / GEBILDIGT	20130517	Olaf HOERNLEIN	
FILE NAME / PDM-NAMEN	60431011C		

DRAWING NUMBER / ZEICHN.-NUMMER		REV. / REV.	INDEX
60431011C		D	
STATE STATUS / PART NUMBER / TEILENUMMER		SERIAL RELEASED	
60431011		A	

A B C D E F G H