

| ISS. | DATE | E.C.N. | DESCRIPTION |
|------|-----------|--------|-------------|
| 1 | 23-Apr-09 | | FIRST ISSUE |

carclo
technical plastics

CARCLO TECHNICAL PLASTICS (SLOUGH) LTD.
111 BUCKINGHAM AVE, SLOUGH
SL1 4PF, ENGLAND

TEL: +44 1753 575011 FAX: +44 1753 811359
email: design@coil.co.uk

GENERAL TOLERANCES (UNLESS STATED)

| | |
|---------------|---------------|
| LINEAR | ANGULAR |
| X +/- 0.25 | X +/- 1° |
| X.X +/- 0.1 | X.X +/- 0.5° |
| X.XX +/- 0.05 | X.XX +/- 0.1° |

CUSTOMER

TITLE
20mm DIAMETER OPTIC
4 LEG HOLDER

DRAWN MKI DATE 23-Apr-09

CHK'D DATE

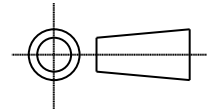
APP'D DATE

SCALE 2:1 COIL PART No. SEE TABLE

SIZE A3 COIL DRG. No. 60575 SHEET 1 OF 2

| ISS. | DATE | E.C.N. | DESCRIPTION |
|------|-----------|--------|-------------|
| 1 | 23-Apr-09 | | |

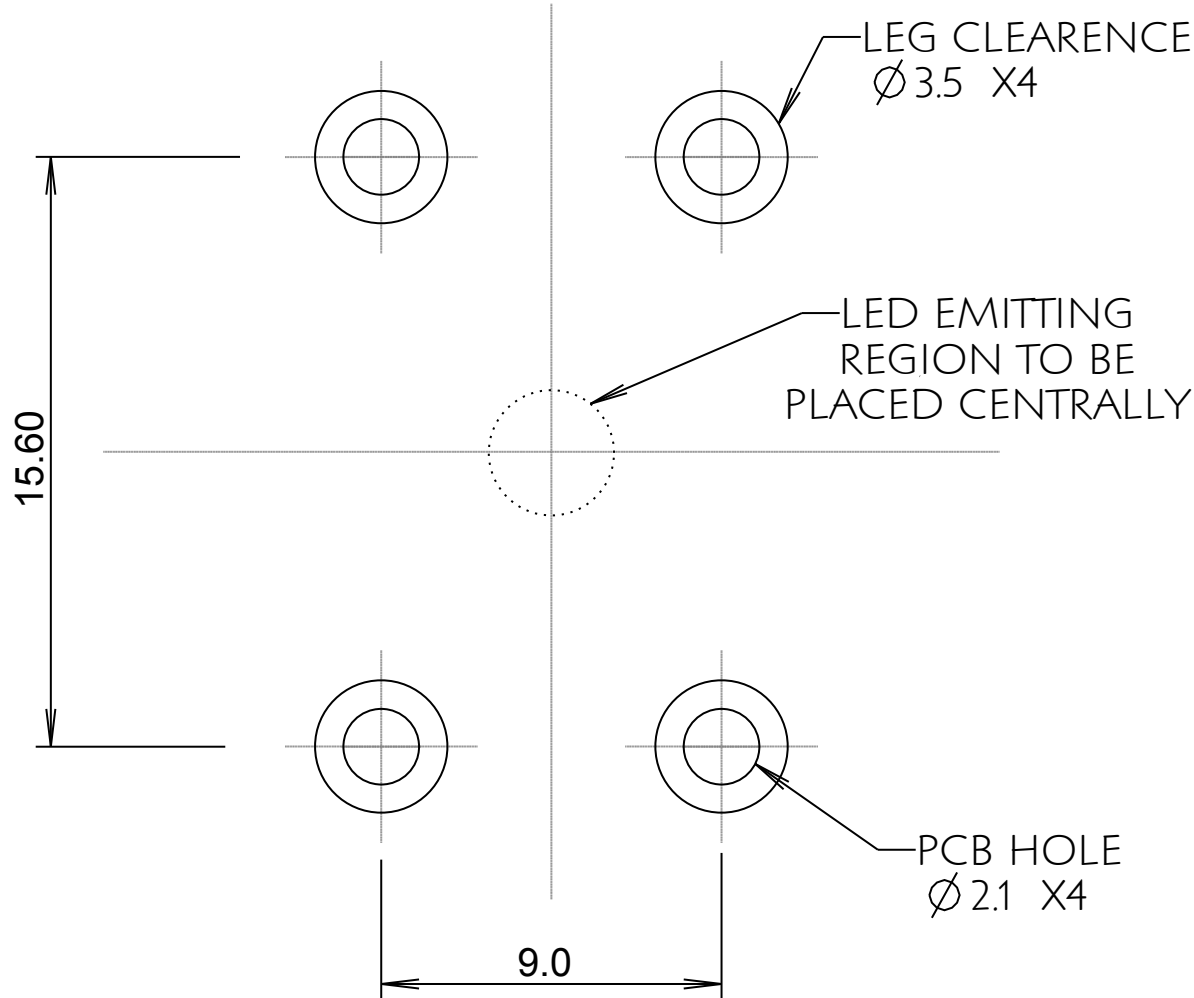
© 2008 CARCLO
ALL DIMENSIONS IN mm



CARCLO TECHNICAL PLASTICS (SLOUGH)
111 BUCKINGHAM AVE, SLOUGH
SL1 4PF, ENGLAND

TEL: +44 1753 575011 FAX: +44 1753 811359
e-mail: design@carclo-optics.com

PCB LAYOUT DIAGRAM



GENERAL TOLERANCES (UNLESS STATED)

| LINEAR | ANGULAR |
|---------------|---------------|
| X +/- 0.25 | X +/- 1° |
| X.X +/- 0.1 | X.X +/- 0.5° |
| X.XX +/- 0.05 | X.XX +/- 0.1° |

CUSTOMER

CARCLO

TITLE

20mm DIAMETER OPTIC
4 LEG HOLDER

DRAWN

MKI

DATE

23-Apr-09

CHK'D

DATE

APP'D

DATE

SCALE

5:1

CARCLO PART No.

SEE TABLE

SIZE

A4

CARCLO DRG. No.

60575

SHEET

2 OF 2