

©2008 CARCLO  
ALL DIMENSIONS IN mm

ISS.	DATE	E.C.N.	DESCRIPTION
1	23-Apr-09		FIRST ISSUE

  
 technical plastics  
**CARCLO TECHNICAL PLASTICS (SLOUGH) LTD.**  
 111 BUCKINGHAM AVE, SLOUGH  
 SL1 4PF, ENGLAND  
 TEL: +44 1753 575011 FAX: +44 1753 811359  
 email: design@coil.co.uk

NOT ALL PARTS ARE AVAILABLE FROM STOCK.  
SOME PARTS ARE SPECIAL ORDER ONLY. PLEASE  
CONTACT CARCLO FOR CURRENT AVAILABILITY

GENERAL TOLERANCES (UNLESS STATED)

LINEAR	ANGULAR
X +/- 0.25	X +/- 1°
X.X +/- 0.1	X.X +/- 0.5°
X.XX +/- 0.05	X.XX +/- 0.1°

PART NUMBERS						
DIM A	WHITE HOLDERS			BLACK HOLDERS		
	DIM. B 4.3 mm	DIM. B 2.0 mm	DIM. B 0.8 mm	DIM. B 4.3 mm	DIM. B 2.0 mm	DIM. B 0.8 mm
10.0	10630	10650	10670	10690	10710	10730
10.2	10631	10651	10671	10691	10711	10731
10.4	10632	10652	10672	10692	10712	10732
10.6	10633	10653	10673	10693	10713	10733
10.8	10634	10654	10674	10694	10714	10734
11.0	10635	10655	10675	10695	10715	10735
11.2	10636	10656	10676	10696	10716	10736
11.4	10637	10657	10677	10697	10717	10737
11.6	10638	10658	10678	10698	10718	10738
11.8	10639	10659	10679	10699	10719	10739
12.0	10640	10660	10680	10700	10720	10740
12.2	10641	10661	10681	10701	10721	10741
12.4	10642	10662	10682	10702	10722	10742
12.6	10643	10663	10683	10703	10723	10743
12.8	10644	10664	10684	10704	10724	10744
13.0	10645	10665	10685	10705	10725	10745
13.2	10646	10666	10686	10706	10726	10746
13.4	10647	10667	10687	10707	10727	10747
13.6	10648	10668	10688	10708	10728	10748
13.8	10649	10669	10689	10709	10729	10749

CUSTOMER

TITLE  
20mm DIAMETER OPTIC  
4 LEG HOLDER

DRAWN MKI DATE 23-Apr-09

CHK'D DATE

APP'D DATE

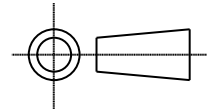
SCALE 2:1 COIL PART No. SEE TABLE

SIZE A3 COIL DRG. No. 60575 SHEET 1 OF 2

NOTES:-  
1. MATERIAL: POLYCARBONATE  
2. COLOUR: SEE TABLE

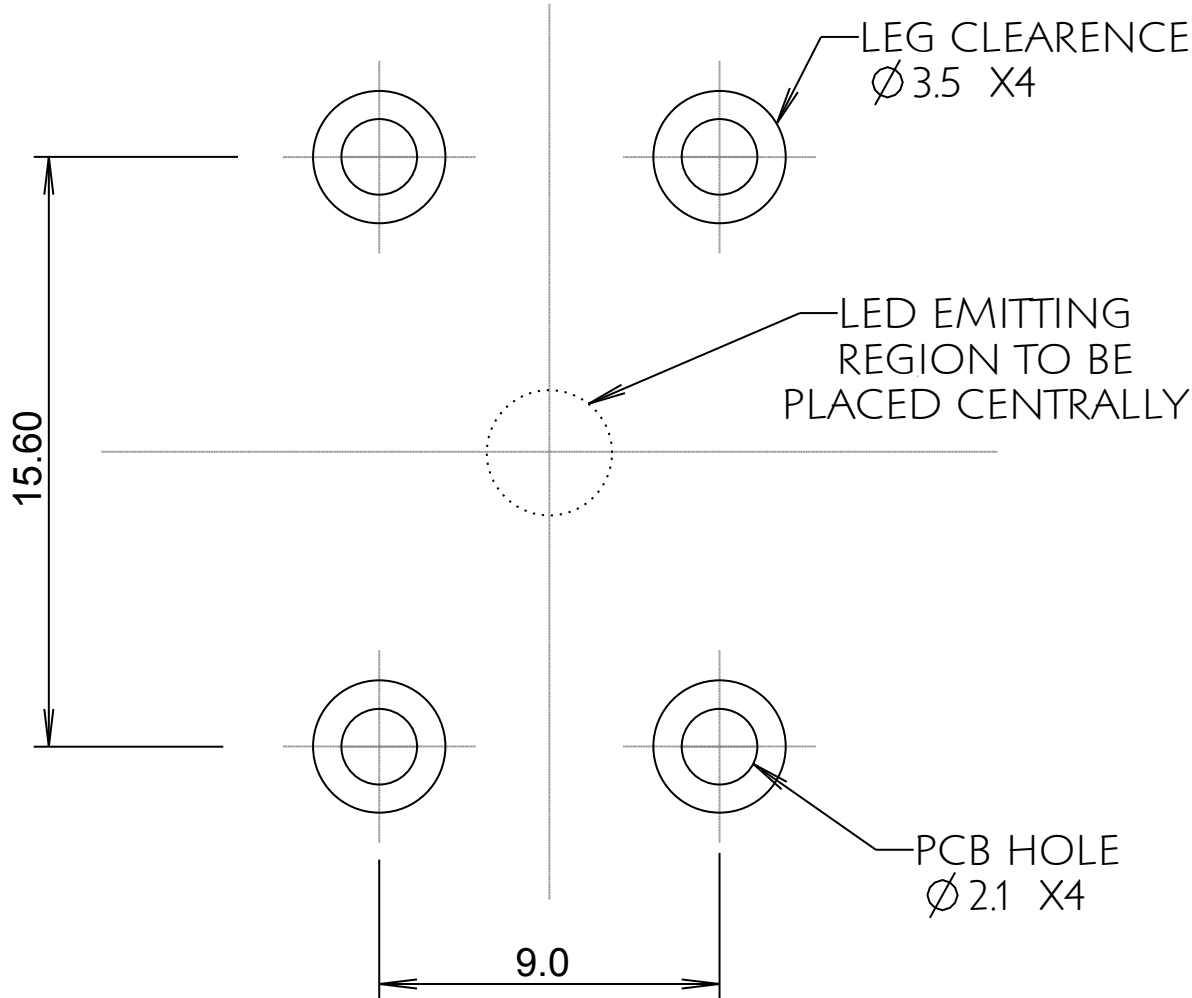
ISS.	DATE	E.C.N.	DESCRIPTION
1	23-Apr-09		

© 2008 CARCLO  
ALL DIMENSIONS IN mm



CARCLO TECHNICAL PLASTICS (SLOUGH)  
111 BUCKINGHAM AVE, SLOUGH  
SL1 4PF, ENGLAND  
TEL: +44 1753 575011 FAX: +44 1753 811359  
e-mail: design@carclo-optics.com

PCB LAYOUT DIAGRAM



GENERAL TOLERANCES (UNLESS STATED)

LINEAR	ANGULAR
X +/- 0.25	X +/- 1°
X.X +/- 0.1	X.X +/- 0.5°
X.XX +/- 0.05	X.XX +/- 0.1°

CUSTOMER

CARCLO

TITLE

20mm DIAMETER OPTIC  
4 LEG HOLDER

DRAWN

MKI

DATE

23-Apr-09

CHK'D

DATE

APP'D

DATE

SCALE

5:1

CARCLO PART No.

SEE TABLE

SIZE

A4

CARCLO DRG. No.

60575

SHEET

2 OF 2