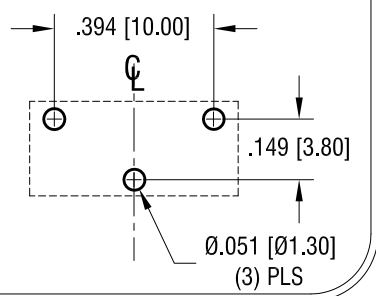
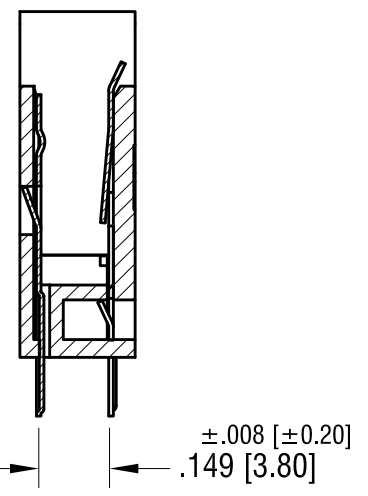
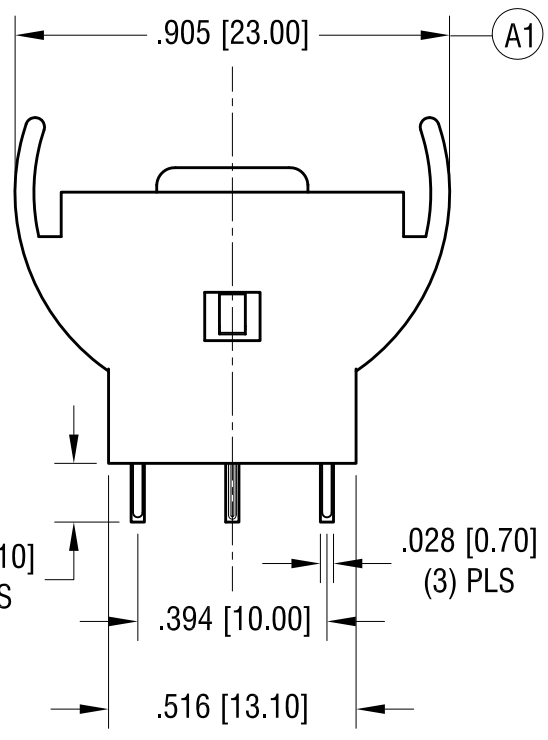
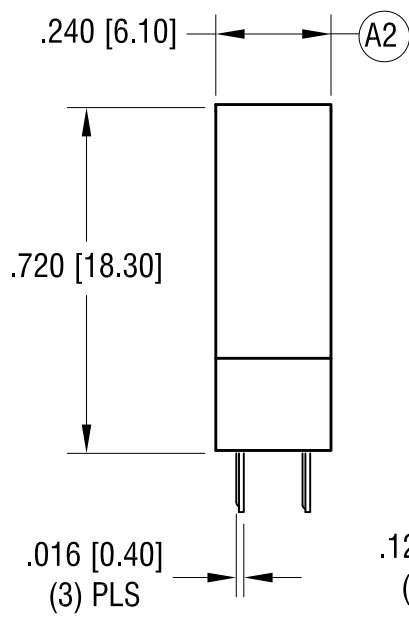
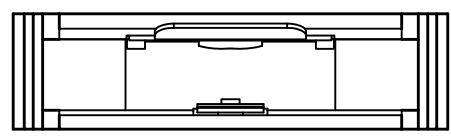
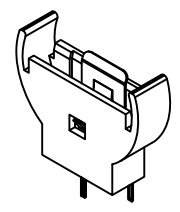


THIS DOCUMENT IS THE PROPERTY OF KEYSTONE ELECTRONICS CORP. AND SHALL NOT BE REPRODUCED, DISTRIBUTED OR USED AS A BASIS FOR MANUFACTURE WITHOUT PRIOR WRITTEN PERMISSION FROM KEYSTONE ELECTRONICS CORP.

MTG LAYOUT



ACTUAL SIZE



- NOTE:**
1. HOUSING: PA (BLACK COLOR)
 2. CONTACT: MAT'L- .010 [0.25] TH'K BRASS, C2680
FINISH-TIN PLATING

(A1) WAS .897, (A2) WAS .248
CHANGE AS PER ECN 18-022

DATE	DESCRIPTION	REV.
5.10.18		A

KEYSTONE ELECTRONICS CORP.			
www.keyelco.com • NEW HYDE PARK, NY 11040 • Tel (516) 328-7500			
PART NAME COIN CELL VERTICAL THM HOLDER, CR2032			
MATERIAL AS NOTED			
FINISH AS NOTED		DRN BY NT	DATE 5.10.18
		APP'D LN	SCALE 2.5X
TOLERANCES INCH [MM]	CODE	DWG NO.	
DECIMAL ±.010 [±.25]	C	1074	
ANGULAR ± 1° UNLESS OTHERWISE SPECIFIED			