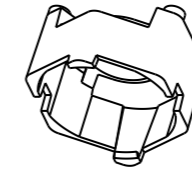
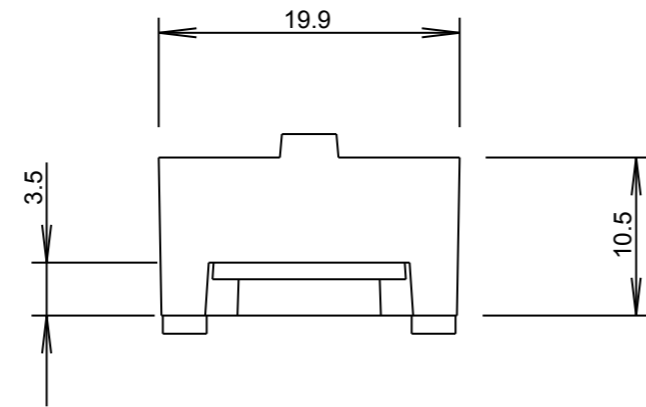
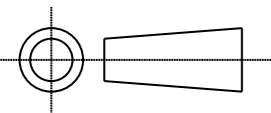


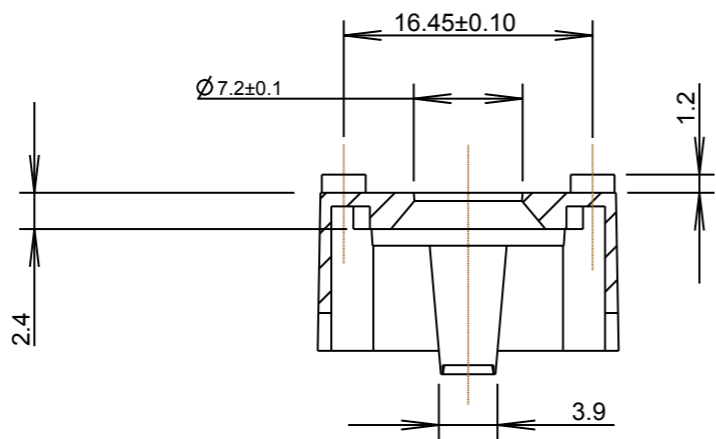
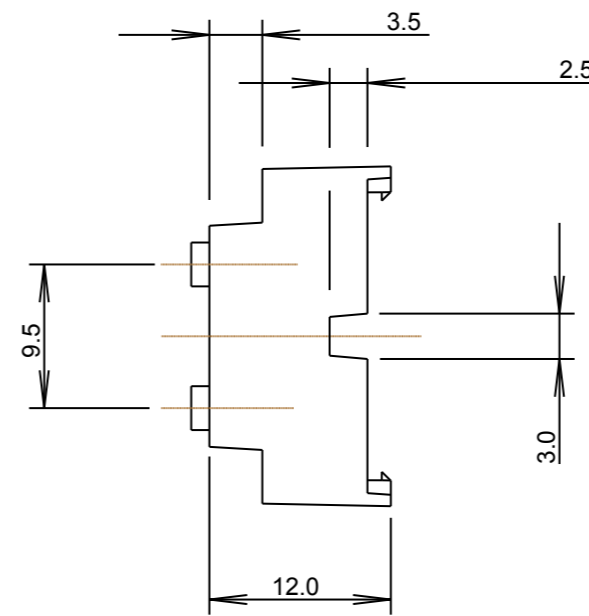
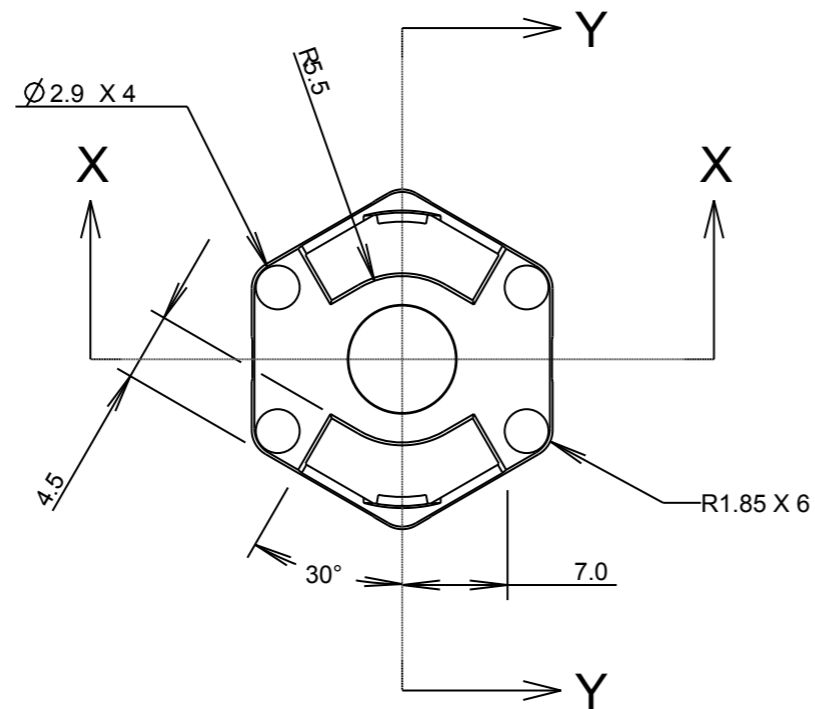
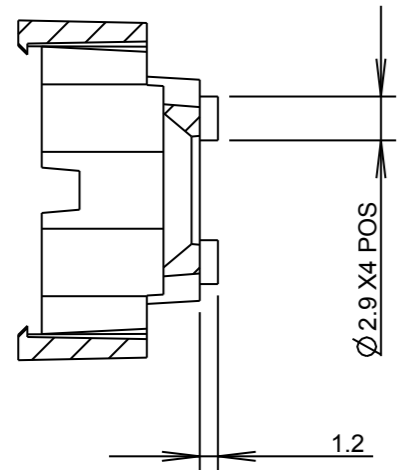
# CUSTOMER DRAWING

©2006 CARCLO  
ALL DIMENSIONS IN mm



3D VIEW  
SCALE 1:1

## SECTION Y-Y



## SECTION X-X

PART No.	MATERIAL
10750	BLACK POLYCARBONATE
10751	CLEAR POLYCARBONATE
10752	WHITE POLYCARBONATE

ISS.	DATE	E.C.N.	DESCRIPTION
1	27-Mar-09		FIRST ISSUE
2	24-Nov-09	04/11/1256	DUPLICATE PART NO'S (WERE 10690, 10691 AND 10692)



CARCLO TECHNICAL PLASTICS (SLOUGH) LTD.  
111 BUCKINGHAM AVE, SLOUGH  
SL1 4PF, ENGLAND  
TEL: +44 1753 575011 FAX: +44 1753 811359  
email: design@coil.co.uk

### GENERAL TOLERANCES (UNLESS STATED)

LINEAR	ANGULAR
X +/- 0.25	X +/- 1°
X.X +/- 0.1	X.X +/- 0.5°
X.XX +/- 0.05	X.XX +/- 0.1°

CUSTOMER

TITLE

HOLDER FOR 3.5mm SQUARE LED WITH  
0.8MM OFFSET FOCUS 20MM DIA LED OPTIC

DRAWN **MKI** DATE **27-Mar-09**

CHK'D DATE

APP'D DATE

SCALE **2:1** COIL PART No. **SEE TABLE**

SIZE **A3** COIL DRG. No. **60583** SHEET **1 OF 1**