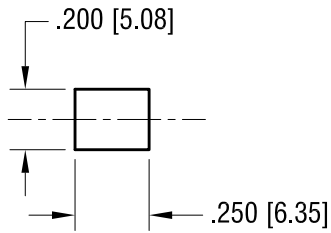
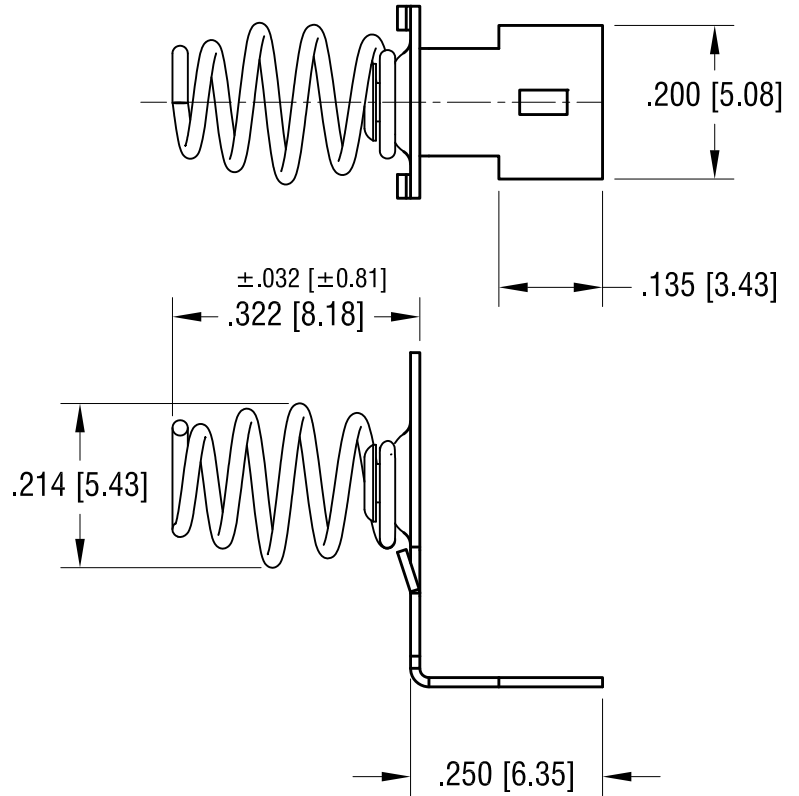
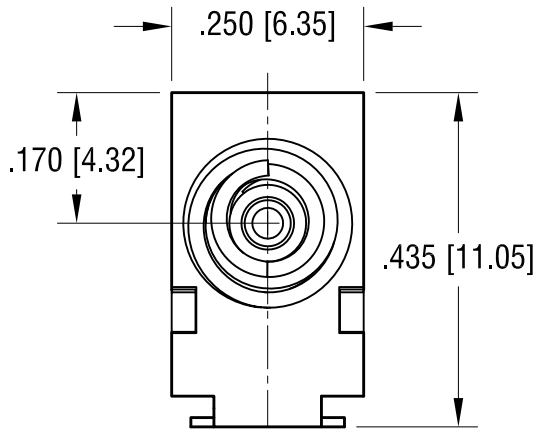


MOUNTING PAD LAYOUT



THIS DOCUMENT IS THE PROPERTY OF
KEYSTONE ELECTRONICS CORP. AND
SHALL NOT BE REPRODUCED, DISTRIBUTED
OR USED AS A BASIS FOR MANUFACTURE
WITHOUT PRIOR WRITTEN PERMISSION
FROM KEYSTONE ELECTRONICS CORP.

ACTUAL SIZE



NOTE:

1. BASE: MAT'L- .012 TH'K STAINLESS STEEL
2. SPRING: MAT'L- .020 DIA, MUSIC WIRE
3. SPRING EYELETED TO THE BASE

KEYSTONE ELECTRONICS CORP.

www.keyelco.com • ASTORIA, N.Y. 11105-2017 • Tel (718) 956-8900

PART NAME				SM BATTERY CONTACT	
MATERIAL				AS NOTED	
FINISH		DRN BY	DATE	SCALE	
GOLD PLATED		NT	8.02.16	4X	
TOLERANCES		INCH	[MM]	CODE	DWG NO.
DECIMAL		± .005	[± 0.13]	C	1076-2
ANGULAR		± 1°			
UNLESS OTHERWISE SPECIFIED					

DATE	DESCRIPTION	REV.
------	-------------	------