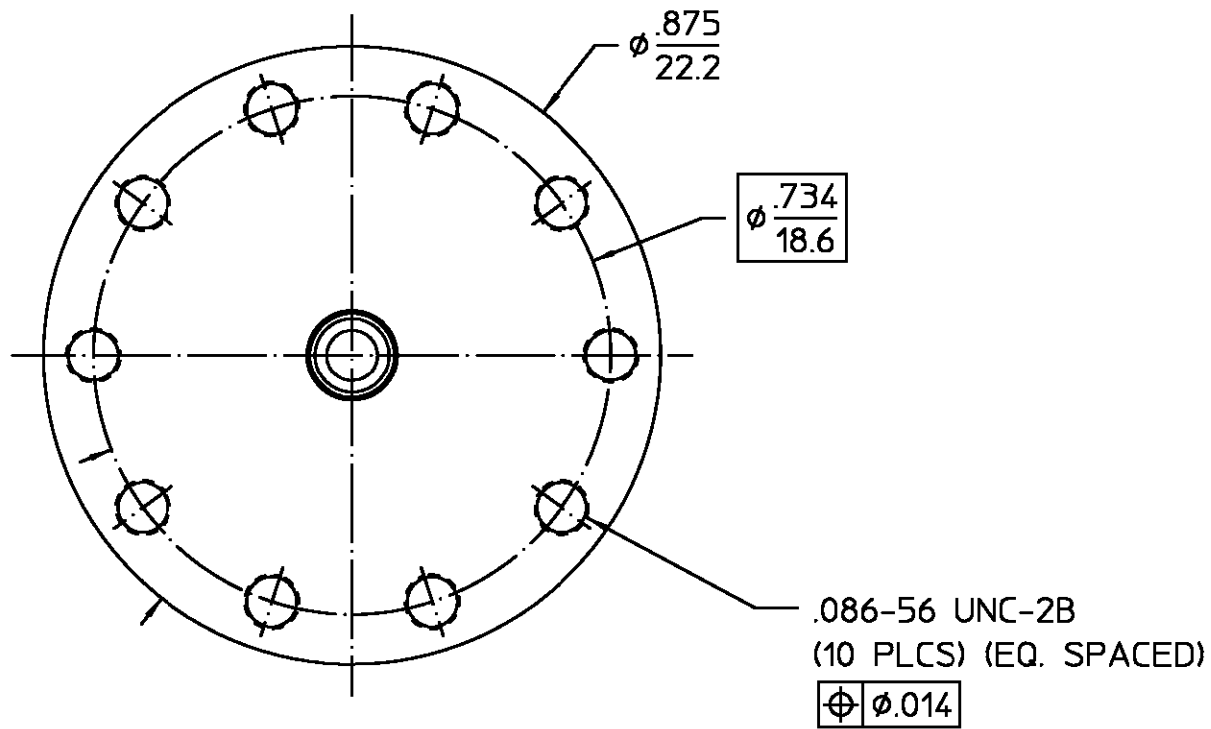


REVISIONS			
REV	DESCRIPTION	DATE	APPROVED
01 <sub>1</sub>	REVISED	9/8/87	<i>RAC</i>



ELECTRICAL	MECHANICAL	ENVIRONMENTAL
Nominal Impedance (Ohms) <u>50</u>	Interface Dimensions MIL-STD-348A, Fig. 311-2	Temperature Rating <u>-65°C To +165°C</u>
Frequency Range (GHz) DC to <u>5.0</u>	Recommended Mating Torque <u>N/A</u>	Vibration MIL-STD-202, Method 204, Condition D
Volt Rating (VRMS MAX) @ Sea Level <u>250</u>	Mating Characteristics:	Shock MIL-STD-202, Method 213, Condition I
VSWR <u>1.03 ±.048f(GHz)</u>	Insertion (MAX Lbs) <u>14.0</u>	Corrosion - MIL-STD-202, Method 101, Condition B, 5% salt spray
Insertion Loss (dB MAX) <u>.30 @ 1.5 GHz</u>	Withdrawal (MIN Oz) <u>2.0</u>	
RF Leakage (dB MIN) <u>-55 @ 2 to 3 GHz</u>	Force to Engage and Disengage (In-Lbs MAX) <u>14.0</u>	
Corona, 70,000 Ft (VRMS MIN) <u>250</u>	Center Contact Captivation	
Dielectric Withstanding Voltage (VRMS MIN) @ Sea Level <u>750</u>	Axial (Lbs) <u>N/A</u>	
Contact Resistance (Milliohms MAX)	Radial (In-Oz) <u>N/A</u>	
Center Contact <u>6.0</u>	Cable Retention	
Outer Contact <u>1.0</u>	Axial Force (Lbs) <u>N/A</u>	
Cable to Housing <u>N/A</u>	Torque (In-Oz) <u>N/A</u>	
RF High Potential @ Sea Level (VRMS MIN @ 5 MHz) <u>700</u>	Weight (Grams) <u>TBD</u>	
LR.(Megohms MIN) <u>1,000</u>		

COMPONENT	MATERIAL	FINISH
HOUSING	BRASS PER ASTM-B-16, HALF HARD	GOLD PLATE PER MIL-G-45204
DIELECTRIC	PTFE FLUOROCARBON PER ASTM-D-1457	N/A
CENTER CONTACT	BERYLLIUM COPPER PER ASTM-B-196 OR ASTM-B-197, ALLOY C17300, CONDITION H	GOLD PLATE PER MIL-G-45204

UNLESS OTHERWISE SPECIFIED DIMENSIONS ARE IN INCHES	DRAWN BY LR	DATE 4/21/87	<b>AMP</b> AMP Incorporated 140 Fourth Avenue Waltham, MA 02451-7599
FRAC. DEC. ANGLES	CHECKED BY MH/M	5/7/87	
± 1/64 ±.005 ± 1°	APPD BY LB	5/8/87	

These drawings and specifications are the property of M/A COM Interconnect Div. and shall not be reproduced or copied or used in whole or in part as the basis for the manufacture or sale of item(s) without written permission.	USE ASS'Y PROCEDURE	TITLE "SMB" STRAIGHT SURFACE LAUCHED JACK - 10 HOLE FLG TURRET TERMINAL								
	NO. AP. <u>N/A</u>	<table border="1"> <tr> <td>SIZE B</td> <td>CODE IDENT NO. 26805</td> <td>5166-5004-09</td> <td>REV 01<sub>1</sub></td> </tr> <tr> <td>SCALE 4:1</td> <td colspan="2"></td> <td>SHEET 1 OF 1</td> </tr> </table>	SIZE B	CODE IDENT NO. 26805	5166-5004-09	REV 01 <sub>1</sub>	SCALE 4:1			SHEET 1 OF 1
SIZE B	CODE IDENT NO. 26805	5166-5004-09	REV 01 <sub>1</sub>							
SCALE 4:1			SHEET 1 OF 1							

.XXX = in  
XX.X = mm (REF)