



Quality Products. Service Excellence.

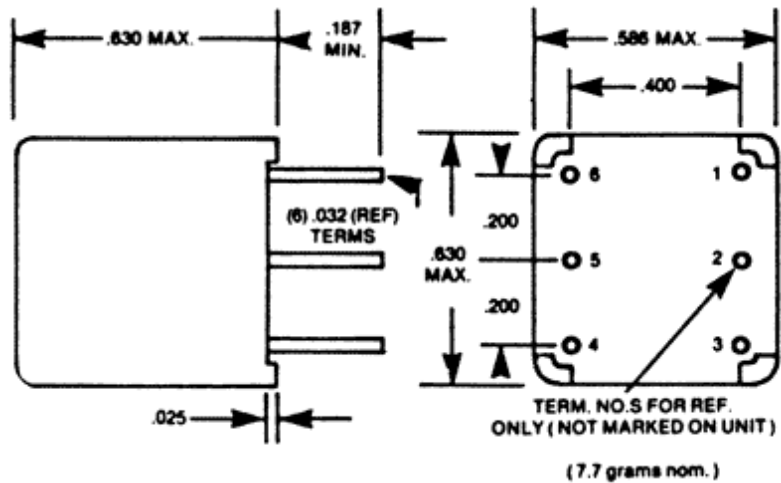
150mw Audio Miniature Epoxy Potted 107 Series

PC Board Mount

Features



- Perfect for audio input, line matching, isolation or output transformer applications.
- 150 milliwatt (+/- 1.5 db, 300 Hz. - 50 KHz.)
- Epoxy potted in an attractive black molded case, Pin type P.C. board mount (min. 0.187" length).
- In some models where no center tap is required (on secondary), pin No. 5 is omitted.
- Power level ratings are maximum at lowest frequency rating (see charts & PDF spec. sheets below)
- Power can be increased slightly at higher frequencies (except 107X). See individual PDF specs. for specifics.
- Will withstand soldering for 10 sec. @ 260 degrees C, ambient temp. 85 degrees C max.



| Part No. | Nominal Impedance (Ohms) | | D.C. Resistance (Ohms) +/- 20% | | Max. D.C. Unbalance (ma.) |
|----------|--------------------------|----------------------|--------------------------------|----------------------|---------------------------|
| | Primary (Pins 1-3) | Secondary (Pins 4-6) | Primary (Pins 1-3) | Secondary (Pins 4-6) | |
| 107B | 150 ct | 12 | 20 | 2 | 12 |
| 107D | 150 ct | 150 ct | 20 | 25 | 12 |
| 107E | 600 ct | 3.2 | 59 | 0.6 | 6 |
| 107G | 600 ct | 250 ct | 59 | 10 | 6 |
| 107H | 600 ct | 600 ct | 59 | 75 | 6 |
| 107J | 1K ct | 600 ct | 92 | 71 | 4.5 |
| 107L | 10K ct | 3.2 | 780 | 0.65 | 1.5 |
| 107N | 10K ct | 600 ct | 680 | 70 | 1.5 |
| 107P | 10K ct | 1.5K ct | 680 | 150 | 1.5 |
| 107R | 10K ct | 4K ct | 680 | 390 | 1.5 |
| 107T | 10K ct | 10K ct | 680 | 700 | 1.5 |
| 107V | 25K ct | 600 ct | 1300 | 70 | 1 |
| 107X | 100K ct | 1K ct | 3700 | 80 | 0 |

