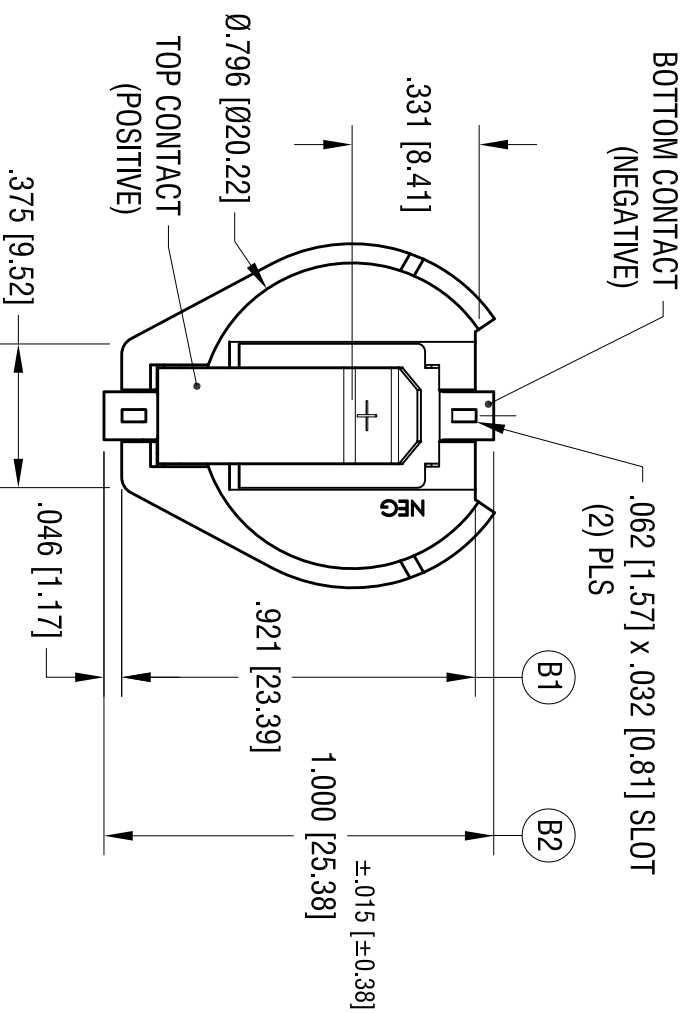
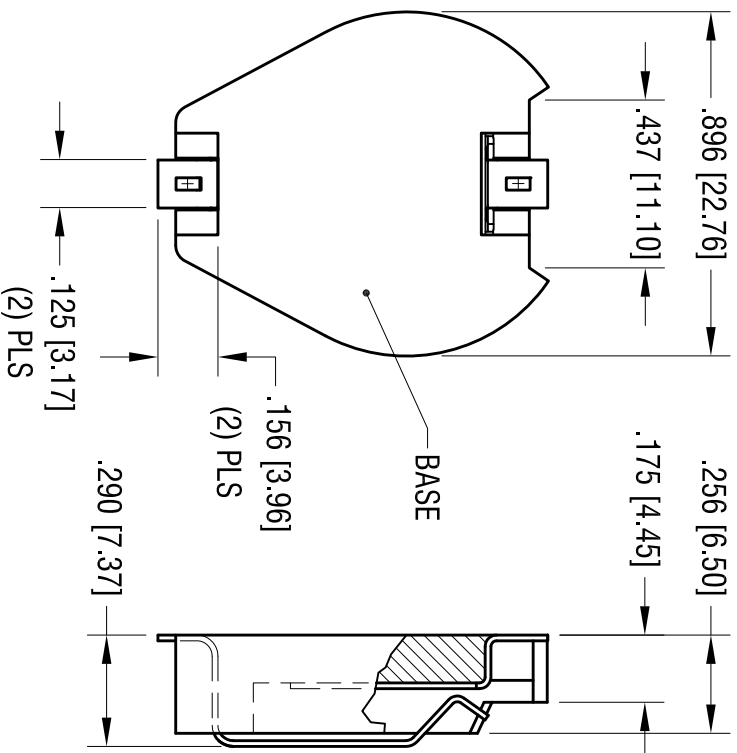
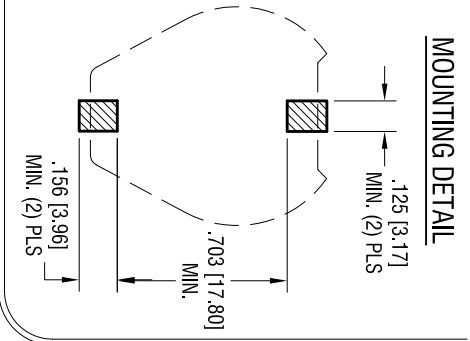


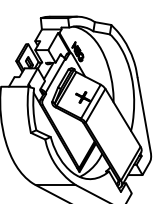
MOUNTING DETAIL



DATE	DESCRIPTION	REV.
8.12.11	CHANGE AS PER ECN 11-104	A
1.10.22	ECN ECN 22-003, (B1) WAS .931 (B2) WAS 1.015	B

NOTES:

1. BASE:
MAT'L - HIGH TEMPERATURE NYLON (UL 94V-0)
COLOR BLACK
2. CONTACTS (TOP AND BOTTOM):
MAT'L - .015 [0.38] THK SPRING STEEL
FINISH: GOLD FLASH PLATE



ACTUAL SIZE

THIS DOCUMENT IS THE PROPERTY OF KEYSTONE ELECTRONICS CORP. AND SHALL NOT BE REPRODUCED, DISTRIBUTED OR USED AS A BASIS FOR MANUFACTURE WITHOUT PRIOR WRITTEN PERMISSION FROM KEYSTONE ELECTRONICS CORP.

KEYSTONE ELECTRONICS CORP.

www.keystec.com • NEW HYDE PARK, NY 11040 • Tel (516) 328-7500

PART NAME

20mm BATTERY HOLDER, SMT

MATERIAL

AS NOTED

FINISH

AS NOTED

TOLERANCES	INCH	[MM]	CODE
DECIMAL	± .010	[± 0.25]	C
ANGULAR	± 1°		

UNLESS OTHERWISE SPECIFIED

DRN BY	DATE	APP'D	SCALE	DWG NO.
NT	3.19.09	RH	2X	1081