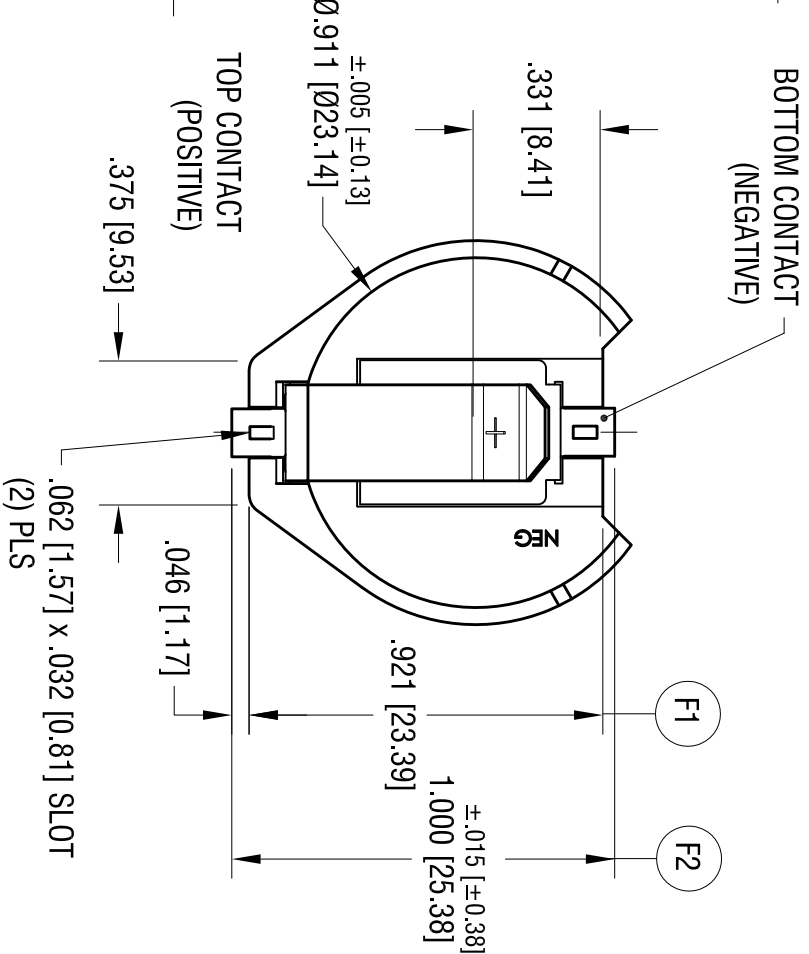
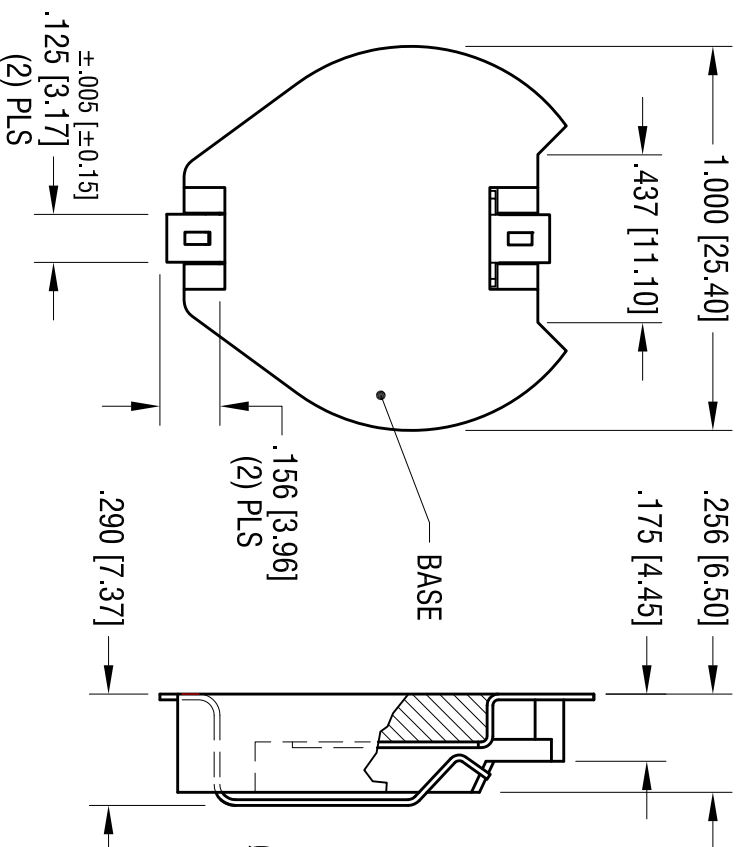
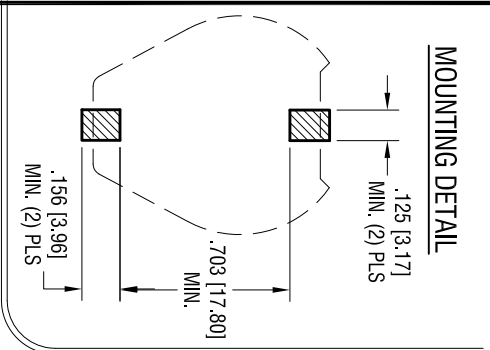


**MOUNTING DETAIL**



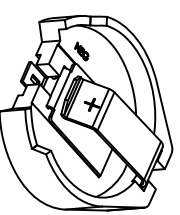
- NOTES:**
1. BASE:  
MAT'L - HIGH TEMPERATURE NYLON (UL 94V-0)
  2. CONTACTS (TOP AND BOTTOM):  
MAT'L - .015 [0.38] THK SPRING STEEL  
FINISH: GOLD FLASH PLATE

COLOR BLACK

2. CONTACTS (TOP AND BOTTOM):

MAT'L - .015 [0.38] THK SPRING STEEL

FINISH: GOLD FLASH PLATE



**ACTUAL SIZE**

DATE	DESCRIPTION	REV.
8.12.11	CHANGE AS PER ECN 11-104	A
1.10.22	CHANGE AS PER ECN 22-003 B1 WAS .931, B2 WAS 1.015	B

THIS DOCUMENT IS THE PROPERTY OF KEYSTONE ELECTRONICS CORP. AND SHALL NOT BE REPRODUCED, DISTRIBUTED OR USED AS A BASIS FOR MANUFACTURE WITHOUT PRIOR WRITTEN PERMISSION FROM KEYSTONE ELECTRONICS CORP.

<b>KEYSTONE ELECTRONICS CORP.</b>			
www.keystelco.com • NEW HYDE PARK, NY 11040 • Tel (516) 328-7500			
PART NAME 23mm BATTERY HOLDER, SMT			
MATERIAL AS NOTED			
FINISH AS NOTED			
TOLERANCES	INCH	[MM]	CODE
DECIMAL	± .010	[± 0.25]	C
ANGULAR	± 1°		
DRAWN BY NT		DATE 3.19.01	DWG NO. <b>1091</b>
APP'D RH		SCALE 2X	