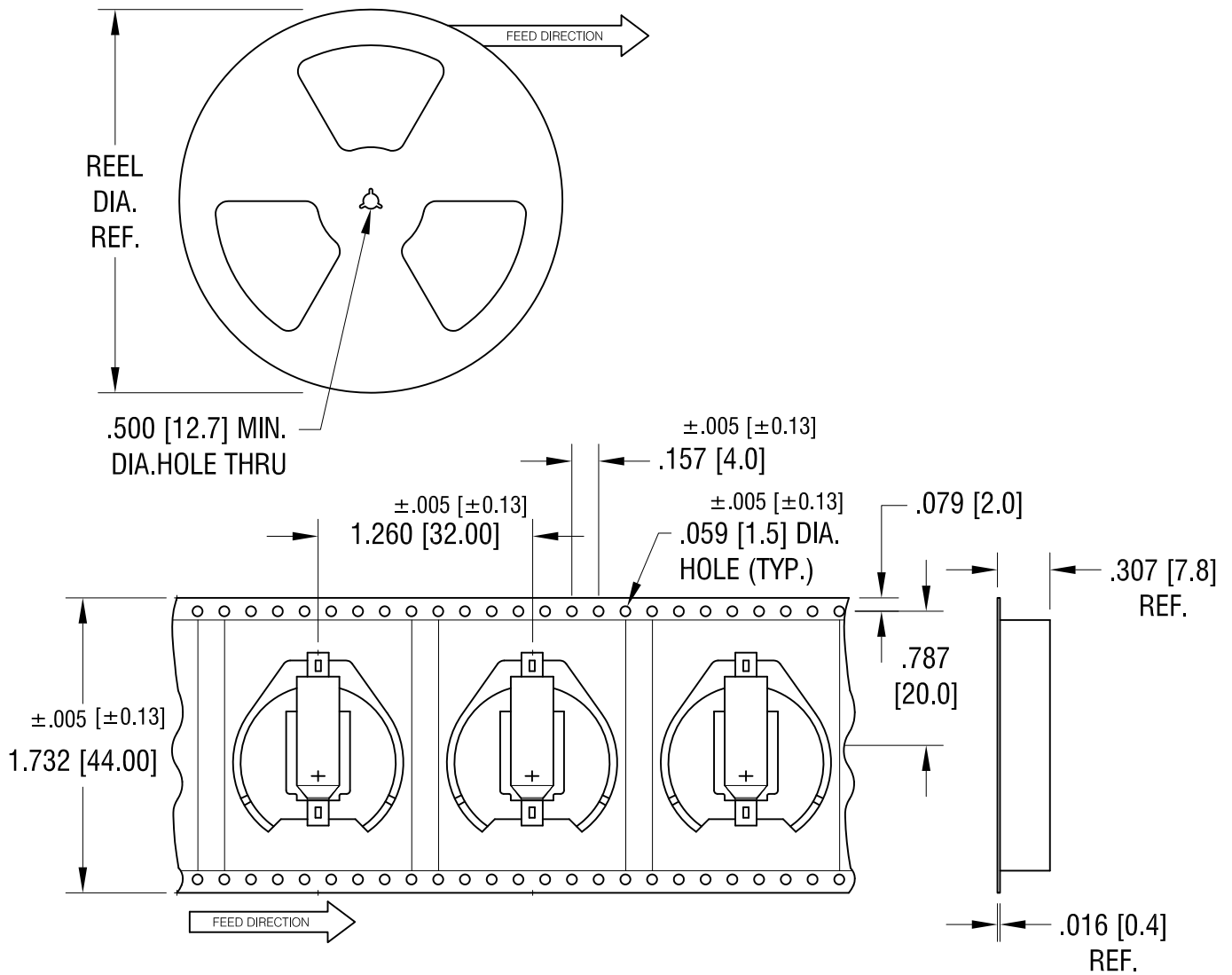


THIS DOCUMENT IS THE PROPERTY OF  
KEYSTONE ELECTRONICS CORP. AND  
SHALL NOT BE REPRODUCED, DISTRIBUTED  
OR USED AS A BASIS FOR MANUFACTURE  
WITHOUT PRIOR WRITTEN PERMISSION  
FROM KEYSTONE ELECTRONICS CORP.



**NOTES:**

**TAPE AND REEL SPECIFICATIONS:**

**1. TAPE:**

MAT'L - ALL CONDUCTIVE POLYSTYRENE CARRIER  
ANSI/EIA-481 STANDARD  
1.732 [44.0] WIDE; 1.260 [32.0] PITCH

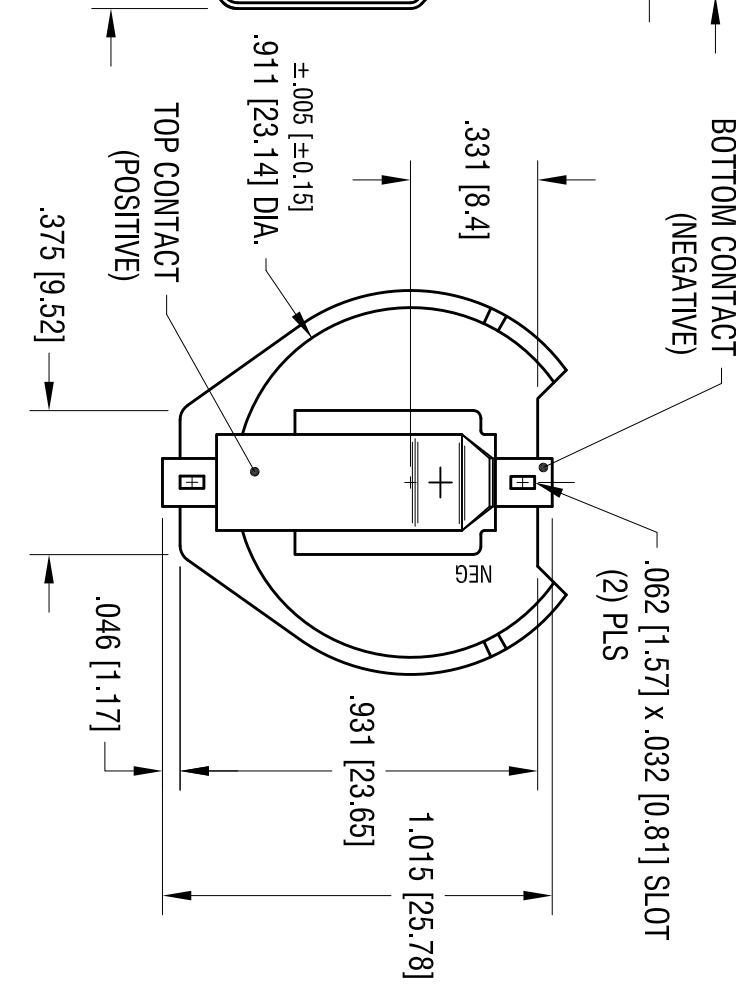
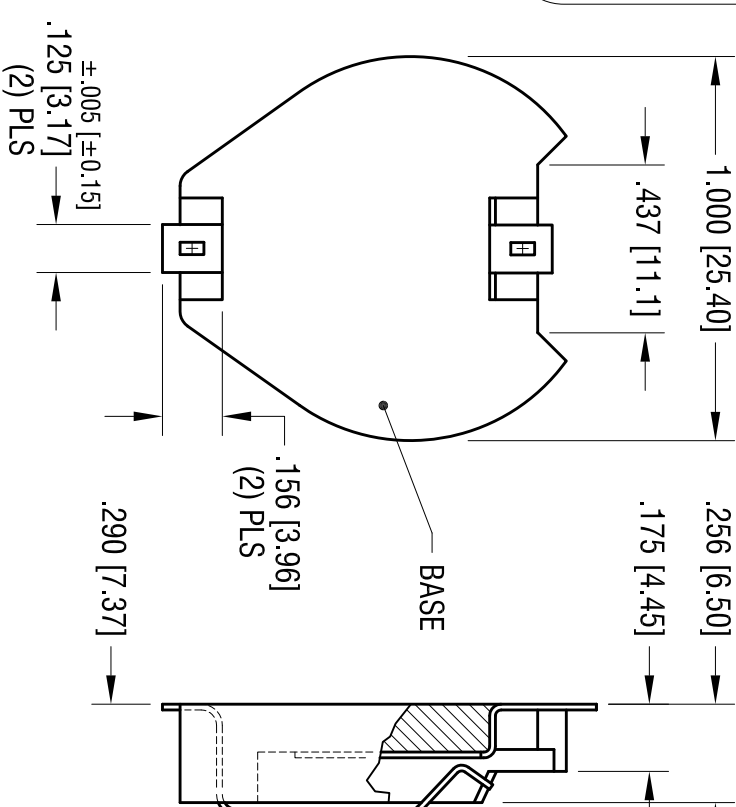
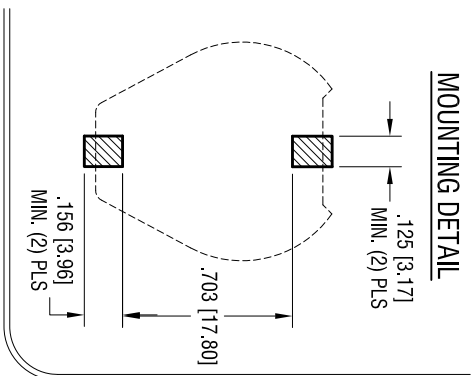
**2. REEL:**

13.0 [330.2] DIA. 200 PIECES OF  
PART NO. 1091 PER REEL.

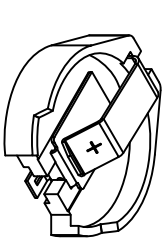
<b>KEYSTONE ELECTRONICS CORP.</b>			
www.keyelco.com • ASTORIA, N.Y. 11105-2017 • Tel (718) 956-8900			
PART NAME			
23mm SM COIN CELL HOLDER ON TAPE			
MATERIAL			
AS NOTED			
FINISH		DRN BY	DATE
AS NOTED		NT	3.19.09
		APP'D	SCALE
		LN	X
TOLERANCES	INCH [MM]	CODE	DWG NO.
DECIMAL	± .015 [± 0.38]	C	1091TR
ANGULAR	± 1°		
UNLESS OTHERWISE SPECIFIED			

DATE	DESCRIPTION	REV.

**MOUNTING DETAIL**



- NOTES:**
1. BASE:  
MAT'L - HIGH TEMPERATURE NYLON (UL 94V-0)
  2. CONTACTS (TOP AND BOTTOM):  
COLOR BLACK  
MAT'L - .015 [0.38] THK SPRING STEEL  
FINISH: GOLD FLASH PLATE



**ACTUAL SIZE**

DATE	DESCRIPTION	REV.
8.12.11	CHANGE AS PER ECN 11-104	A

<b>KEYSTONE ELECTRONICS CORP.</b>			
www.keystec.com • ASTORIA, N.Y. 11105-2017 • Tel (718) 956-8900			
<b>PART NAME</b>			
DUAL 23mm BATTERY HOLDER, SMT			
<b>MATERIAL</b>			
AS NOTED			
<b>FINISH</b>			
AS NOTED			
<b>TOLERANCES</b>		<b>CODE</b>	
INCH	[MM]		
DECIMAL	± .010 [± 0.25]	C	DWG NO.
ANGULAR	± 1°		
UNLESS OTHERWISE SPECIFIED			
<b>DRN BY</b>		<b>DATE</b>	
NT		3.19.09	
<b>APP'D</b>		<b>SCALE</b>	
LN		2X	
<b>1091</b>			

THIS DOCUMENT IS THE PROPERTY OF KEYSTONE ELECTRONICS CORP. AND SHALL NOT BE REPRODUCED, DISTRIBUTED OR USED AS A BASIS FOR MANUFACTURE WITHOUT PRIOR WRITTEN PERMISSION FROM KEYSTONE ELECTRONICS CORP.