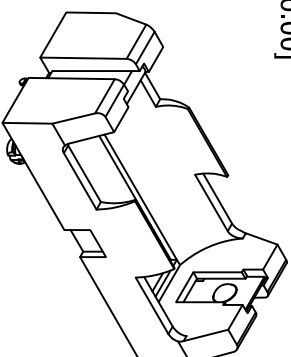
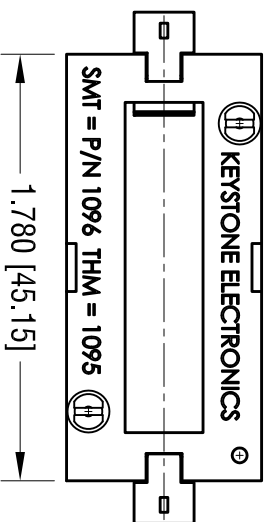
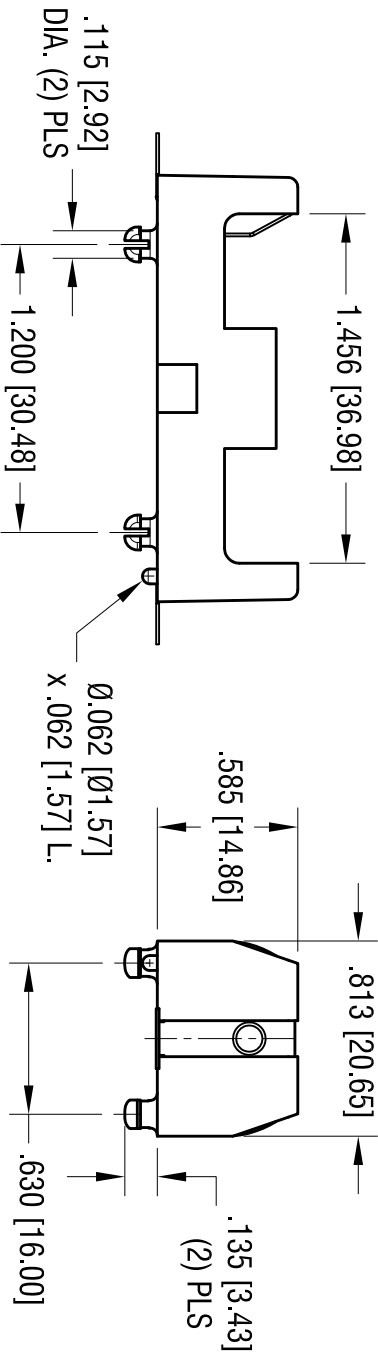
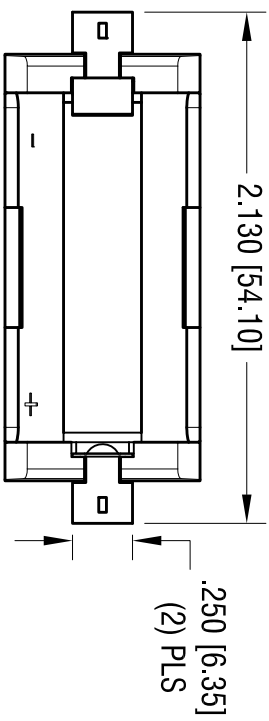
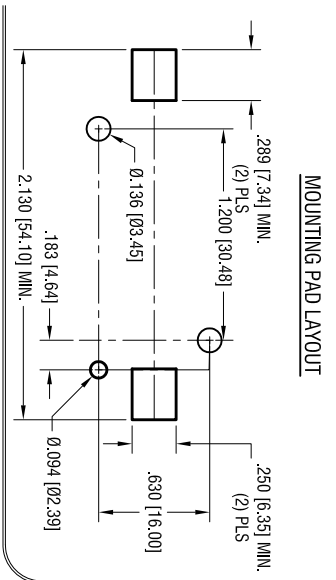


MOUNTING PAD LAYOUT



ACTUAL SIZE

- NOTE:**
1. BASE: MAT'L: HEAT RESISTANCE NYLON STANL 46 OR EQUIVALENT
 2. CONTACT: MAT'L: .012 [0.30] THK STAINLESS STEEL FINISH: GOLD FLASH, OVER NICKEL PLATE

KEYSTONE ELECTRONICS CORP.

www.keyelco.com • ASTORIA, N.Y. 11105-2017 • Tel (718) 956-8900

PART NAME

PC POLARIZED HOLDER, 18350

MATERIAL

AS NOTED

FINISH

AS NOTED

TOLERANCES	INCH	[MM]	CODE	DWG NO.
DECIMAL	± .010	[± 0.25]	C	1096P
ANGULAR	± 1°			

DATE

9.14.14

DESCRIPTION

CHANGE AS PER ECN 14-102

REV.

A