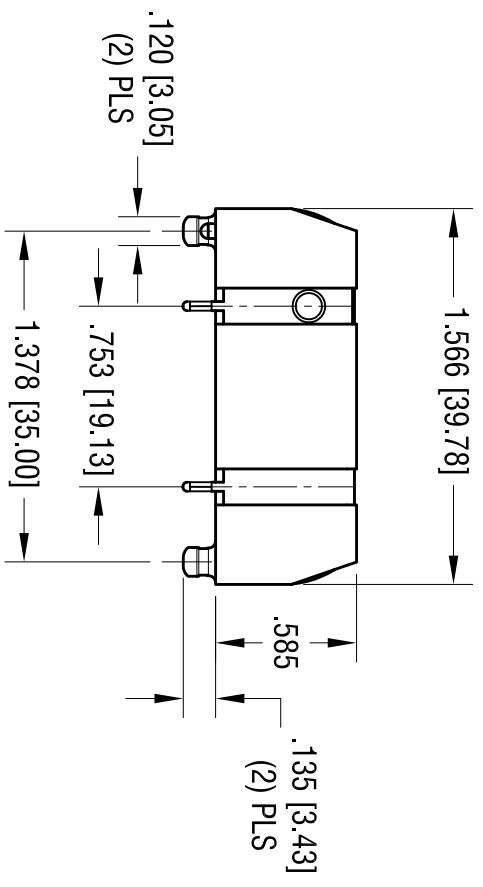
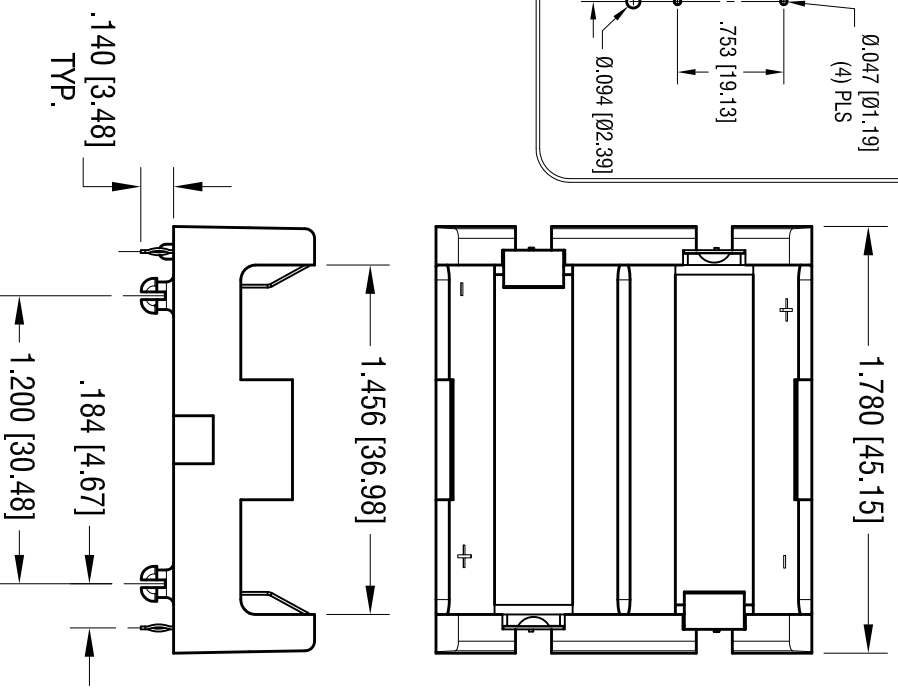
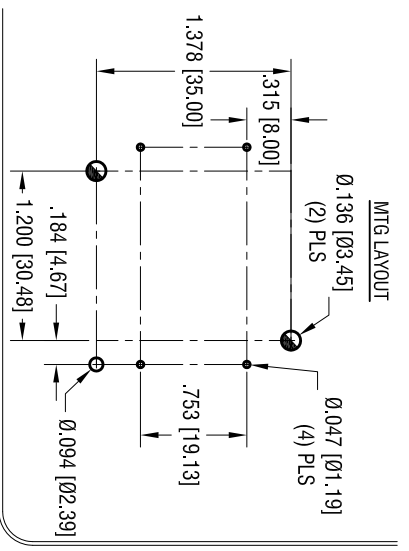
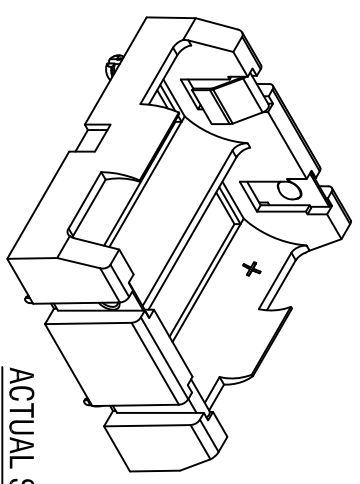


| DATE | DESCRIPTION | REV. |
|--------|--------------------------|------|
| 9.14.4 | CHANGE AS PER ECN 14-103 | A |



NOTE:
 1. BASE:
 MAT'L: HEAT RESISTANCE NYLON
 STANLYL 46 OR EQUIVALENT
 2. CONTACT:
 MAT'L: .012 THK STAINLESS STEEL
 FINISH: TIN NICKEL PLATE.



THIS DOCUMENT IS THE PROPERTY OF
 KEYSTONE ELECTRONICS CORP. AND
 SHALL NOT BE REPRODUCED, DISTRIBUTED
 OR USED AS A BASIS FOR MANUFACTURE
 WITHOUT PRIOR WRITTEN PERMISSION
 FROM KEYSTONE ELECTRONICS CORP.

| | | | |
|---|---------|---------|--------------|
| KEYSTONE ELECTRONICS CORP. | | | |
| www.keystec.com • ASTORIA, N.Y. 11105-2017 • Tel (718) 956-8900 | | | |
| PART NAME | | | |
| DUAL THM POLARIZED HOLDER | | | |
| MATERIAL | | | |
| AS NOTED | | | |
| FINISH | | | |
| AS NOTED | | | |
| TOLERANCES | INCH | [MM] | |
| DECIMAL | ± .005 | [± |] |
| ANGULAR | ± 1° | | |
| | | CODE | |
| | | C | |
| | DRN BY | DATE | |
| | NT | 7.28.14 | |
| | APP'D | SCALE | |
| | LN | 1.25X | |
| | DWG NO. | | |
| | | | 1097P |