

# 40x40x10 mm

San Ace 40 9P type   



## General Specifications

- Material ..... Frame: Plastic (Flammability: UL 94V-0), Impeller: Plastic (Flammability: UL 94V-1)
- Expected life ..... See the table below. (L10 life: 90% survival rate for continuous operation in free air at 60°C, rated voltage)
- Motor protection function ..... Locked rotor burnout protection, Reverse polarity protection  
For details, please refer to p. 547.
- Dielectric strength ..... 50/60 Hz, 500 VAC, for 1 minute (between lead wire conductors and frame)
- Insulation resistance ..... 10 MΩ or more with a 500 VDC megger (between lead wire conductors and frame)
- Sound pressure level (SPL) ..... At 1 m away from the air inlet
- Storage temperature ..... -30 to +70°C (Non-condensing)
- Lead wire ..... ⊕Red ⊖Black or Blue (Sensor) Yellow
- Mass ..... 19 g

## Specifications

The models listed below **have ribs and pulse sensors.**

| Model no.           | Rated voltage [V] | Operating voltage range [V] | Rated current [A] | Rated input [W] | Rated speed [min <sup>-1</sup> ] | Max. airflow [m <sup>3</sup> /min] [CFM] | Max. static pressure [Pa] [inchH <sub>2</sub> O] | SPL [dB (A)] | Operating temperature [°C] | Expected life [h] |
|---------------------|-------------------|-----------------------------|-------------------|-----------------|----------------------------------|--|--|--------------|----------------------------|-------------------|
| <b>109P0405H901</b> | 5                 | 4.5 to 5.5                  | 0.16              | 0.8             | 6200                             | 0.15 5.3                                 | 41.2 0.165                                       | 25           | -10 to +60                 | 40000/60°C        |
| <b>109P0405M901</b> |                   |                             | 0.11              | 0.55            | 5000                             | 0.12 4.2                                 | 27 0.108   | 21           |                            |                   |
| <b>109P0412H901</b> | 12                | 7 to 13.8                   | 0.07              | 0.84            | 6200                             | 0.15 5.3                                 | 41.2 0.165                                       | 25           |                            |                   |
| <b>109P0412M901</b> |                   |                             | 0.06              | 0.72            | 5000                             | 0.12 4.2                                 | 27 0.108   | 21           |                            |                   |

The following sensor and control options are available for selection.

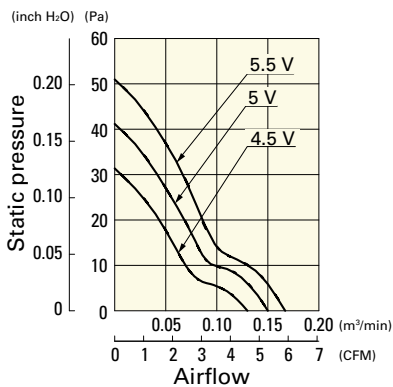
Available for all models. **Without sensor** **Lock sensor**

Differs according to the model. Refer to the table on pp. 562 to 563. **PWM control**

## Airflow - Static Pressure Characteristics

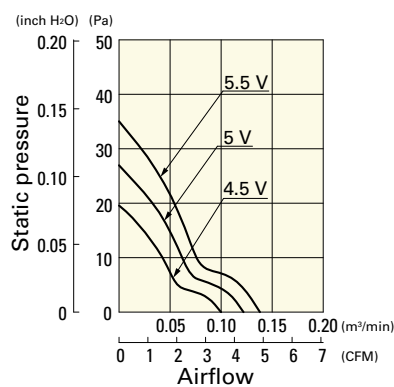
**109P0405H901** With pulse sensor

Operating voltage range



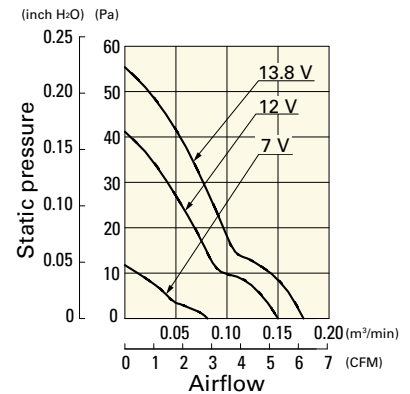
**109P0405M901** With pulse sensor

Operating voltage range



**109P0412H901** With pulse sensor

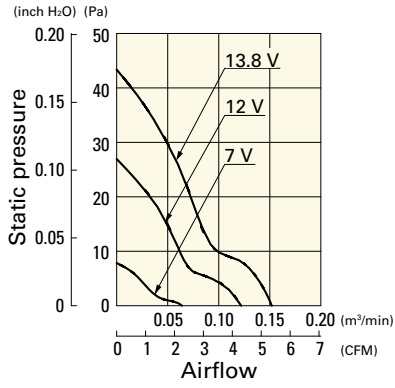
Operating voltage range



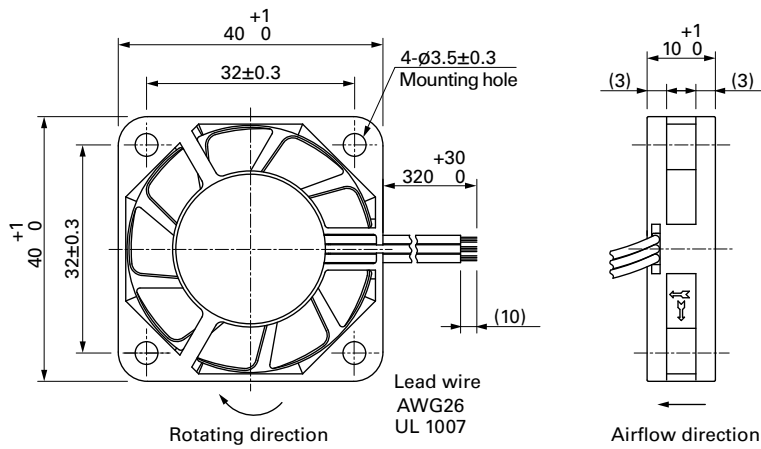
## Airflow - Static Pressure Characteristics

**109P0412M901** With pulse sensor

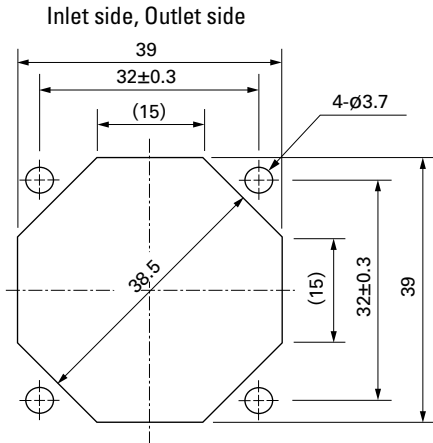
Operating voltage range



## Dimensions (unit: mm)



## Reference Dimensions of Mounting Holes and Vent Opening (unit: mm)



## Options

Finger guards

page: p. 532

Model no.: 109-059, 109-059H