

TK 1811f – Polystyrene and Polycarbonate – 180 x 110 mm (7.09 x 4.33 in.)

Standard Features

- **Protection Level:** IP66 (NEMA Type: 4X with gray cover, 12K with transparent cover)
- **Technical:** Smooth or Knockout Sidewalls
Gray or Tinted Transparent Cover
Multiple Enclosure Mounting Options
- **UL Recognized**
Enclosure Materials: Polystyrene or Polycarbonate
- **Gasket Material:** Polyurethane
- **Color:** Light Gray
- **Material**
Temperature Range: Polystyrene
-40°C to 70°C (-40°F to 158°F)
Polycarbonate
-40°C to 120°C (-40°F to 248°F)
- **Accessories:** See section below



Smooth Sidewalls

Ordering Information	Height mm (in)	Polystyrene				Polycarbonate			
		Cat. No.	Type	Cover Color	Std. Pk.	Cat. No.	Type	Cover Color	Std. Pk.
<input type="checkbox"/> Enclosure - low cover	63 mm (2.48 in)	110-414	PS 1811-6f-o	gray	2	120-414	PC 1811-6f-o	gray	2
<input type="checkbox"/> Enclosure - high cover	84 mm (3.31 in)	110-914	PS 1811-8f-o	gray	2	120-914	PC 1811-8f-o	gray	2
<input type="checkbox"/> Enclosure - top hat cover	137 mm (5.39 in)	109-414	PS 1811-13f-o	gray	2	121-414	PC 1811-13f-o	gray	2
<input type="checkbox"/> Enclosure - low cover	63 mm (2.48 in)	111-014	PS 1811-6f-to	trans.	2	130-014	PC 1811-6f-to	trans.	2
<input type="checkbox"/> Enclosure - high cover	84 mm (3.31 in)	111-514	PS 1811-8f-to	trans.	2	130-514	PC 1811-8f-to	trans.	2
<input type="checkbox"/> Enclosure - top hat cover	137 mm (5.39 in)	112-014	PS 1811-13f-to	trans.	2	131-014	PC 1811-13f-to	trans.	2

Sidewalls with Metric Knockouts

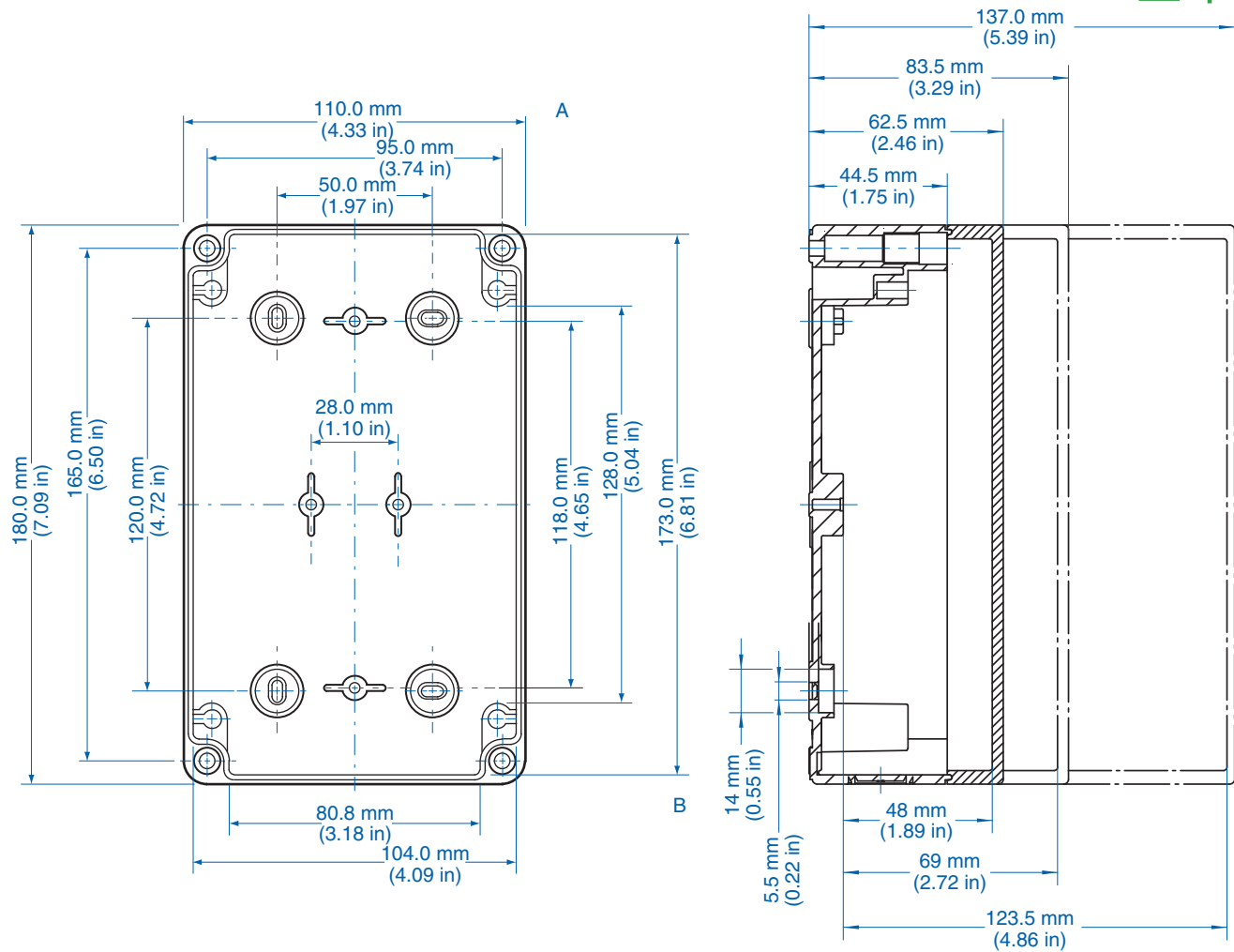
Ordering Information	Height mm (in)	Polystyrene				Polycarbonate			
		Cat. No.	Type	Cover Color	Std. Pk.	Cat. No.	Type	Cover Color	Std. Pk.
<input type="checkbox"/> Enclosure - low cover	63 mm (2.48 in)	105-414	PS 1811-6f-m	gray	2	127-414	PC 1811-6f-m	gray	2
<input type="checkbox"/> Enclosure - high cover	84 mm (3.31 in)	105-914	PS 1811-8f-m	gray	2	127-914	PC 1811-8f-m	gray	2
<input type="checkbox"/> Enclosure - top hat cover	137 mm (5.39 in)	104-414	PS 1811-13f-m	gray	2	128-414	PC 1811-13f-m	gray	2
<input type="checkbox"/> Enclosure - low cover	63 mm (2.48 in)	106-014	PS 1811-6f-tm	trans.	2	137-014	PC 1811-6f-tm	trans.	2
<input type="checkbox"/> Enclosure - high cover	84 mm (3.31 in)	106-514	PS 1811-8f-tm	trans.	2	137-514	PC 1811-8f-tm	trans.	2
<input type="checkbox"/> Enclosure - top hat cover	137 mm (5.39 in)	107-014	PS 1811-13f-tm	trans.	2	138-014	PC 1811-13f-tm	trans.	2

Accessories

Ordering Information	Cat. No.	Type	Std. Pk.
Mounting Plate (plastic)	195-006	TKMPI-1811	1
Mounting Plate (steel)	197-006	TKMPS-1811	1
DIN Rail TS35-144mm	198-144	TS 35/144	1
Hinge Kit Set	190-005	HK2	1
Mounting Tab Kit	194-001	MT1	1

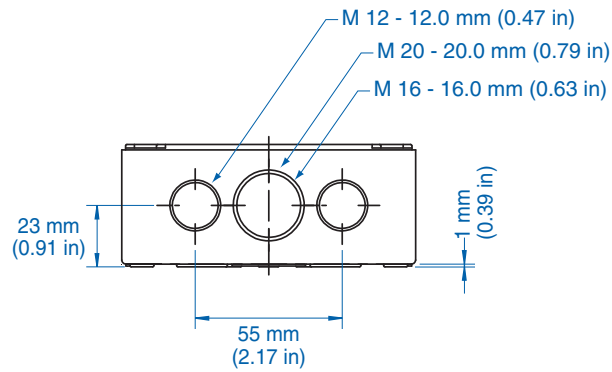
Please refer to pages 149-152 for additional accessories and detailed information.

Dimensions



Knockout Positions

Side A



Side B

