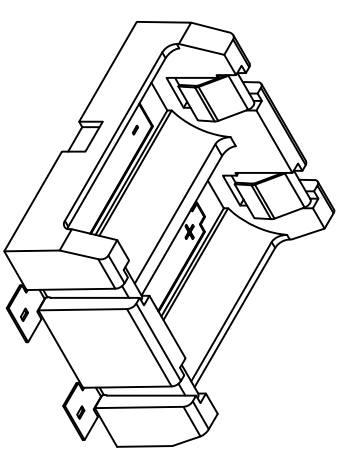
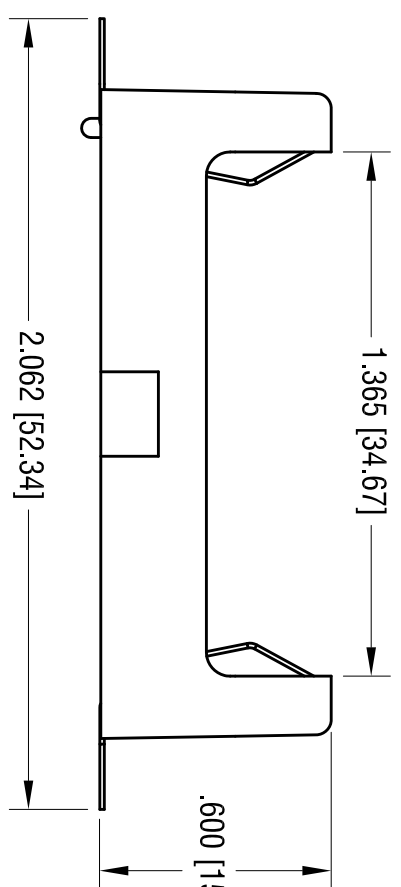
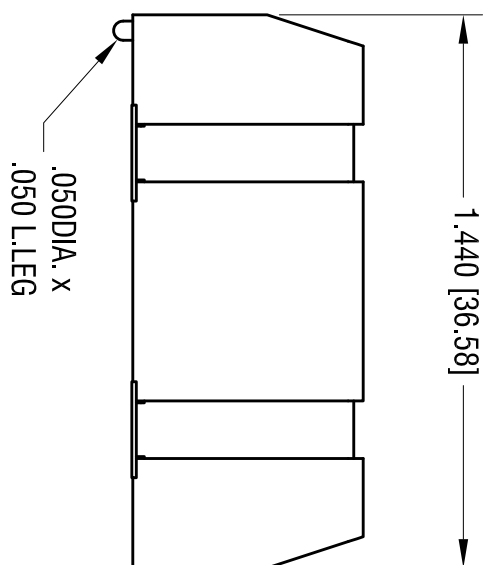
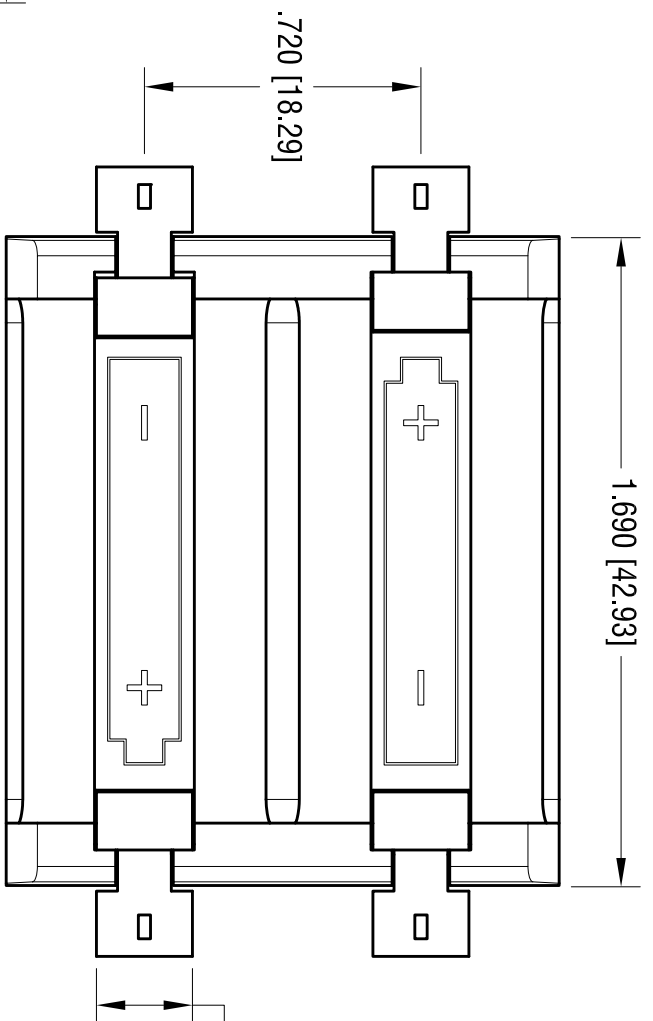
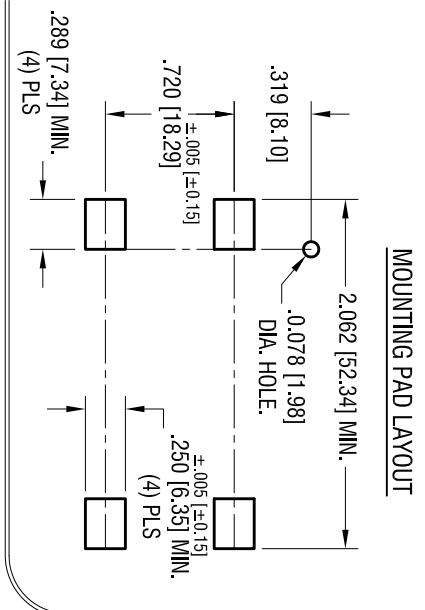


MOUNTING PAD LAYOUT



ACTUAL SIZE

DATE	DESCRIPTION	REV.

NOTE:

- 1. BASE: MATL: HEAT RESISTANCE NYLON (UL94V-0) STANYL 46 OR EQUIVALENT
- 2. CONTACT: MATL: .012 [0.30] THK STAINLESS STEEL FINISH: GOLD FLASH, OVER NICKEL PLATE.

THIS DOCUMENT IS THE PROPERTY OF KEYSTONE ELECTRONICS CORP. AND SHALL NOT BE REPRODUCED, DISTRIBUTED OR USED AS A BASIS FOR MANUFACTURE WITHOUT PRIOR WRITTEN PERMISSION FROM KEYSTONE ELECTRONICS CORP.

KEYSTONE ELECTRONICS CORP.			
www.keystec.com • ASTORIA, N.Y. 11105-2017 • Tel (718) 956-8900			
PART NAME: SM BATTERY HOLDER, (2) 2/3A			
MATERIAL: AS NOTED			
FINISH: AS NOTED		DRN BY: NT	
TOLERANCES INCH [MM]		DATE: 1.05.15	
DECIMAL ± .010 [±]	ANGULAR ± 1° [±]	App'D: LN	SCALE: 2X
CODE: C		DWG NO.: 1100	