



NEMA 56C FACE ADAPTER

PART NUMBERS: 11012-002, 11012-003, 11012-006

Introduction

This sturdy cast aluminum adapter is used to easily mount a Model H25E with an F1 face mount, an H25D or an H38D encoder to a standard 4.5 in. diameter NEMA 56 motor frame. The kit includes the adapter, encoder mounting hardware and a flexible shaft coupling to accommodate different motor accessory shafts. Rubber plugs are provided to seal the coupling access holes after installation.



Features

- Compact Adapter for encoders
- Mates to NEMA 56C face
- Coupling is completely enclosed
- Fits three different encoder models
- Easy to use



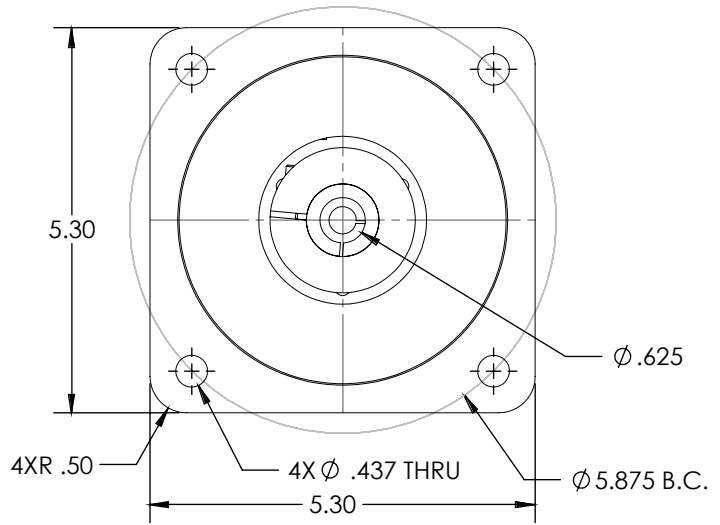
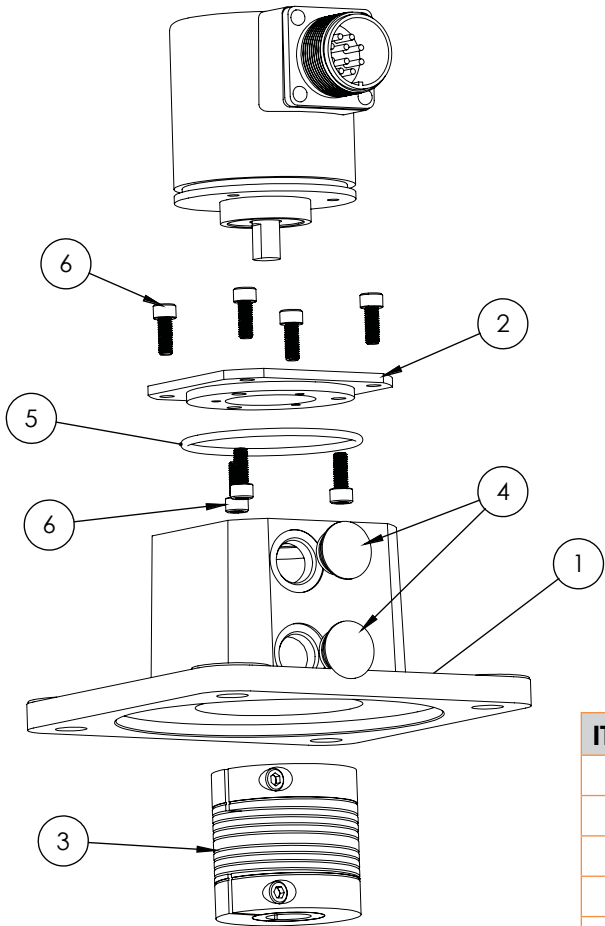
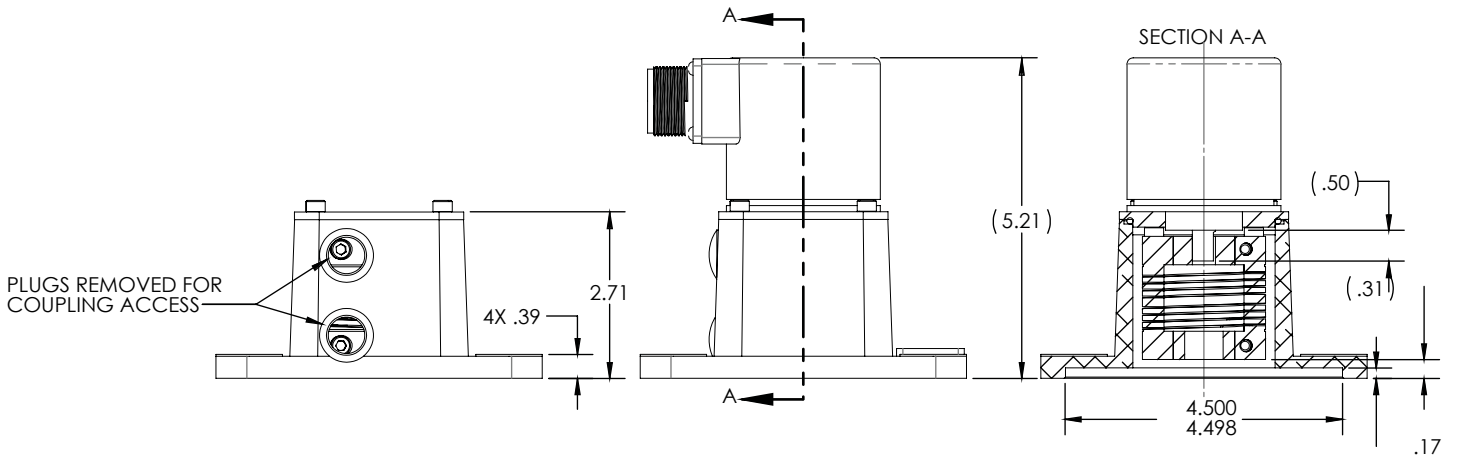
SPECIFICATIONS

Encoder Model	Adapter	Shaft length	Hardware to mount encoder to accessory	PN to Order
H25E-F1	Includes Delrin insert	Requires 0.50" shaft length	Included	11012-002
H25D	N/R	Requires 0.50" shaft length	Included	11012-006
H38D - UL	Includes Delrin insert	N/C	Included	11012-003



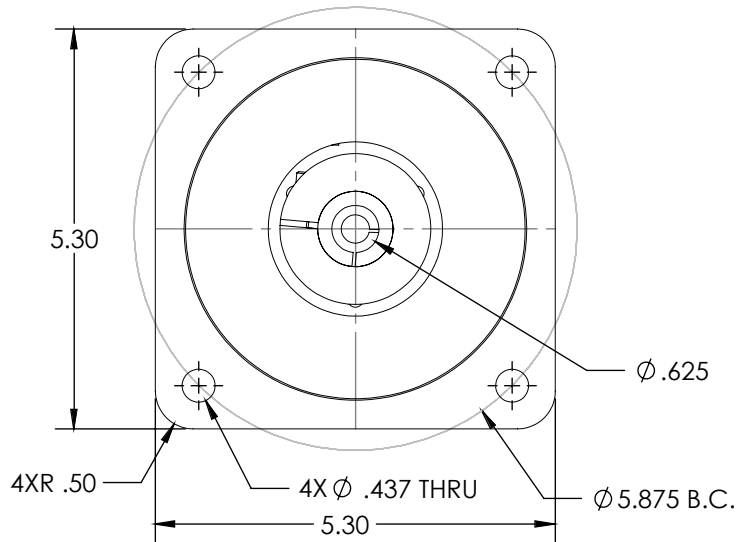
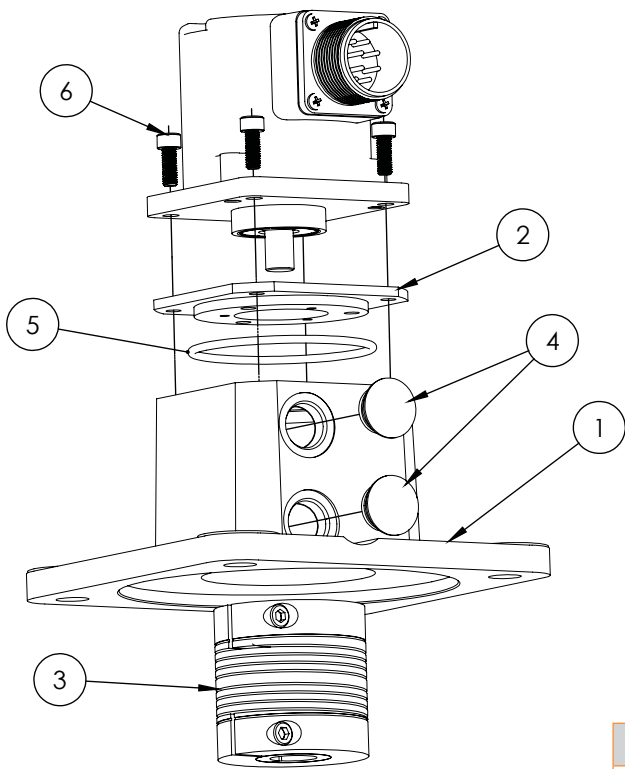
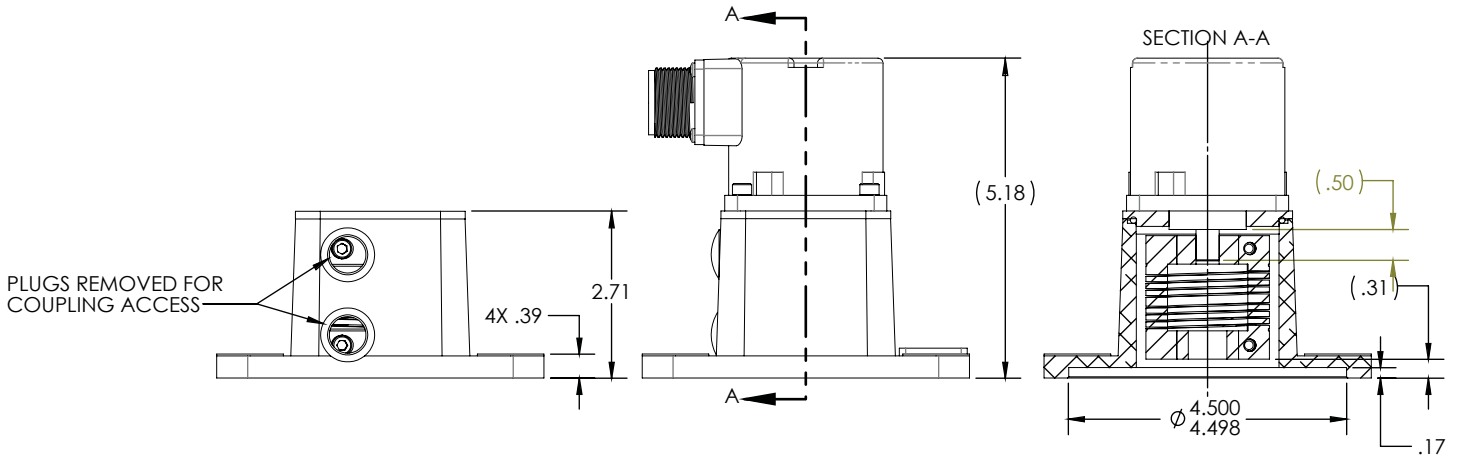
DIMENSIONS
All dimensions are in inches

P/N 11012-002 NEMA 56C ADAPTER AND HARDWARE FOR H25E-F1 ENCODER WITH 0.50 SHAFT EXTENSION (SOLD SEPARATELY)



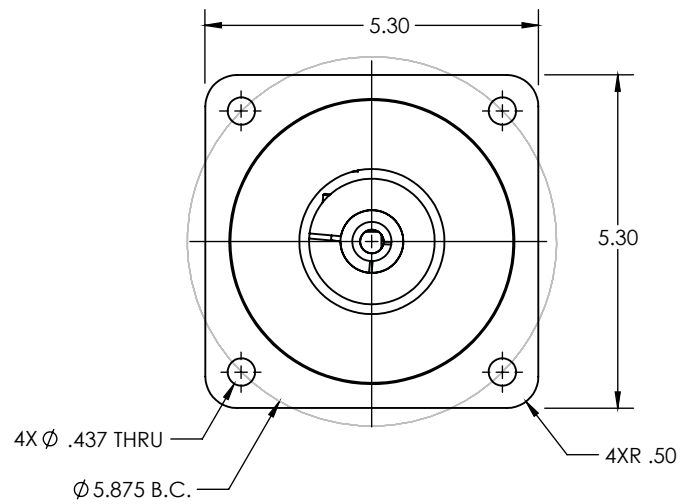
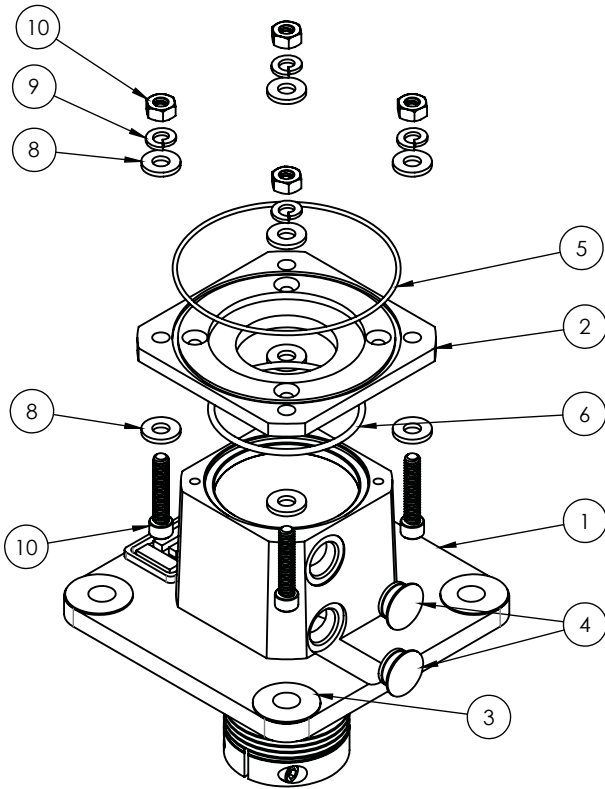
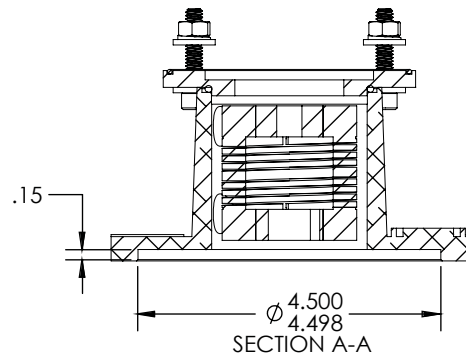
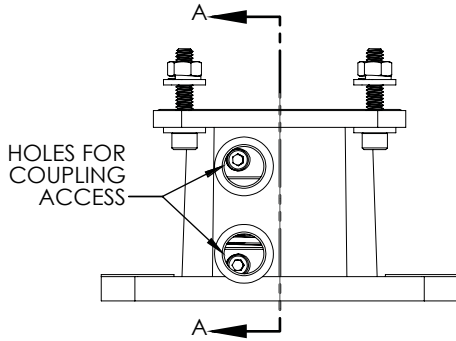
ITEM NO.	DESCRIPTION	PART NO.	QTY
1	NEMA ADAPTOR	38296-002	1
2	H25 INSULATING ADAPTOR	38297-001	1
3	COUPLING, INSULATED 3/8 X 5/8	39089-001	1
4	RUBBER PLUG	32028-001	2
5	O-RING	32010-141	1
6	HEX SOCKET HEAD SCREW	330CX-10321/2	7

P/N 11012-002 NEMA 56C ADAPTER AND HARDWARE FOR H25D ENCODER WITH 0.50 SHAFT EXTENSION (SOLD SEPARATELY)



ITEM NO.	DESCRIPTION	PART NO.	QTY
1	NEMA ADAPTOR	38296-002	1
2	H25 INSULATING ADAPTOR	38297-001	1
3	COUPLING, INSULATED 3/8 X 5/8	39089-001	1
4	RUBBER PLUG	32028-001	2
5	O-RING	32010-141	1
6	HEX SOCKET HEAD SCREW	330CX-10321/2	4

P/N 11012-003 NEMA 56C ADAPTER AND HARDWARE FOR H38 ENCODER
(SOLD SEPARATELY) SEE SHEET 2 OF 2 FOR ASSEMBLY PROCESS



ITEM NO.	DESCRIPTION	PART NO.	QTY
1	NEMA 56 ADAPTOR	38296-002	1
2	H38 INSULATING ADAPTOR	38297-002	1
3	INSULATED 3/8 X 5/8 COUPLING	39089-001	1
4	RUBBER PLUG	32028-001	2
5	O-RING, 2-043	32010-043	1
6	O-RING, 2-141	32010-141	1
7	PHILIPS FLAT-HEAD SCREWS	330FP-10321/2	4
8	1/4" FLAT WASHER	MS15795-810	8
9	1/4" LOCK WASHER	MS35338-139	4
10	HEX NUT, 1/4-20	AN340C416	4
11	SOCKET CAP SCREW, 1/4-20X1-1/4	330CX-1/42011/4	4
12	SOCKET CAP SCREW, 1/4-20X1	330CX-1/4201	4