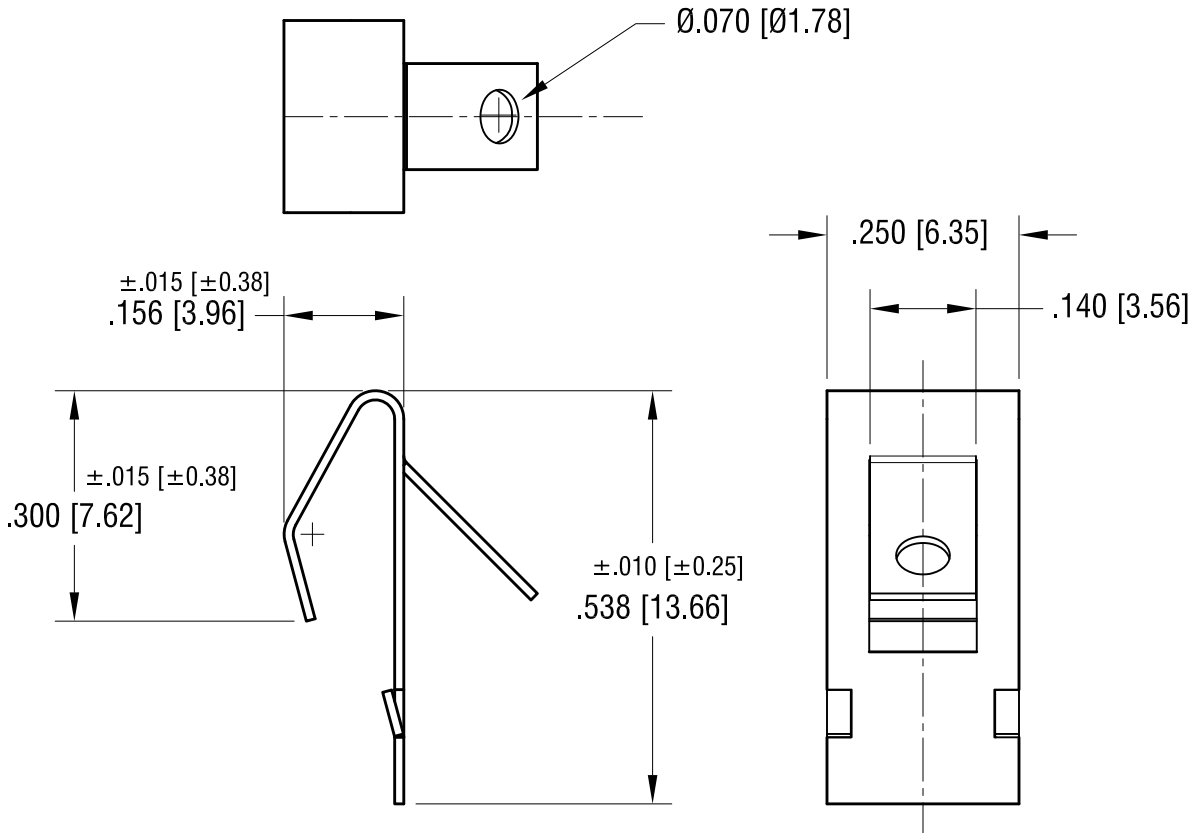
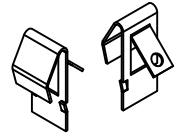


THIS DOCUMENT IS THE PROPERTY OF
KEYSTONE ELECTRONICS CORP. AND
SHALL NOT BE REPRODUCED, DISTRIBUTED
OR USED AS A BASIS FOR MANUFACTURE
WITHOUT PRIOR WRITTEN PERMISSION
FROM KEYSTONE ELECTRONICS CORP.

ACTUAL SIZE



KEYSTONE ELECTRONICS CORP.

www.keyelco.com • ASTORIA, N.Y. 11105-2017 • Tel (718) 956-8900

PART NAME

SOLDER TAIL BATTERY CONTACT

MATERIAL

.012 [0.30] TH'K STAINLESS STEEL

FINISH

TIN NICKEL PLATE

DRN BY

NT

DATE

12.01.14

APP'D

LN

SCALE

4X

1.19.15 CHANGE AS PER ECN 15-012

A

TOLERANCES

INCH [MM]

CODE

DWG NO.

DECIMAL ±.005 [±0.13]

C

1107-1

ANGULAR ± 1°
UNLESS OTHERWISE SPECIFIED

DATE

DESCRIPTION

REV.