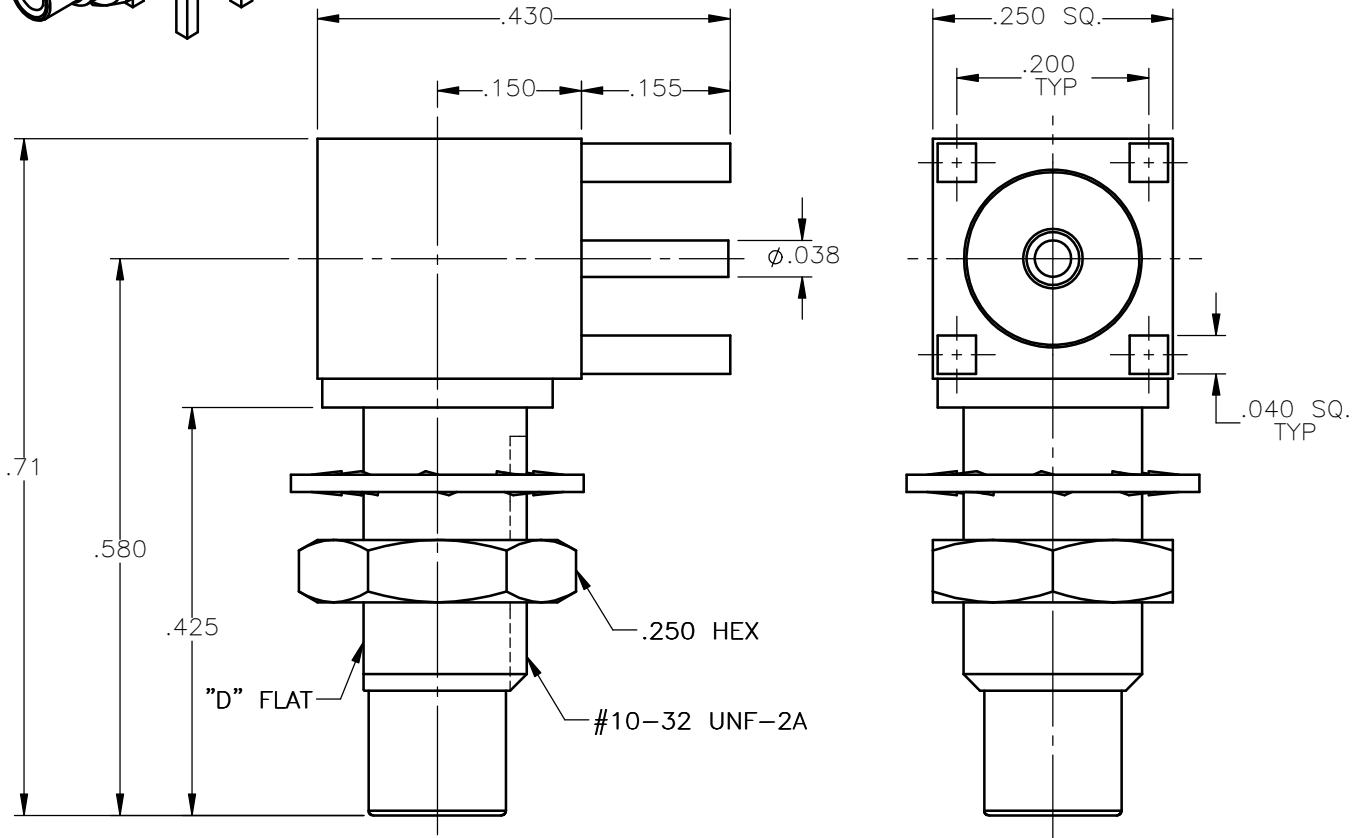
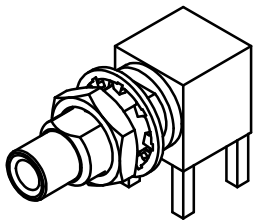


REVISIONS			
REV.	DESCRIPTION	DATE	APPROVED
A	INITIAL RELEASE	05/26/11	D.N.





NOTES:

MATERIALS:

1. LOCKWASHER = PHOSPHOR BRONZE PER ASTM B139, COPPER ALLOY C53400, TEMPER H04.
2. INSULATORS = VIRGIN WHITE TEFLON PER ASTM D1710, GRADE 1, TYPE I, CLASS "B".
3. ALL OTHER METAL PARTS = BRASS PER ASTM B16, ALLOY C36000, TEMPER H02.

FINISHES:

1. CONTACTS = GOLD PLATE PER MIL-G-45204, TYPE II, CLASS 1, GRADE C, OVER .00010 TO .00020 STRESS FREE SULFAMATE NICKEL PER QQ-N-290.
2. ALL OTHER METAL PARTS = GOLD PLATE PER MIL-G-45204, TYPE II, CLASS 0, GRADE C, OVER .00010 TO .00020 COPPER STRIKE PER MIL-C-14550.

UNLESS OTHERWISE SPECIFIED DIMENSIONS ARE IN INCHES TOLERANCES ON	DWN:	DATE		Property of Radiall			
	D.N.	05/26/11		This document cannot be reproduced or communicated to a third party without prior written permission of RADIALL.			
	CHKD:	DATE		SMC RIGHT ANGLE MALE JACK BULKHEAD MOUNT P.C.B. RECEPTACLE			
DECIMAL	ANGLE	M.J.	05/26/11	SIZE	FSCM NO.	DWG NO.	REV
		APVD:	DATE	A	19505	1110-1511-000	A
		J.M.	05/26/11	SCALE	5:1	THIRD ANGLE PROJECTION	SHEET 1 OF 1
REFERENCE:	MATERIALS & FINISHES:						
ORIGINATED: D.N. DATE: 05/26/11	SEE NOTES						

1110-1511-000